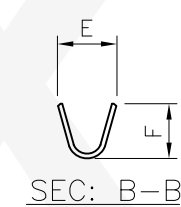
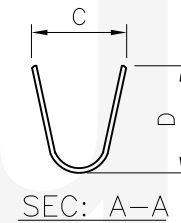
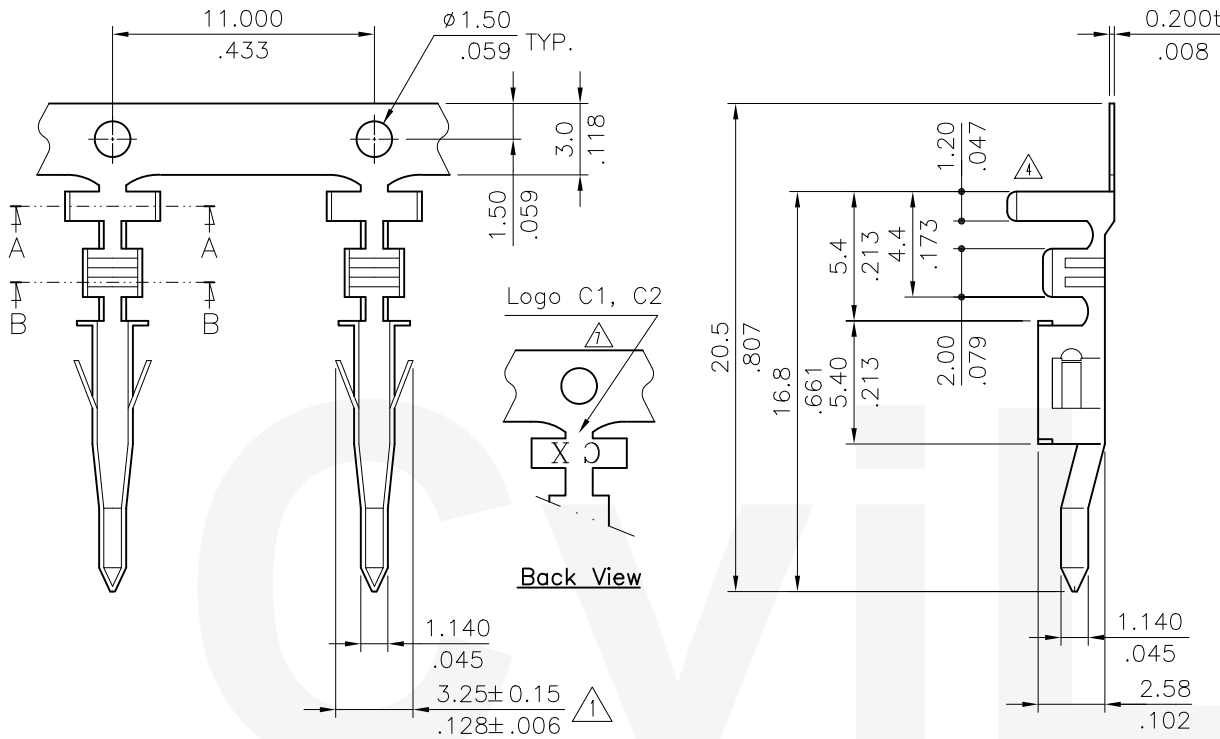


### Ordering Code:

CP-01 200 \* \*\*  
 ① ② ③ ④

- ① Series No.
- ② Type of Connector: 200= Plug
- ③ Plating Code:
  - △1= Tin over Nickel
  - 2= Gold flash plated over 0.76μm(30μ") Nickel
  - A= Selective gold flash plated over 1.27μm(50μ") Nickel
  - B= Selective 0.38μm(15μ") gold plated over 1.27μm(50μ") Nickel
  - C= Selective 0.76μm(30μ") gold plated over 1.27μm(50μ") Nickel
- ④ Type of material & wire gauge: See attached table



Part No.	Wire Gauge	Dimension				Insulation Range	Material	Reel Q'ty
		C	D	E	F			
CP-01200*01	AWG #22~26	3.4(.134)	3.3(.130)	2.5(.098)	2.3(.091)	0.9-1.8(.035-.071)	Brass	5,000 PCS
CP-01200*02	AWG #18~22	4.0(.158)	4.5(.177)	2.5(.098)	2.3(.091)	1.3-3.1(.051-.122)	Brass	4,000 PCS
CP-01200*03	AWG #22~26	3.4(.134)	3.3(.130)	2.5(.098)	2.3(.091)	0.9-1.8(.035-.071)	Phosphor Bronze	5,000 PCS
CP-01200*04	AWG #18~22	4.0(.158)	4.5(.177)	2.5(.098)	2.3(.091)	1.3-3.1(.051-.122)	Phosphor Bronze	4,000 PCS
CP-01200*05	AWG #16	4.0(.158)	4.5(.177)	2.8(.110)	2.6(.102)	1.8-3.1(.071-.122)	Brass	4,000 PCS
CP-01200*06	AWG #16	4.0(.158)	4.5(.177)	2.8(.110)	2.6(.102)	1.8-3.1(.071-.122)	Phosphor Bronze	4,000 PCS

△4	Sandy	9/26-16'	ECNT116218/ECRB116066		DATE	UNIT: mm / inch	TITLE: MALE TERMINAL CP-01 POWER CONNECTOR	瀚荃股份有限公司 CviLux Corporation	
△3	Enya	11/14-12	ECN12285-0/ECR12087-0	DRAWN BY: Sandy	9/30-16'	TOLERANCE UNLESS OTHERWISE SPECIFIED	MATERIAL:		
△2	Sun	4/28-09'	ECR09007-3/ECN09213	ENGINEER: Sun	10/3-16'	.X ± 0.20/008 X' ± 1'	FINISH:	DRAWING NO. CP0121SI	
△1	Sun	11/26/03'	ECN03422/ECR03025-1	CHECKED BY: Eisley	10/3-16'	.XX ± 0.10/004 X ±		PART NO. CP-01200*0*	PART NO. CP-01200*0*
SYM	NAME	DATE	REVISIONS	APPROVED BY: Eisley	10/3-16'	.XXX ± 0.05/002 XX ±	SCALE	3 / 1	SHEET 1 OF 1

CVILUX CORP  
 2016.10.06  
 ISSUED