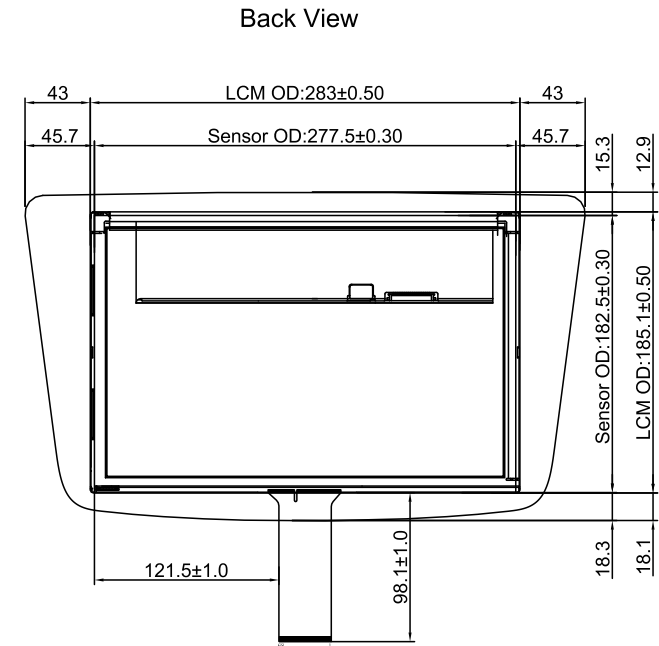
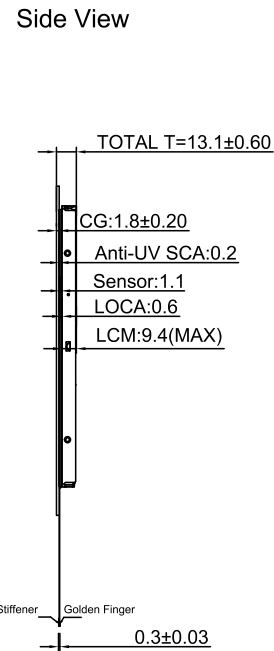
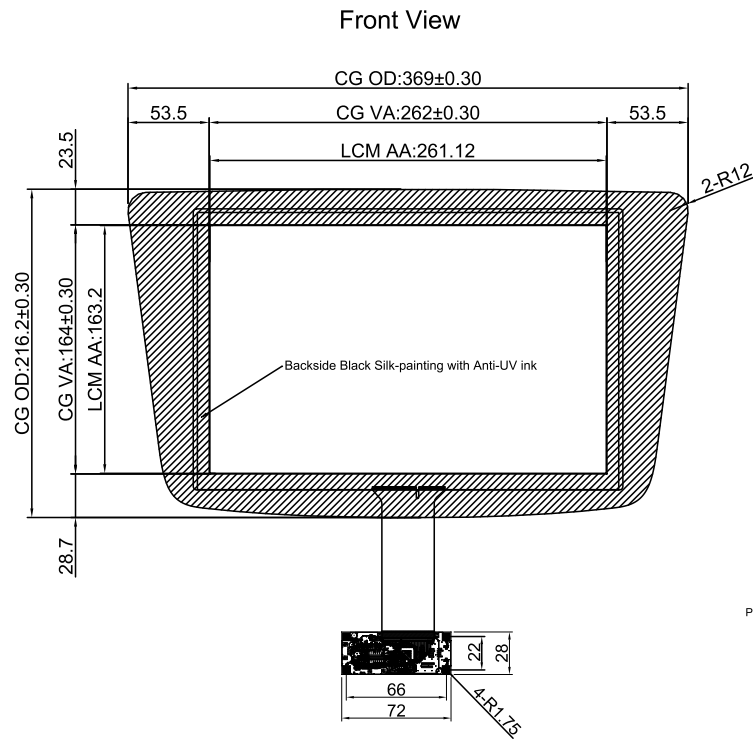


Ver.	Modify No.	Details	Area	P.I.C	Date



Technical Datasheet:

1. Structure: TP+LCM Optical Bonding
2. Cover Glass: 1.8mm Tempered Glass
3. LCD: G121EAN01.3
4. TP Controller: BTP-TPM-CTR-ILI-121B-SN52
5. TP Controller IC: ILI2511
6. Surface Hardness: ≥6H
7. Light Transmittance: ≥85%
8. Working Temperature: -20℃~+80℃, ≤85%RH;
9. Storage Temperature: -30℃~+80℃, ≤85%RH;
10. Unmarked Tolerance: ±0.5mm
11. All materials used conform to RoHS standards

Part No.		BTP-TPM-G1-12.1-ILI-SN52		
Product Name:		Drawing No.	PM121260303SN52	
12.1 inch Touch Display (TP+LCM Optical Bonding)		Project Code.	PM121SN52	
Business Unit:		Period Mark	View Angle	Ratio
SNT-BTP		A		1:1
Designed by:	Curry.Wang	BOM Code	2.03.121.01.0152	
Checked by:	Jimmy.Lu	Product Series	BTP-TPM	
Approved by:	Cale.Chen	Page 1		Total 1 Page
Workmanship:				
Standardization:	Link.Chen			
Released by:	Rocky.Liu			
		思诺泰科创电子(苏州)有限公司 SINOTECHNICS INC.		