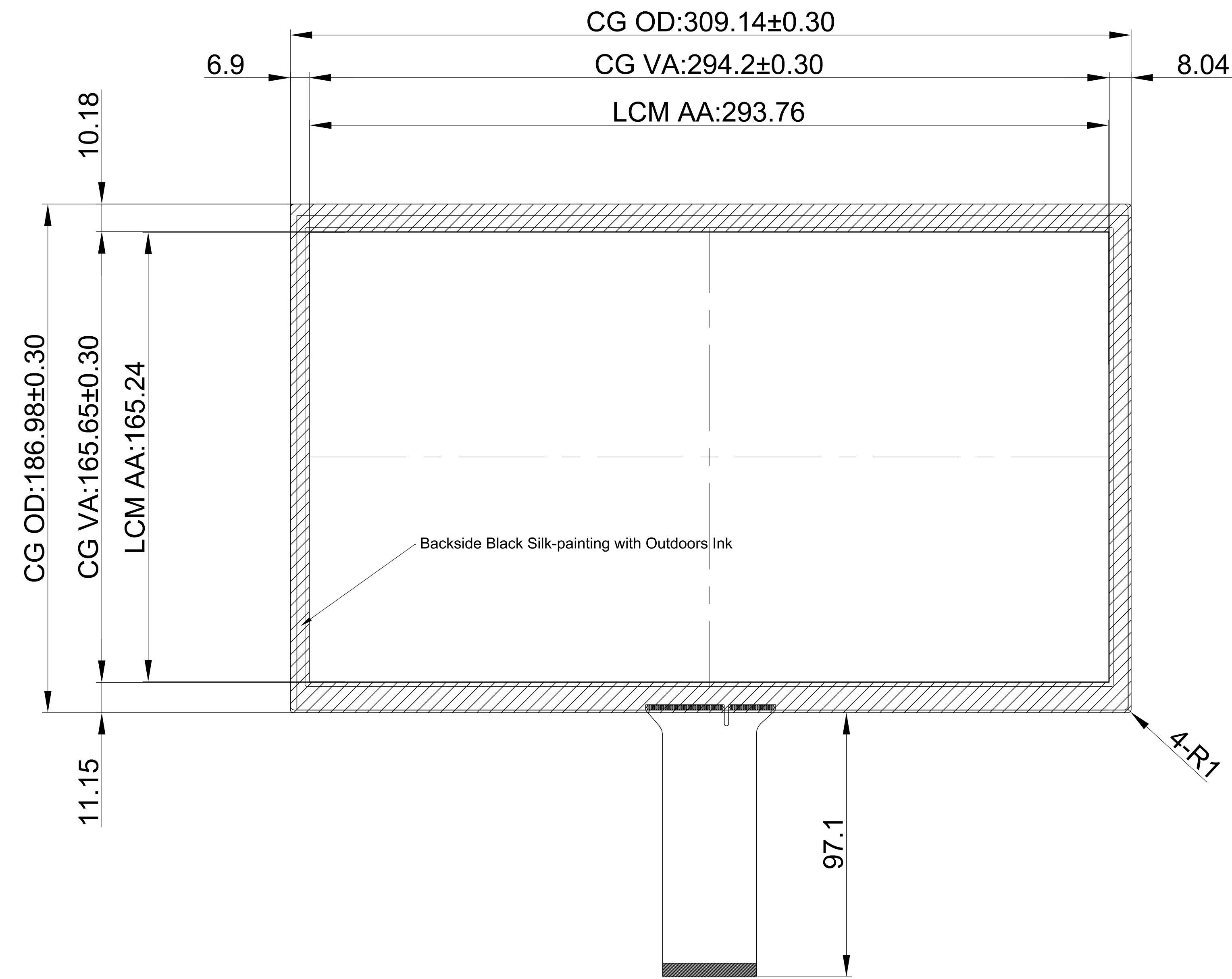
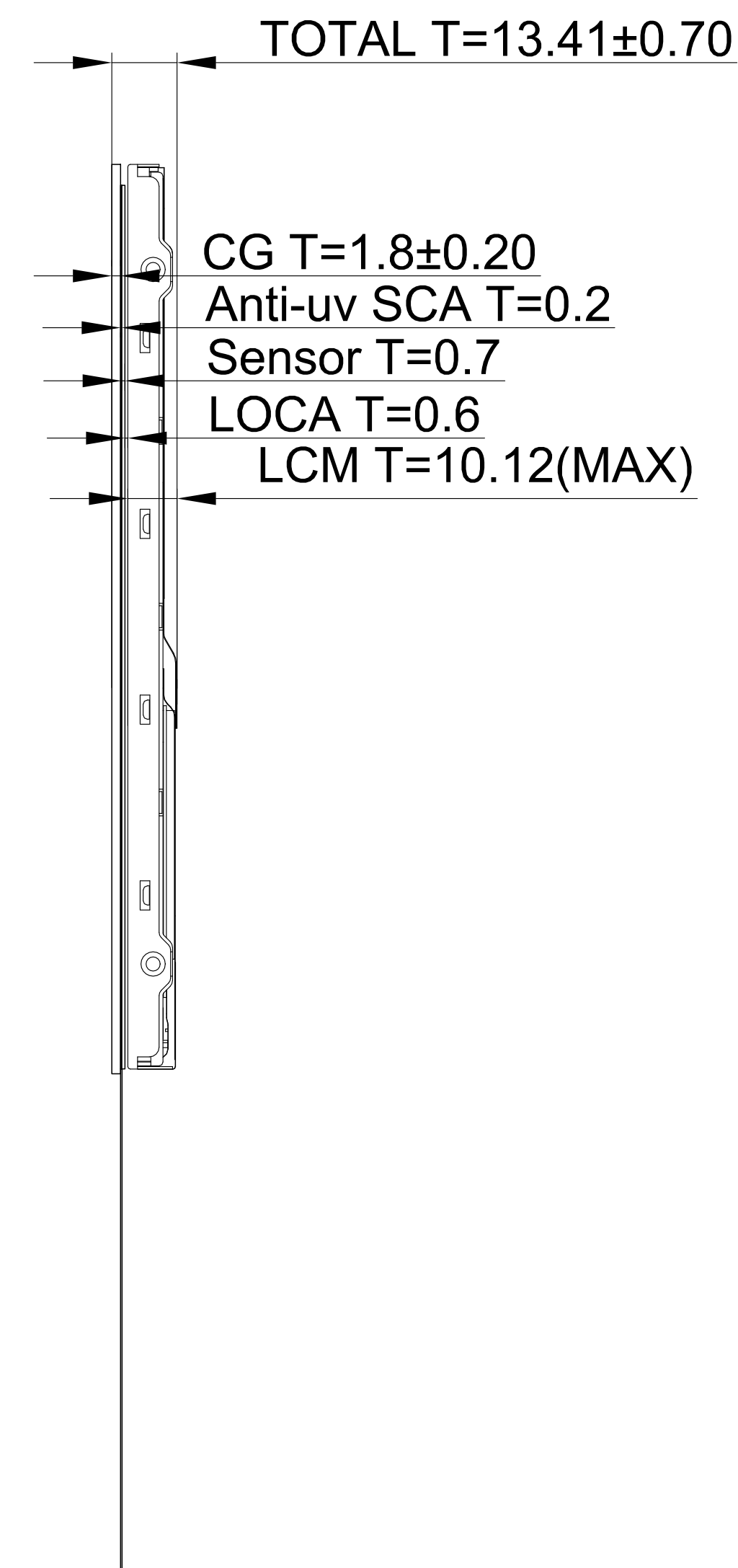


Ver.	Modify No.	Details	Area	P.I.C	Date

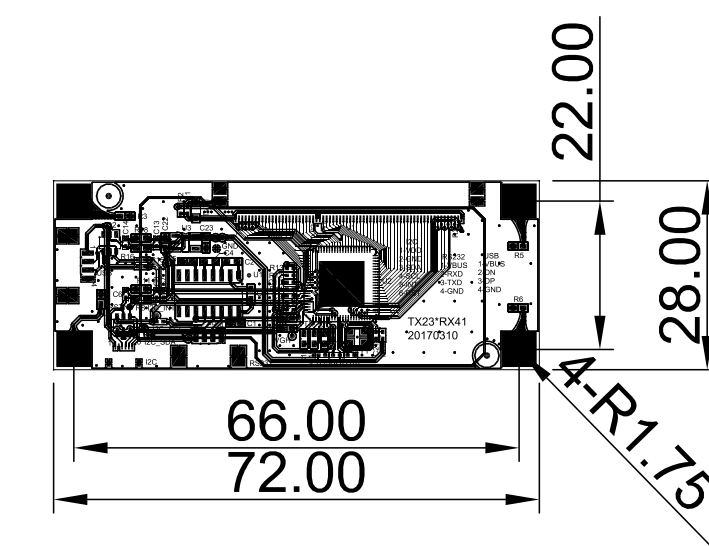
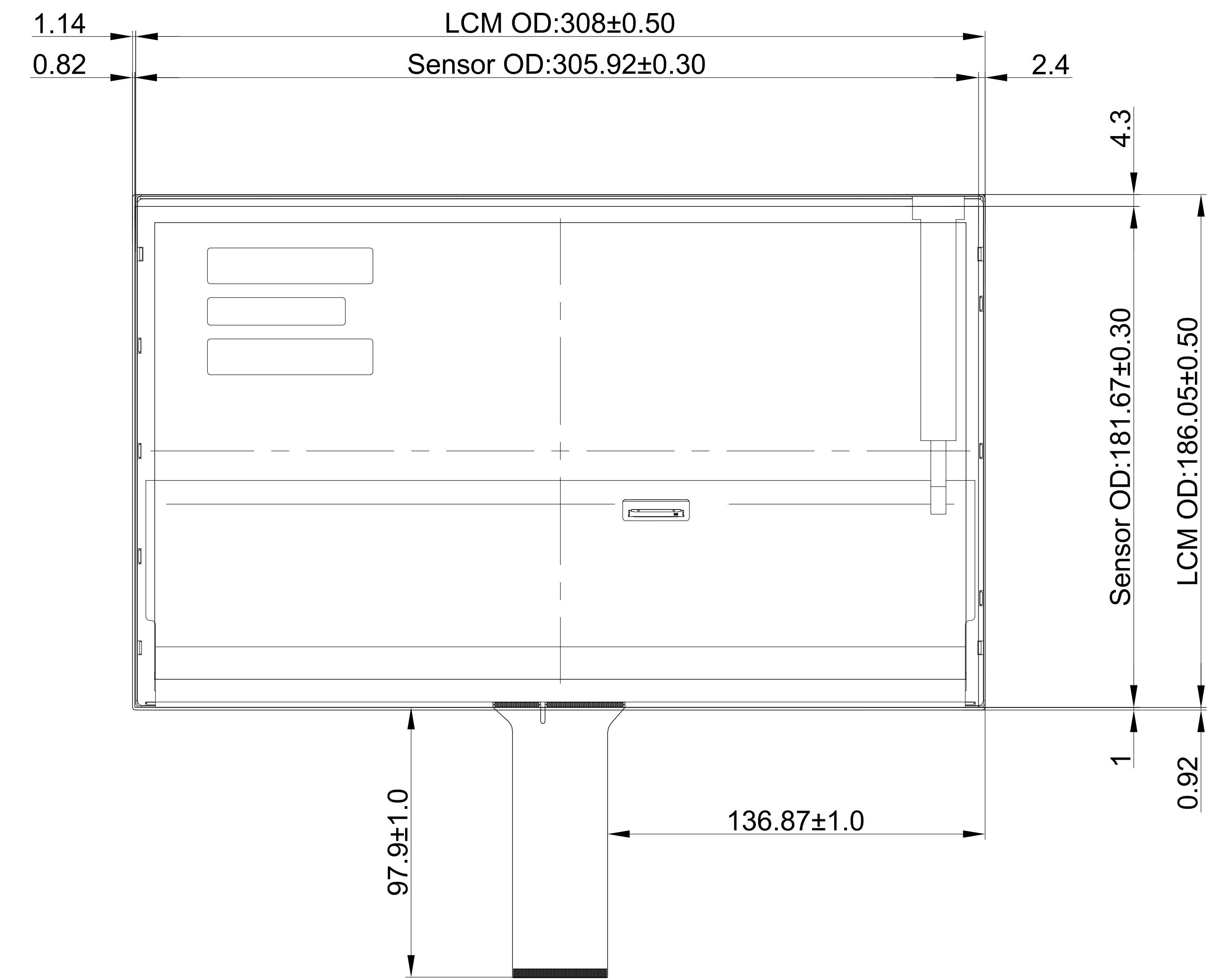
Front View



Side View



Back View



USB

PIN	Definition
1	5V
2	DN
3	DP
4	GND

IIC

PIN	Definition
1	VDD
2	GND
3	SDA
4	SCL
5	INT
6	RST

Technical Datasheet:

1. Structure: TP+LCM Optical Bonding
2. Cover Glass: 1.8mm Tempered Glass
3. LCD: P1330FHF1MA00
4. TP Controller: BTP-TPM-CTR-ILI-13.3B-SN01
5. TP Controller IC: ILI2511 (Interface: USB/IIC)
6. Surface Hardness: ≥6H
7. Light Transmittance: ≥82%
8. Working Temperature: -20℃~+70℃, ≤85%RH;
9. Storage Temperature: -30℃~+80℃, ≤85%RH;
10. Unmarked Tolerance: ±0.5mm
11. All materials used conform to RoHS standards

Part No.	BTP-TPM-P1-13.3-ILI-SN01				
Product Name:	13.3 inch Touch Display		Drawing No.	PM133240308SN01	
Business Unit:	SNT-BTP		Project Code.	PM133SN01	
Designed by:	Curry.Wang	BOM Code	2.03.133.01.0101	Period Mark	View Angle
Checked by:	Rocky.Liu	Product Series	BTP-GG	A	Ratio
Approved by:	Cale.Chen				
Workmanship:	Yong.Xin			Page 1	Total 1 Page
Standardization:	Link.Chen				
Released by:	Rocky.Liu			思诺泰科创电子(苏州)有限公司 SINOTECHNICS INC.	