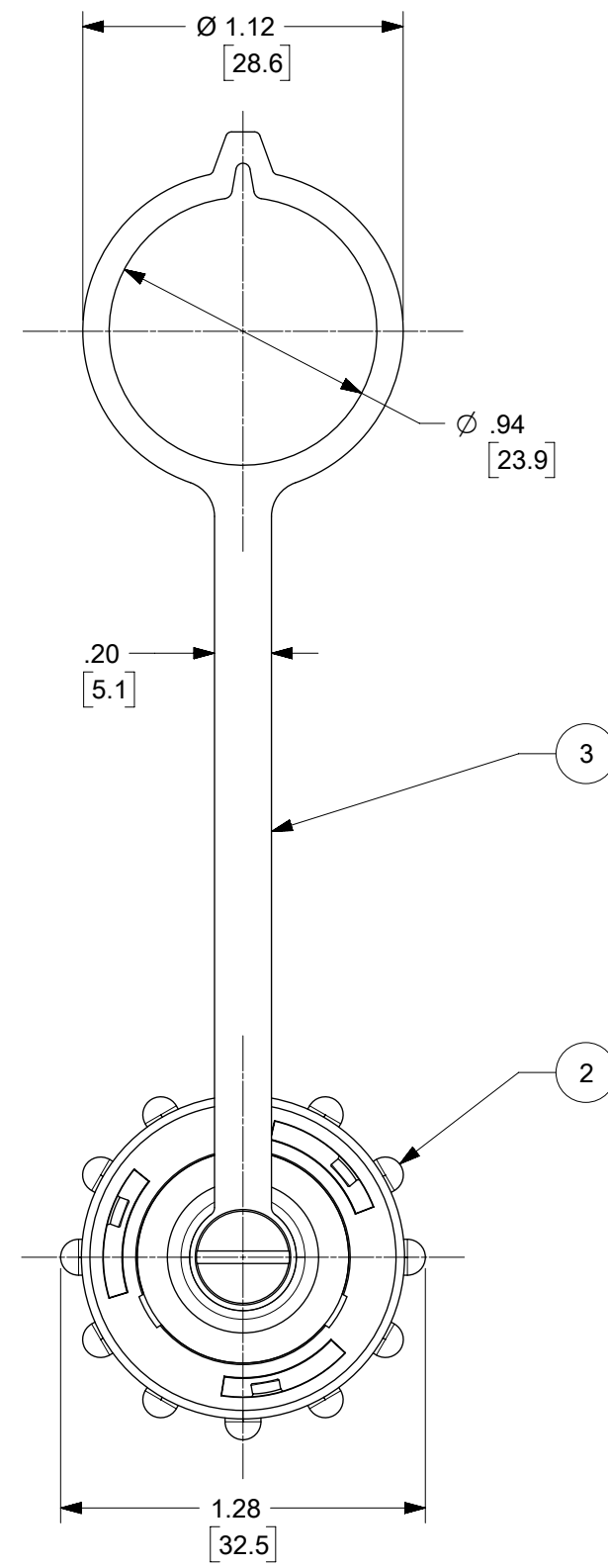
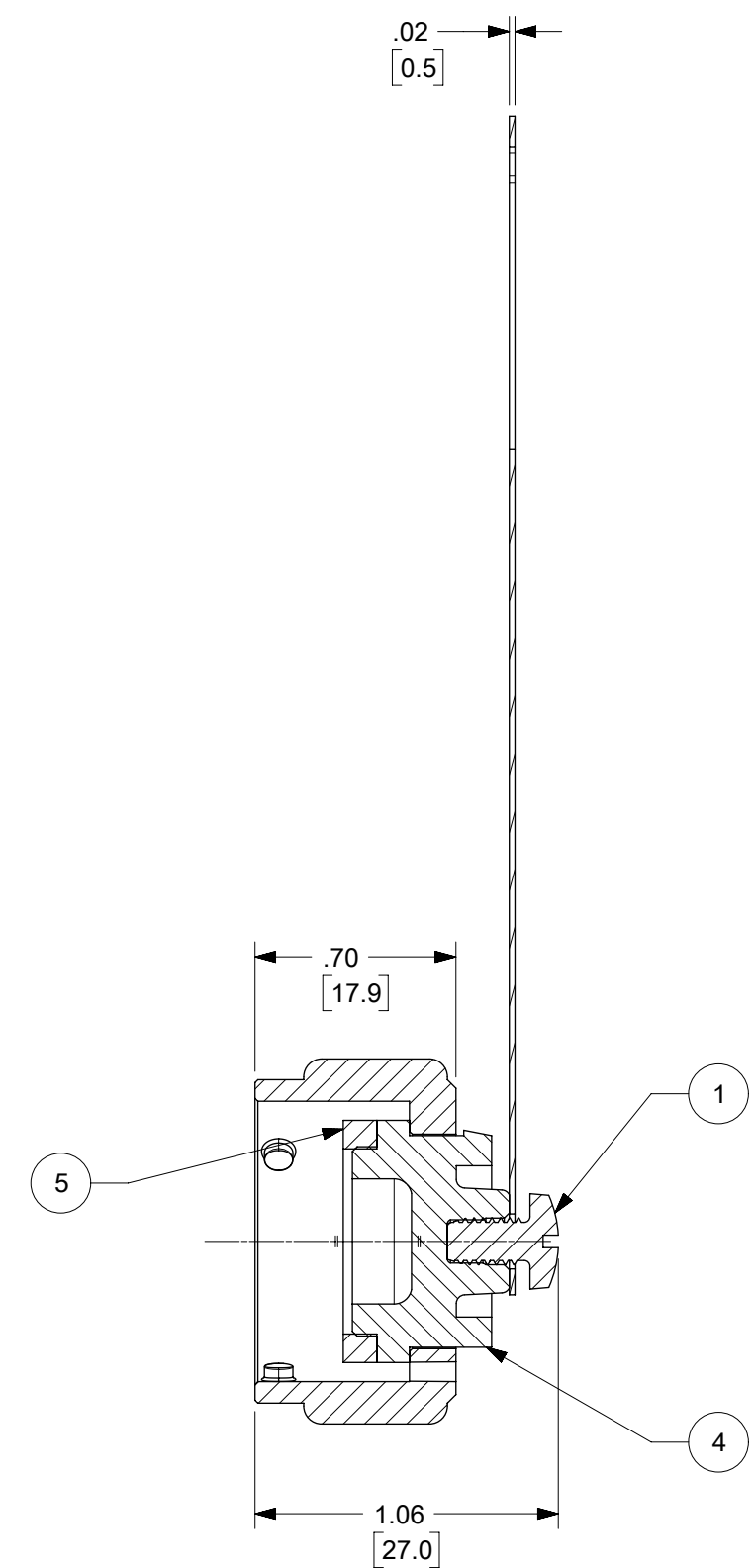
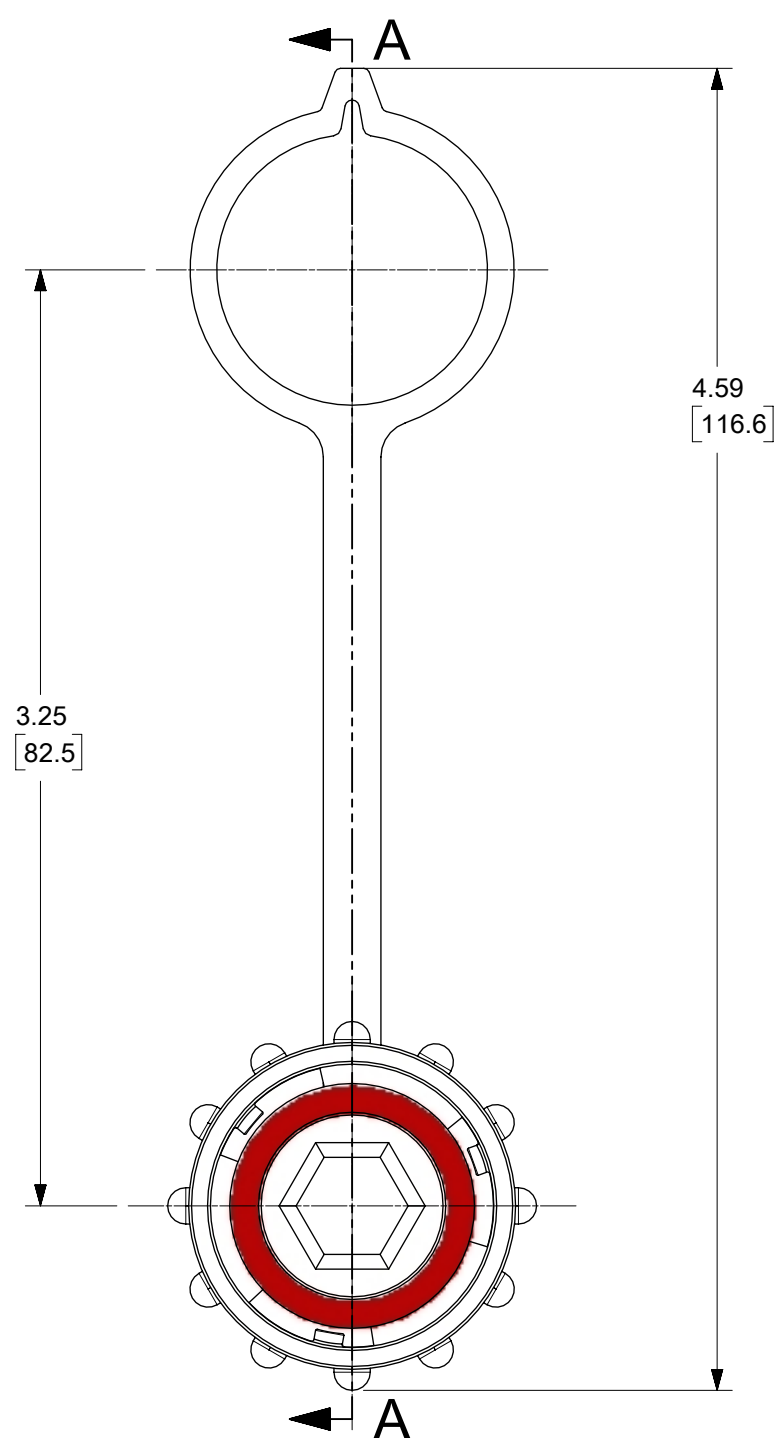


COVER COLOR	MATERIAL NO.	ENGINEERING NO.	TETHER MATERIAL AND COLOR	GASKET SEAL MATERIAL AND COLOR	COUPLING RING COLOR
BLACK	847000003	84700-0003	HDPE, BLACK	NITRILE-BLACK	BLACK
WHITE	847000011	84700-0011	POLYPROPYLENE, WHITE	SILICONE-BROWN	WHITE
BLACK	847000017	84700-0017	POLYPROPYLENE, BLACK	SILICONE-BROWN	BLACK



- NOTES:
- MATERIAL: AS NOTED
 - FINISH: AS NOTED
 - DIMS SHOWN ARE FOR REFERENCE UNLESS TOLERANCED OR NOTED OTHERWISE

ITEM	DESCRIPTION	MATERIAL	FINISH
5	GASKET SEAL	SEE CHART	SEE CHART
4	DUST COVER	PBT	SEE CHART
3	TETHER	SEE CHART	SEE CHART
2	COUPLING RING	PBT	SEE CHART
1	SCREW, #8-32 X .29 LG.	BRASS	NICKEL PLATED

FUNCTIONAL SYMBOLS	THIS DRAWING CONTAINS INFORMATION THAT IS PROPRIETARY TO MOLEX ELECTRONIC TECHNOLOGIES, LLC AND SHOULD NOT BE USED WITHOUT WRITTEN PERMISSION			
	DIMENSION UNITS	SCALE	CURRENT REV DESC: UPDATE NOTES AND TABLE, UPDATE FRAME	
$\frac{F}{A} = 0$	INCH/MM	1.5:1		
$\frac{F}{C} = 0$	GENERAL TOLERANCES (UNLESS SPECIFIED)			
DIVISIONAL SYMBOLS	4 PLACES	±	MM	INCH
	3 PLACES	±		
	2 PLACES	±		
	1 PLACE	±		
	0 PLACES	±		
	ANGULAR TOL	± °		
DRAFT WHERE APPLICABLE MUST REMAIN WITHIN DIMENSIONS		THIRD ANGLE PROJECTION	DRAWING	SERIES
			C-SIZE	84700
DOCUMENT NUMBER		CUSTOMER	DOC TYPE	DOC PART
SD-84700-014		GENERAL MARKET	PSD	001
SHEET NUMBER		REVISION		
1 OF 1		C		