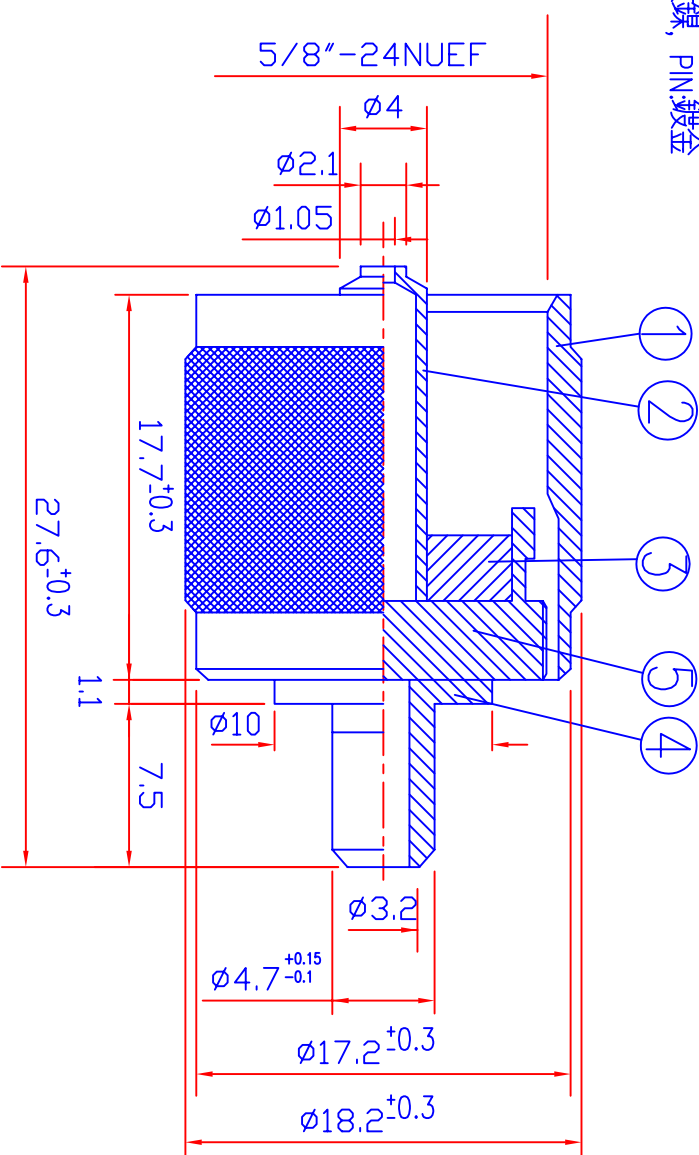
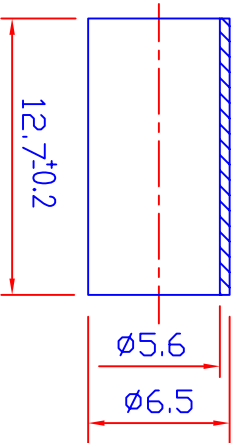


SPECIFICATION

UHF MALE CONNECTOR
 CRIMP TYPE, RG58, DERLIN INSULATION, NICKEL PLATED
 UHF 公, CRIMP TYPE, RG58, 塑膠絕緣, 本體鍍鎳, PIN鍍金



⑥



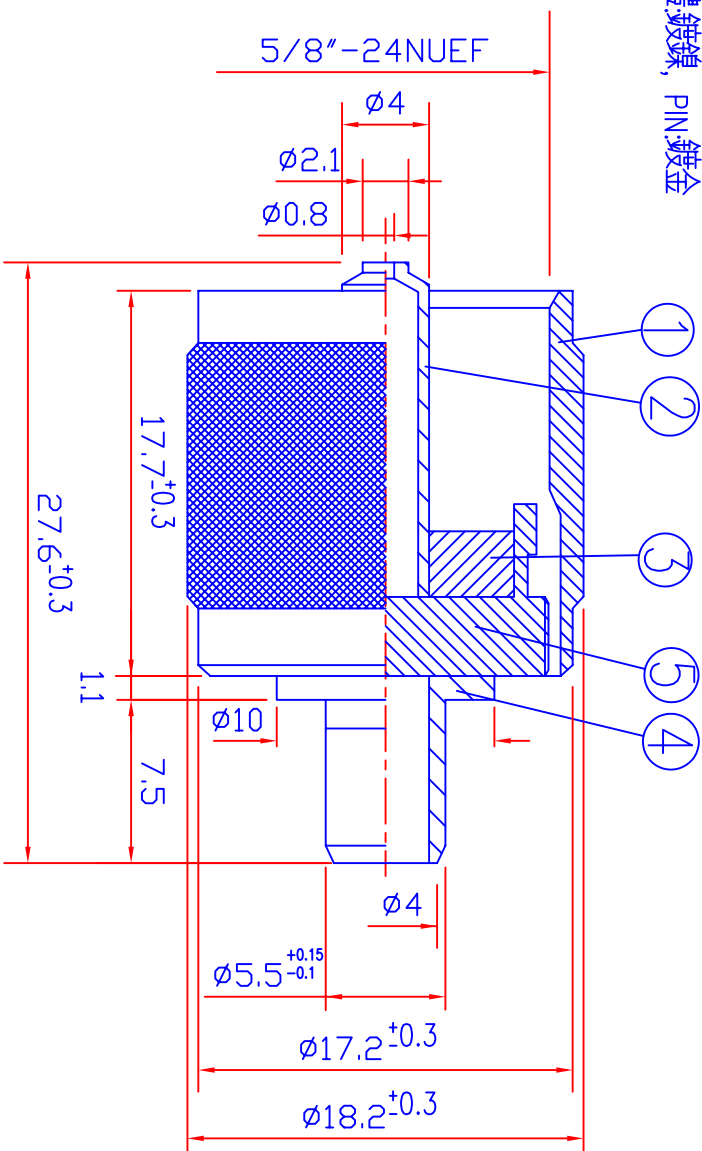
UNLESS OTHERWISE SPECIFIED
 GENERAL TOLERANCES
 0.5~6 = ±0.2
 >6~30 = ±0.4
 >30~120 = ±0.6

6	RING	1	BRASS		NICKEL	
5	BODY	1	BRASS		NICKEL	
4	BODY	1	BRASS		NICKEL	
3	INSULATOR	1	DERLIN		WHITE	
2	PIN	1	BRASS		SILVER	
1	SHELL	1	BRASS		NICKEL	
NO.	DESCRIPTION	QTY	MATERIAL	SPECIFICATION	FINISH	REMARK
DRAW BY	周佩君	021908	SCALE	3 : 1	PROJ	ITEM NO. TL4101-58-BDNG
DEGN BY			UNIT	MM		UHF MALE CRIMP TYPE RG58/U
APPD BY						TL4101-58-BDNG-TNS61-A

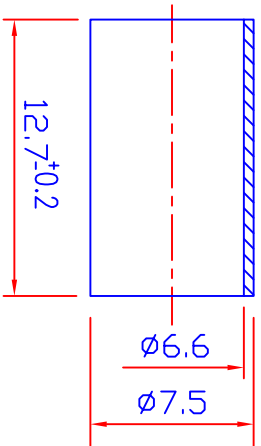
DATE	DRAWG BY	REVISED	同利企業有限公司	TELE LONG ENTERPRISE CO.,LTD	DRAWING NO.
					TL4101-58-BDNG-TNS61-A

SPECIFICATION

UHF MALE CONNECTOR
 CRIMP TYPE, RG59, DERLIN INSULATION, NICKEL PLATED
 UHF 公, CRIMP TYPE, RG59, 塑膠絕緣, 本體鍍鎳, PIN鍍金



⑥



UNLESS OTHERWISE SPECIFIED
 GENERAL TOLERANCES
 0.5~6 = ±0.2
 >6~30 = ±0.4
 >30~120 = ±0.6

6	RING	1	BRASS		NICKEL	
5	BODY	1	BRASS		NICKEL	
4	BODY	1	BRASS		NICKEL	
3	INSULATOR	1	DERLIN		WHITE	
2	PIN	1	BRASS		SILVER	
1	SHELL	1	BRASS		NICKEL	
NO.	DESCRIPTION	QTY	MATERIAL	SPECIFICATION	FINISH	REMARK
DRAW BY	周佩君	021908	SCALE	3 : 1	PROJ	ITEM NO. TL4101-59-BDNG
DEGN BY			UNIT	MM		TITLE UHF MALE CRIMP
APPD BY						DRAWING NO. TL4101-59-BDNG

同利企業有限公司

TELE LONG ENTERPRISE CO.,LTD

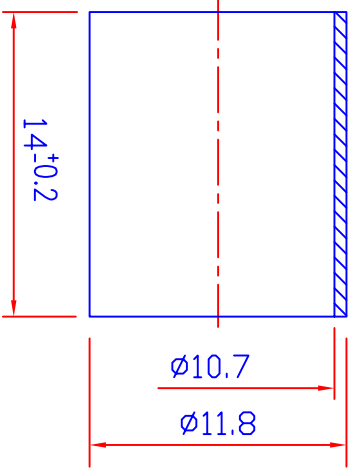
DATE	DRAWG BY	REVISED
------	----------	---------

DRAWING NO. TL4101-59-BDNG
 -TNS61-A

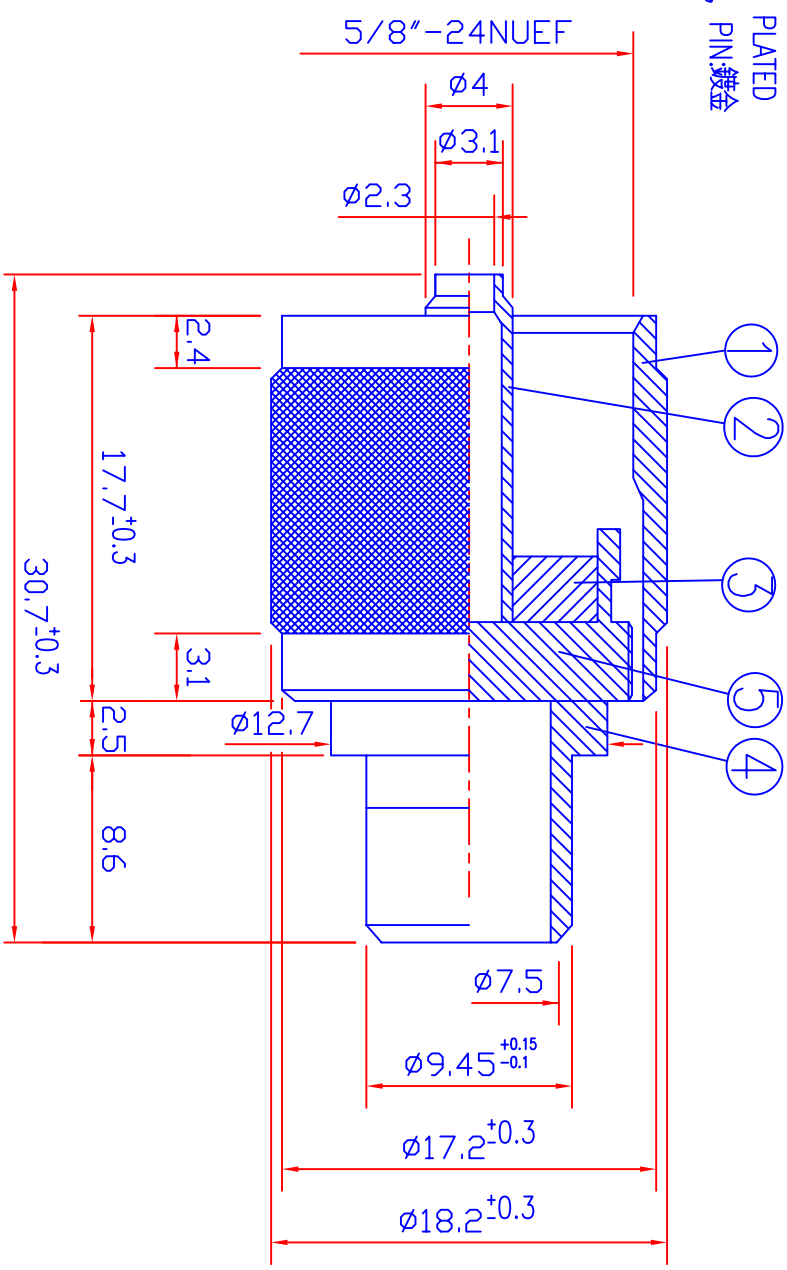
SPECIFICATION

UHF MALE CONNECTOR
 CRIMP TYPE, RG213, DELRIN INSULATION, NICKEL PLATED
 UHF 4, CRIMP TYPE, RG213, 塑膠絕緣, 本體鍍鎳, PIN鍍金

⑥



UNLESS OTHERWISE SPECIFIED
 GENERAL TOLERANCES
 0.5~6 = ±0.2
 >6~30 = ±0.4
 >30~120 = ±0.6



6	RING	1	BRASS	NICKEL		
5	BODY	1	BRASS	NICKEL		
4	BODY	1	BRASS	NICKEL		
3	INSULATOR	1	DELRLIN	WHITE		
2	PIN	1	BRASS	SILVER		
1	SHELL	1	BRASS	NICKEL		
NO.	DESCRIPTION	QTY	MATERIAL	SPECIFICATION	FINISH	REMARK
DRAW BY	周佩君	021808	SCALE	3 : 1	PROJ	ITEM NO.
DEGN BY			UNIT	MM		TL4101-213-BDNG
APPD BY						UHF MALE CRIMP

DATE	DRAWG BY	REVISED	△	同利企業有限公司	TELE LONG ENTERPRISE CO.,LTD	DRAWING NO.	TL4101-213-BDNG -TNS61-A
------	----------	---------	---	----------	------------------------------	-------------	-----------------------------