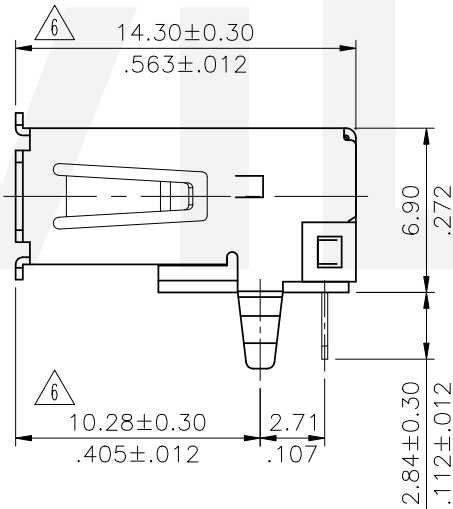
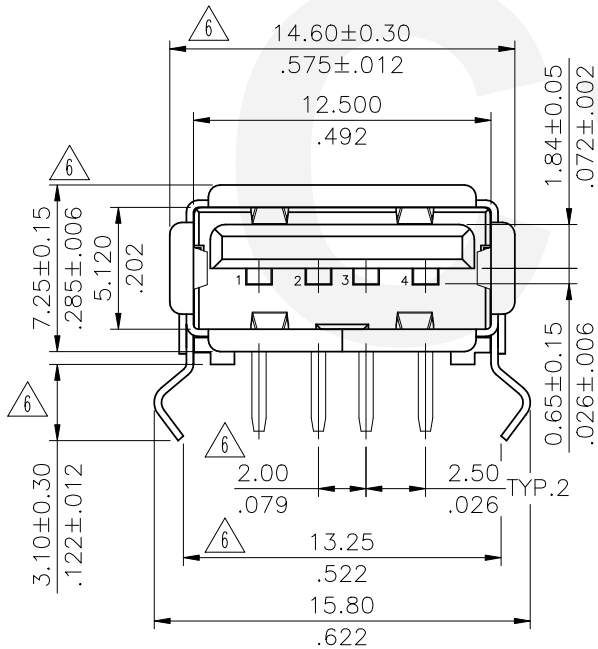


Recommended P.C. Board Layout  
TOP VIEW(TOLERANCE:±0.10)



Materials :

Insulator: Glass filled polyester UL 94V-0  
Contacts: Phosphor Bronze  
Shell: Brass  
Shell Plating: 80μ" Nickel over 50μ" Cu


Ordering Code:

CU01 S A H 1 S 00  
① ② ③ ④ ⑤ ⑥ ⑦

- ① Series No.
- ② S= Socket
- ③ Plating option:  
A= Selective Gold flash plated over 1.27μm(50μ") Nickel  
C= Selective 0.76μm(30μ") Gold plated over 1.27μm(50μ") Nickel
- ④ H= Right angle
- ⑤ Insulator Color: 1= Black, 0= White
- ⑥ S= Single port
- ⑦ Option: 00= Standard

Lead Free Process

RoHS Compliant

⑥	Kenny	9/08-20	ECRT120054/ECNT120247		DATE	UNIT: mm / inch	TITLE: U.S.B TYPE A RIGHT ANGLE BOARD MOUNT SOCKET	 瀚荃股份有限公司 CviLux Corporation
⑤	Sandy	6/28-16	ECRB116040/ECNT116138	DRAWN BY: Kenny	10/12-20'	TOLERANCE UNLESS OTHERWISE SPECIFIED	MATERIAL:	
④	Hank	11/8/06	ECN06412	ENGINEER: Sun	10/12-20'	.X ± 0.25/.010 X' ± 1'	FINISH:	DRAWING NO. CU0101SP PART NO. CU01S*H*S00
③	Jim	8/22/06	ECR06070-0/ECN06293	CHECKED BY: Eisley	10/15-20'	.XX ± 0.20/.008 X' ±		SCALE 3 / 1 SHEET 1 OF 1
SYM	NAME	DATE	REVISIONS	APPROVED BY: Eisley	10/15-20'	.XXX ± 0.10/.004 X' ±		

CVILUX CORP  
 2021.06.23  
 ISSUED