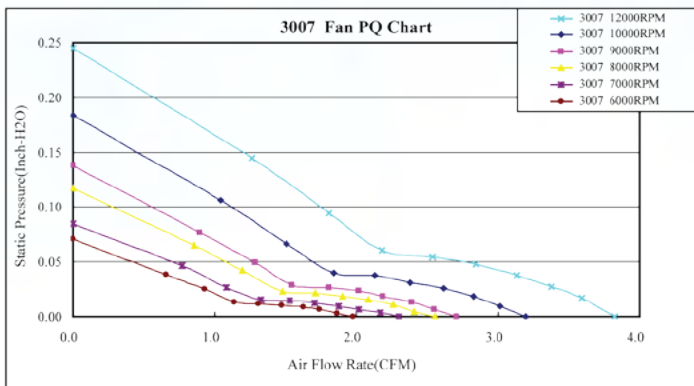


EVERCOOL

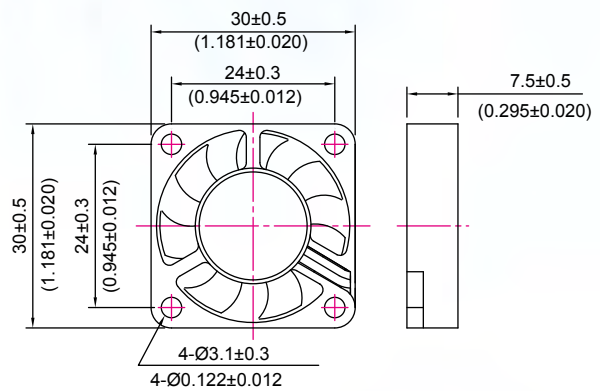
3007 series 30x30x07 mm



P&Q Curve



Dimensions Drawing



UNIT:MM/(INCH)

Specifications

Model	Rated Voltage (VDC)	Rated Current (AMP)	Power Consumption (WATTS)	Speed Reference (RPM)	Air Flow (CFM)	Static Pressure (Inch-H ₂ O)	Noise (dBA)
EC3007SH05X	5	0.22	1.1	12000	3.82	0.25	<36.2
EC3007HH05X	5	0.18	0.9	10000	3.2	0.18	<30
EC3007H05X	5	0.16	0.8	9000	2.71	0.14	<26
EC3007M05X	5	0.14	0.7	8000	2.56	0.12	<21
EC3007L05X	5	0.12	0.6	7000	2.3	0.09	<17
EC3007LL05X	5	0.1	0.5	6000	1.98	0.07	<13.7
EC3007SH12X	12	0.14	1.68	12000	3.82	0.25	<36.2
EC3007HH12X	12	0.11	1.32	10000	3.2	0.18	<30
EC3007H12X	12	0.09	1.08	9000	2.71	0.14	<26
EC3007M12X	12	0.08	0.96	8000	2.56	0.12	<21
EC3007L12X	12	0.06	0.72	7000	2.3	0.09	<17

3007 series

- ▶ Material: impeller & Frame: Plastic (UL 94V-0)
- ▶ Lead Wires: UL 1007 AWG #28 Or Equivalent
Red Wire Positive(+), Black Wire Negative(-), Yellow Wire Or Blue Wire Signal(FG)
- ▶ Function type is optional.

- ▶ The max air flow and the speed are measured in free air; max air pressure is measured at zero air flow.
- ▶ Noise is measured in anechoic chamber in free air, one meter from intake side.
- ▶ All readings are typical values at rated voltage.
- ▶ Specifications are subject to change without notice.
- ▶ Additional special function may be added according to the requirement of customer.