

Note:

* Material :

Insulation:

Nylon 6T UL 94V-0

Color Nature

Contact : Phosphor Bronze

Fixed Tab : Brass with Matte
Tin Plated

* Recommended mating part:

Housing : CI44**S0000

Terminal : CI44T011PP0

* For Lead-Free IR Reflow process

ORDERING CODE:

CI44 ** M 1 V 00 -NH
① ② ③ ④ ⑤ ⑥ ⑦

① SERIES NO.:

② NO. OF CIRCUITS: 02 TO 15

③ M= SMT TYPE HEADER

④ PLATING OPTION:

1= Tin over Nickel plated

⑤ TAIL STYLE: V= STRAIGHT

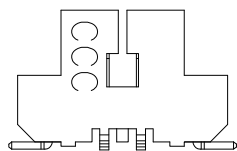
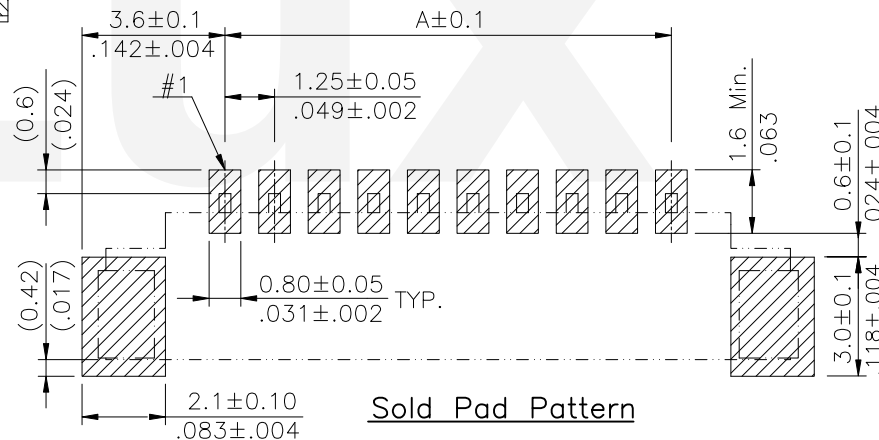
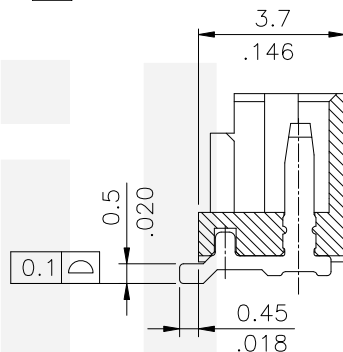
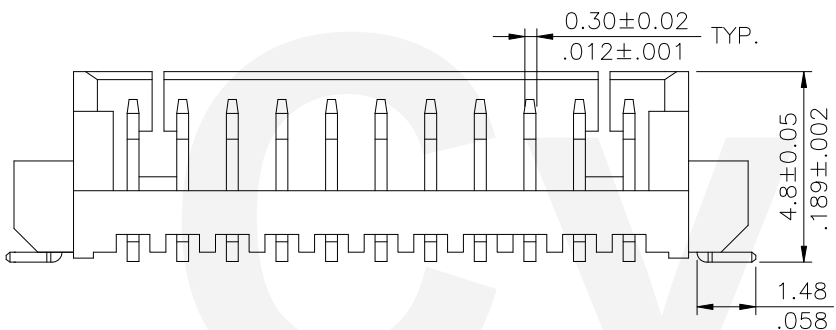
⑥ OPTION:

00= STANDARD(TUBE PACKING)

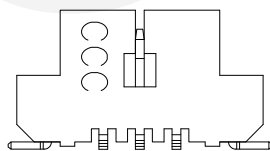
R0= TAPE & REEL PACKING

⑦ OTHER OPTION:

-NH=For Lead Free IR Processes
and Halogen-Free



FOR 2 Circuits



FOR 3 Circuits

A = 1.25 x No. of Spaces

B = A + 6.1

C = A + 1.9


* Available in 2 through 15 circuits

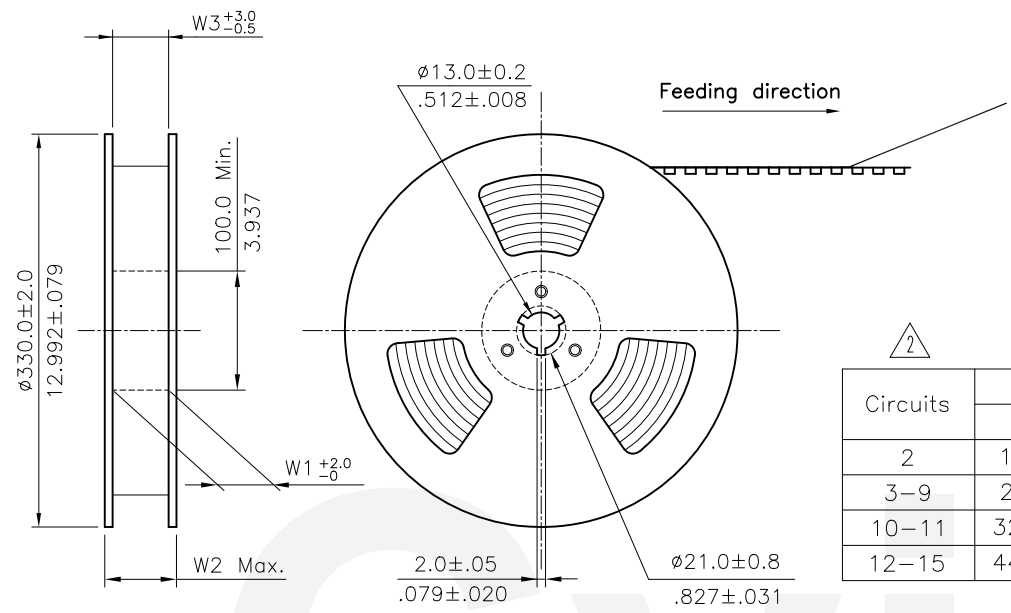
Sold Pad Pattern

Halogen-Free

Lead Free Process

RoHS compliant

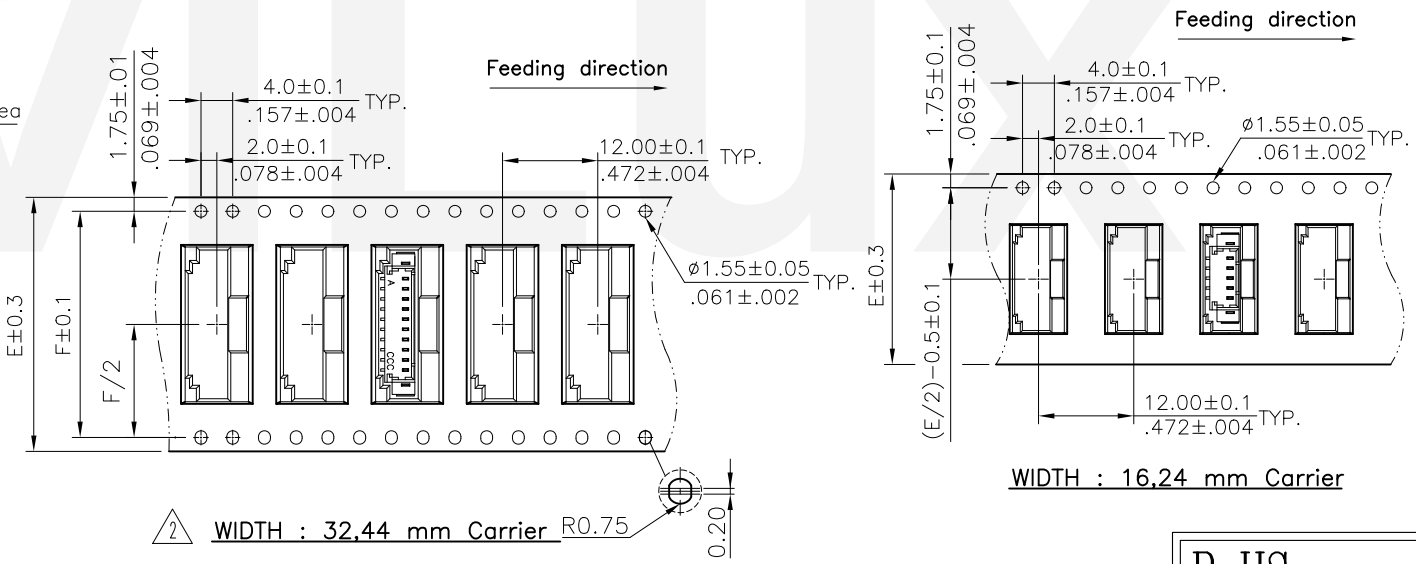
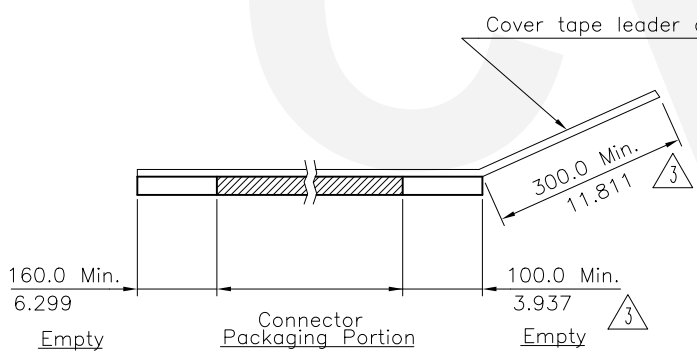
④						DATE	UNIT: mm / inch	TITLE: 1.25MM(.049") STRAIGHT SMT TYPE HEADER	 瀚荃股份有限公司 CviLux Corporation
③	Karen	12/09-14'	ECNT114252/ECRT114090	2015.01.16	DRAWN BY:	Karen	12/25-14'	MATERIAL:	
②	Enya	7/26-12'	ECN12176-0 /ECR12061-1	ISSUED	ENGINEER:	Sun	12/26-14'		
①	Tim	11/09-10'	ECR10145-0/ECN10364		CHECKED BY:	Eisley	12/29-14'	DRAWING NO. CI4457SD PART NO. CI44**M1V**-NH	
SYM	NAME	DATE	REVISIONS		APPROVED BY:	Eisley	12/29-14'	SCALE 5 / 1 SHEET 1 OF 2	



NOTE :

- * Reel Material : CORRUGATED PAPER
- * Carrier Material : Clear, Conductive Polystyrene Alloy
- * Cover Tape Material : Polyester
- * Cover Tape Peel Strength : 0.1N – 1.3N
- * Carrier camber is within 1mm in 100mm
- * All dimensions meet EIA-481-2 & EIA-481-3 requirements.
- * Quantity : 1000 PCS/Reel

Circuits	Dimension					Packing (Reel/Caton)
	E	F	W1	W2	W3	
2	16.0(.630)	---	16.5(.650)	22.5(.886)	16.5(.650)	11
3-9	24.0(.945)	---	24.5(.965)	30.5(1.201)	24.5(.965)	9
10-11	32.0(1.260)	28.40(1.118)	32.5(1.280)	38.5(1.516)	32.5(1.280)	7
12-15	44.0(1.732)	40.40(1.591)	44.5(1.752)	50.5(1.988)	44.5(1.752)	5



RoHS Compliant

SYM	NAME	DATE	REVISIONS	APPROVED BY:	DATE	TITLE:	UNIT:	MATERIAL:	FINISH:	DRAWING NO.	PART NO.	SHEET	OF	2
4						1.25MM(.049")	mm / inch	STRAIGHT SMT TYPE HEADER		CI4457SD	CI44**M1V**--NH	2	OF	2
3	Karen	12/09-14'	ECNT114252/ECRT114090	DRAWN BY:	Karen	12/25-14'	TOLERANCE UNLESS OTHERWISE SPECIFIED							
2	Enya	7/26-12'	ECN12176-0 /ECR12061-1	ENGINEER:	Sun	12/26-14'								
1	Tim	11/09-10'	ECR10145-0/ECN10364	CHECKED BY:	Eisley	12/29-14'								
				APPROVED BY:	Eisley	12/29-14'								

CIVILUX CORP
2015.01.16
ISSUED

瀚荃股份有限公司
CviLux Corporation