

SPECIFICATION

Current Rating: 1.0 AMP
 Voltage Rating: 30V
 Insulation Resistance: 100MΩ Min.
 Contact Resistance: 50mΩ Max.
 Dielectric Voltage: 100V AC for one minute
 Operation Temperature: -30°C to +80°C

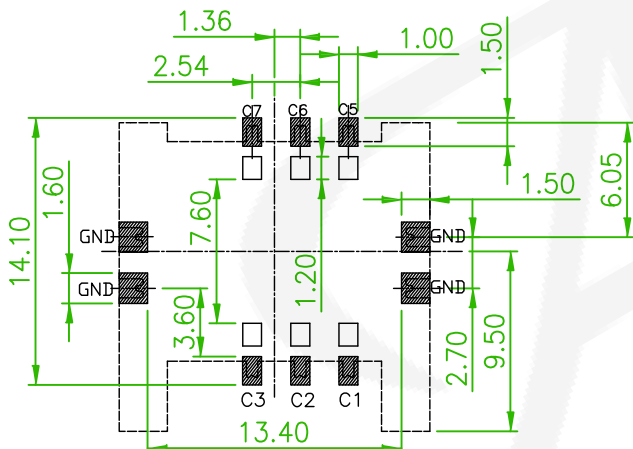
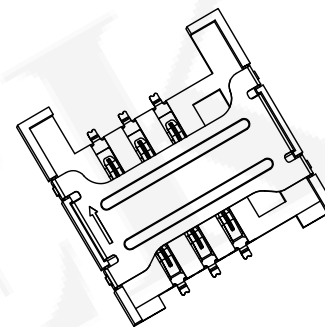
MATERIAL

Insulator: Hi-Temp Thermoplastic, UL 94V-0, Black
 Contact: Copper Alloy
 Shell: Stainless Steel

ORDER INFORMATION

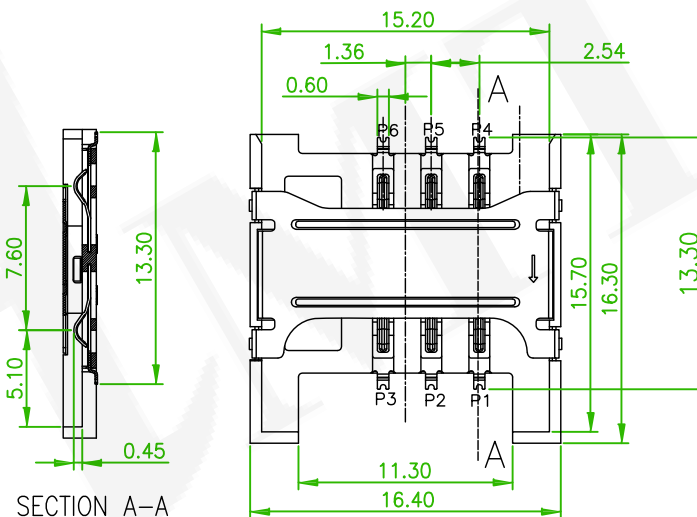
5 K S I S - 0 6 S 0 N H L 0 1

No. of contacts S0:Selective H: T/R W/O Cap

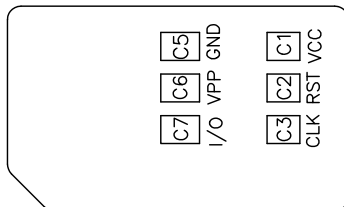
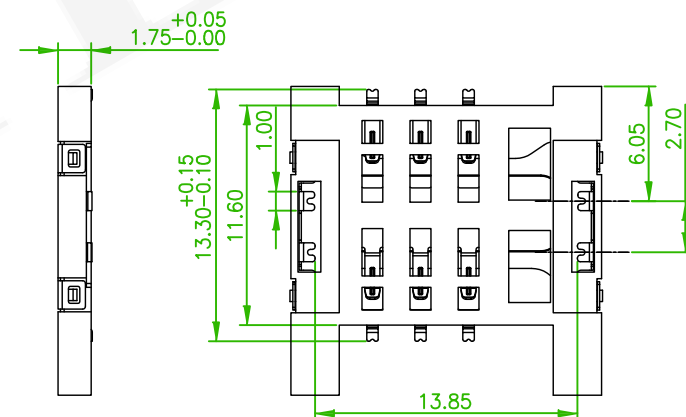


■ SOLDER PAD □ HOLE
 RECOMMEND PCB LAYOUT

TOLERANCE: +/−0.05 (TOP VIEW)



SECTION A-A



SIM CARD

PIN NO.	DESCRIPTION
P1#	C1:VCC
P2#	C2:RST
P3#	C3:CLK
P4#	C5:GND
P5#	C6:VPP
P6#	C7:I/O

 耀德精密有限公司 Amtek Technology Co., Ltd. TEL: 886-2-2260-6878 FAX: 886-2-2260-8030	品名 TITLE	Sim Card Push-Pull Type			頁數 Page	1/1
	品號 PART NO.	5KSIS-06S0NHL01			繪圖 DRAWN	David 2019/10/01
	圖號 DRAWING NO.	GN195-DV339	版本 REV.	A	核對 CHECKED	Josh 2019/10/01
	客戶品號 CUSTOMER P/N		比例 SCALE	None	承認 APPROVED	Josh 2019/10/01
	公差 TOLERANCE	.X ± 0.35 .XX ± 0.25	單位 UNIT	mm	THIRD ANGLE PROJECTION	

REV.	ECN NO. OR DESCRIPTION	REVISED	DATE