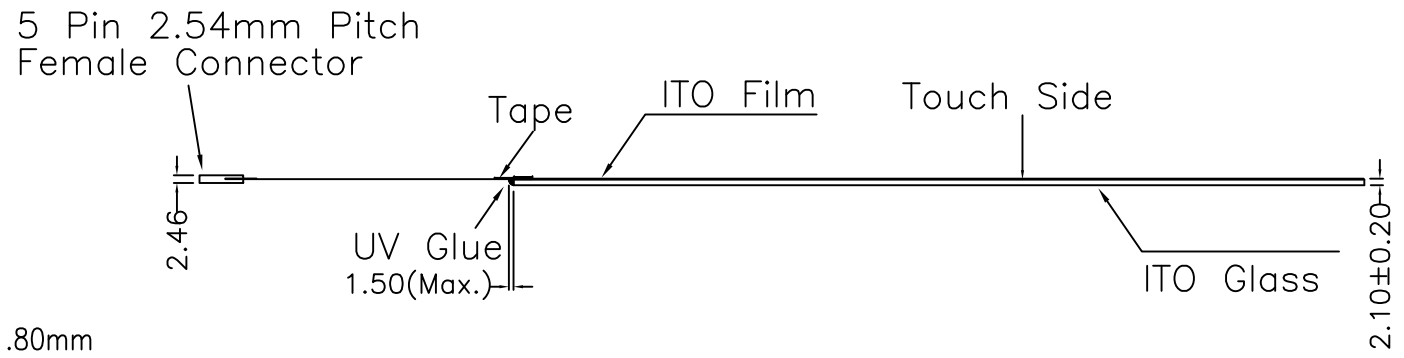
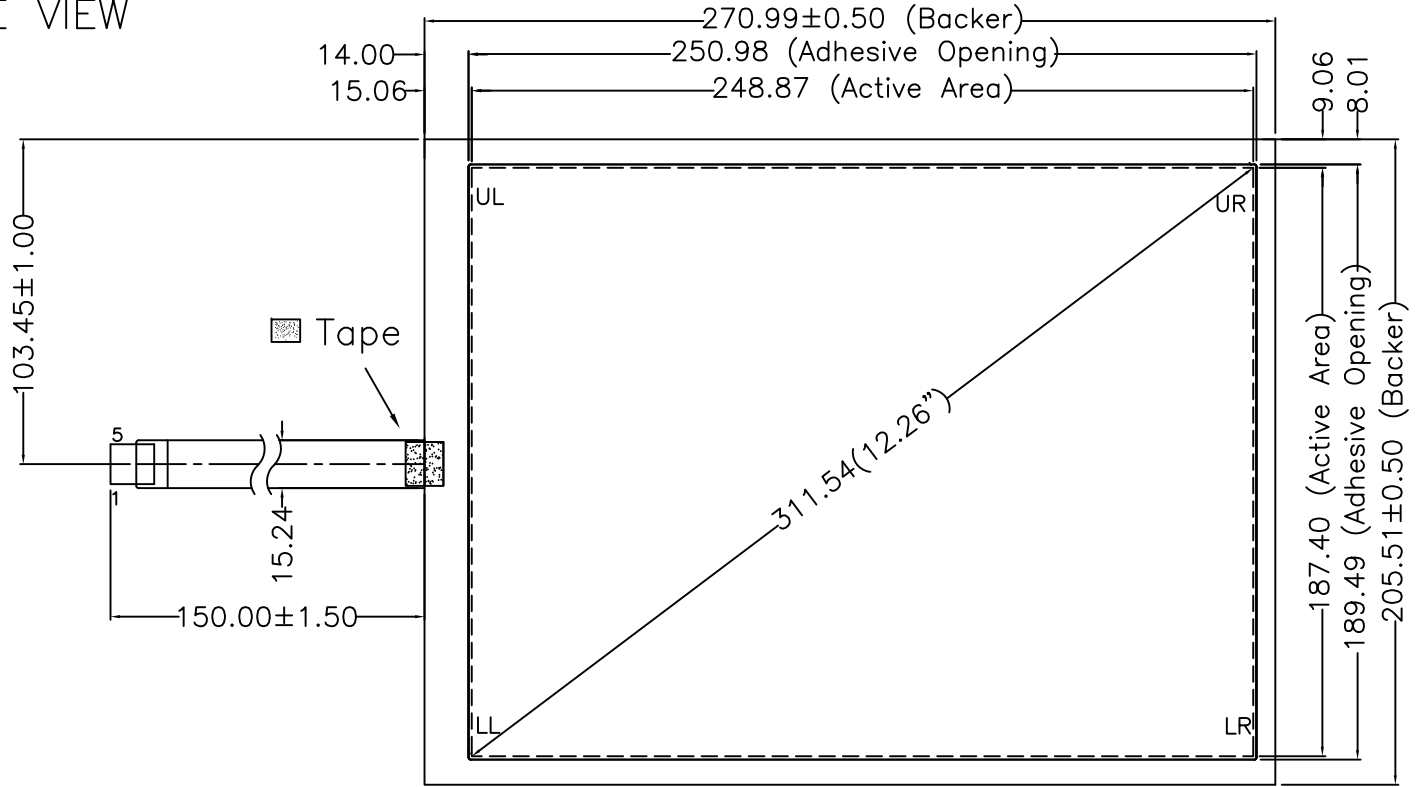


TOUCH SIDE VIEW

Pin#	Assignment
1	LL
2	UL
3	S
4	LR
5	UR



NOTES:

1. ITO GLASS THICKNESS : 1.80mm
  2. OVERALL THICKNESS : 2.10±0.20mm
  3. CONNECTOR AND PINOUT AS INDICATED
  4. FRONT SURFACE : ANTI-GLARE
  5. TAIL TYPE : FPC WITH CONNECTOR AMP-COMPATIBLE ELECTRO TIN PLATED CONTACT
  6. OTHER SPEC : SEE APPROVAL SHEET
- \*BEFORE DESIGN PLEASE REFER TO THE INTEGRATION GUIDE

C	Jun.20,12	Modify Circuit Design & Overall Thickness	Grace
A	Mar.06,07	Pattern modified	Alex
NO.	DATE	DESCRIPTION	CHK
REVISION			
CHIEF OF DESIGN		APPROVED	Grace
ENGINEER		PROJECT MANAGER	
DRAWN BY	Jasper	DATE	Jun. 20, 2012
SHT	1 OF 1	REV.	C

TOLERANCES UNLESS SPECIFIED	
.X	± 0.50
.XX	± 0.50
.XXX	± 0.30
ANGULAR	.

Apex Material Technology Corp.

MODEL NAME	:02514-00
DWG NO	: 02514-3-01
SCALE	1:1 UNIT: mm

