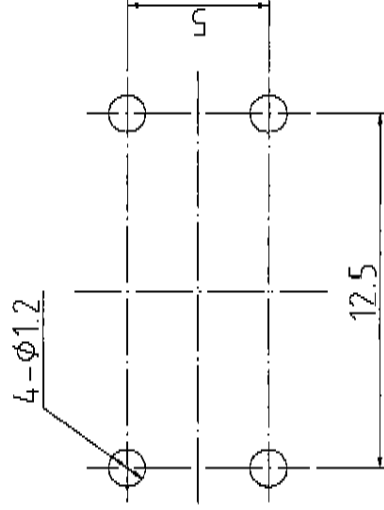
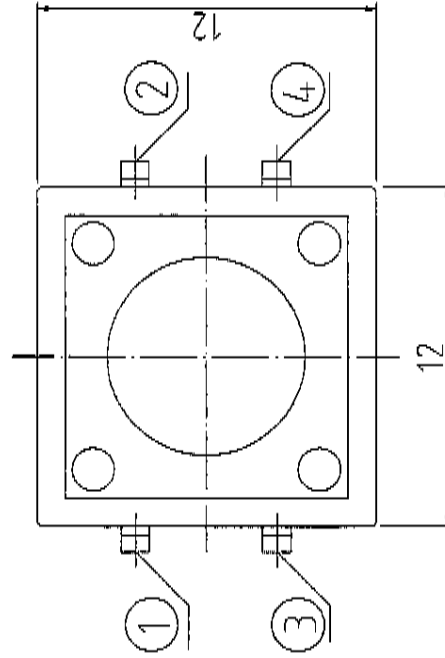


Circuit Diagram



P.C.B. LAYOUT

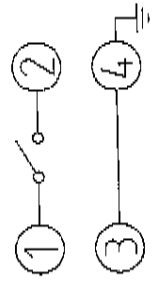
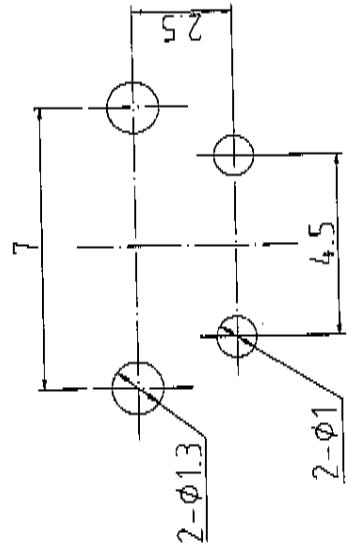
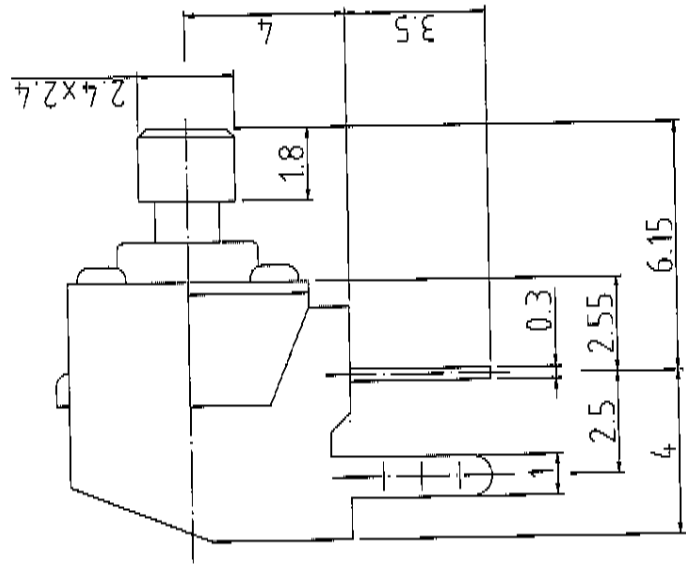
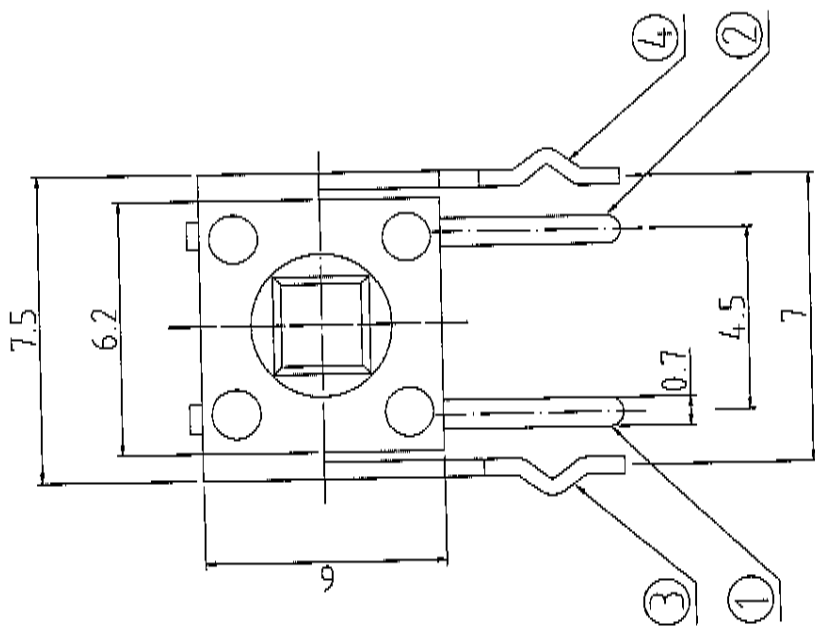
SPECIFICATION:

Rating: DC 12V 50mA  
 Contact Resistance: 100m ohm max  
 Insulation Resistance: 100M ohm min  
 Operation Force: 160±30gf  
 Life: 100,000cycles



DWN: Z.L.Y.		UNIT: mm
CHKD: W. Y.	DATE:	
APVD: C.S.C.	SCALE:	

TITLE: TACT SWITCH	PAGE:
PART NO: TS31043N	



Circuit Diagram

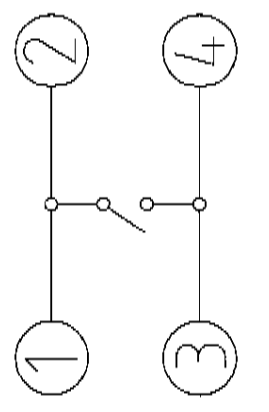
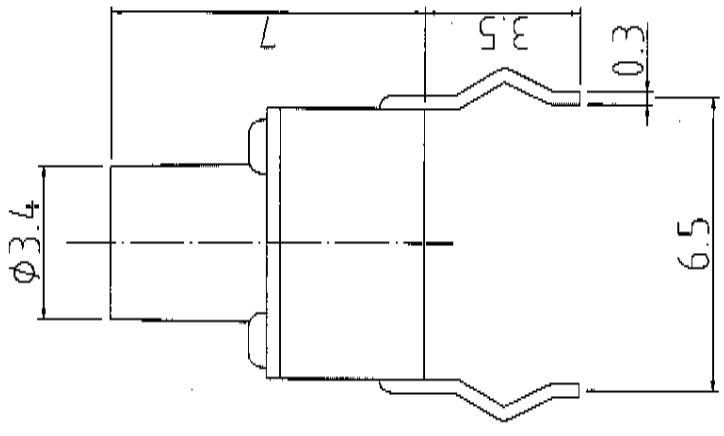
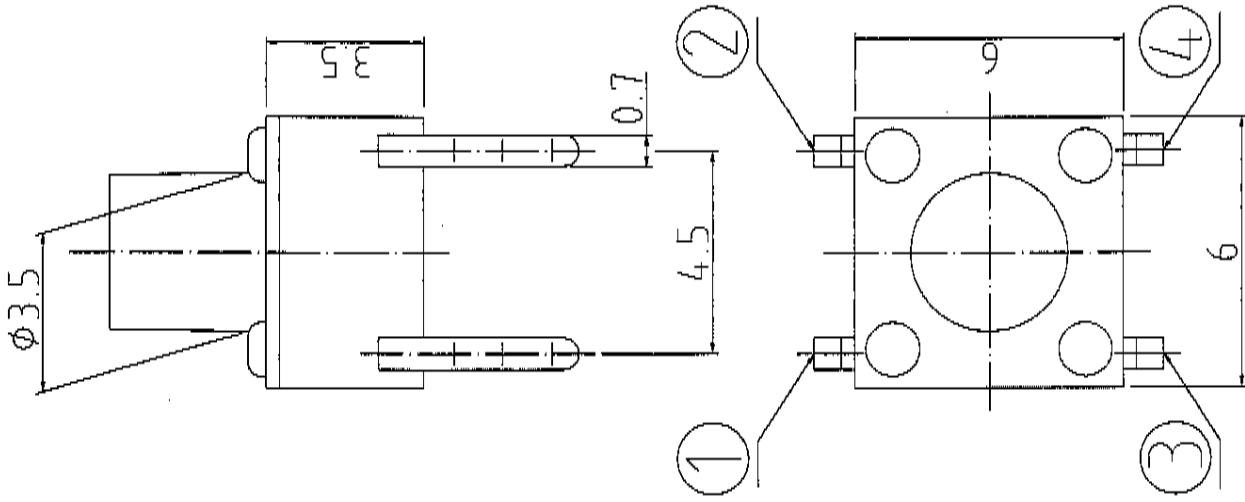
**SPECIFICATION:**

- Rating: DC12V 50mA
- Contact Resistance: 100m ohm max
- Insulation Resistance: 100M ohm min
- Operation Force: 160±30gf
- Life: 100,000cycles



DWN: Z.L.Y.		UNIT: mm
CHKD: W. Y.	SCALE:	
APVD: C.S.C.		

DATE:	TITLE: TACT SWITCH
PAGE:	PART NO: TSZ1A-0615-SQ



Circuit Diagram

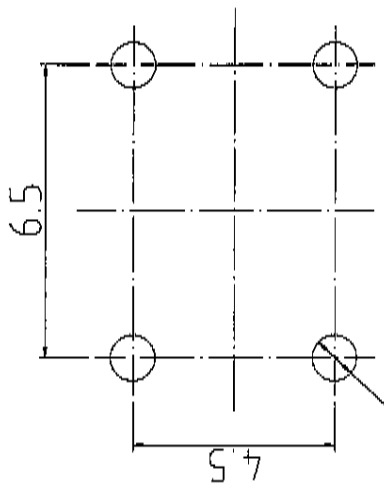
HOW TO ORDER

TS21070-0

C	Operation Force
0	
D	NIL
E	160±30 gf
	260±30 gf

SPECIFICATION:

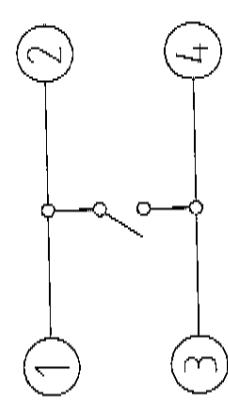
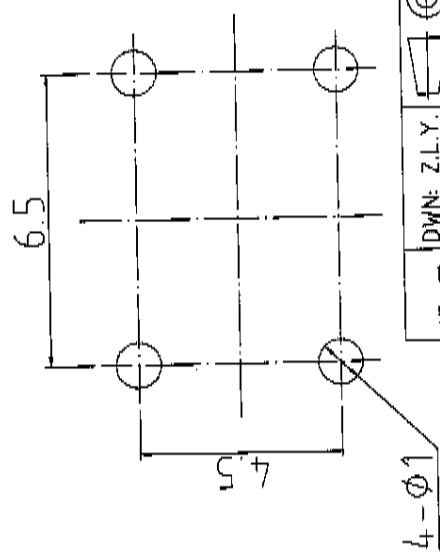
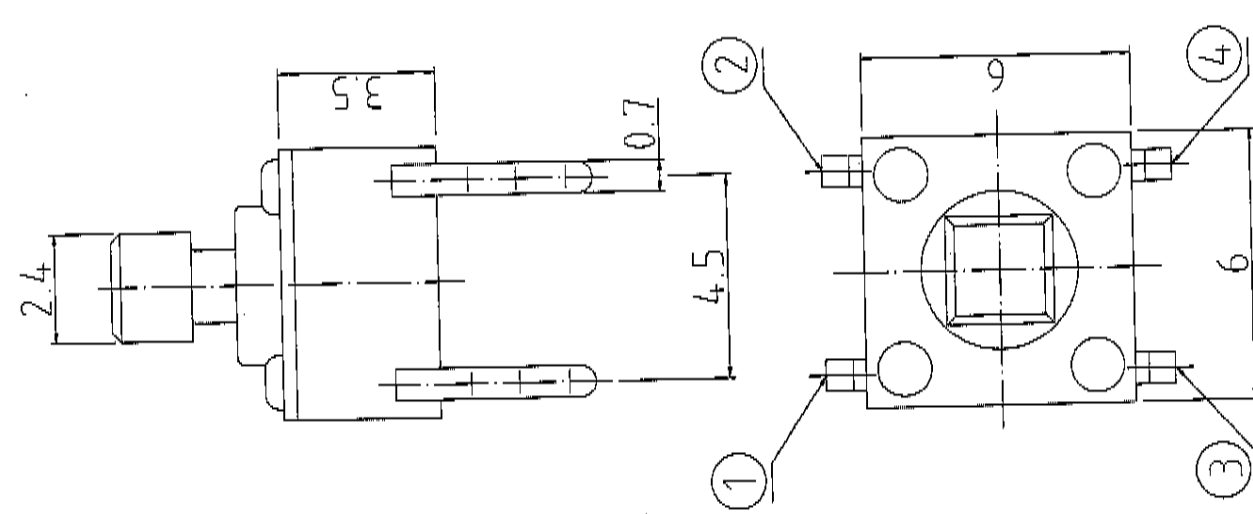
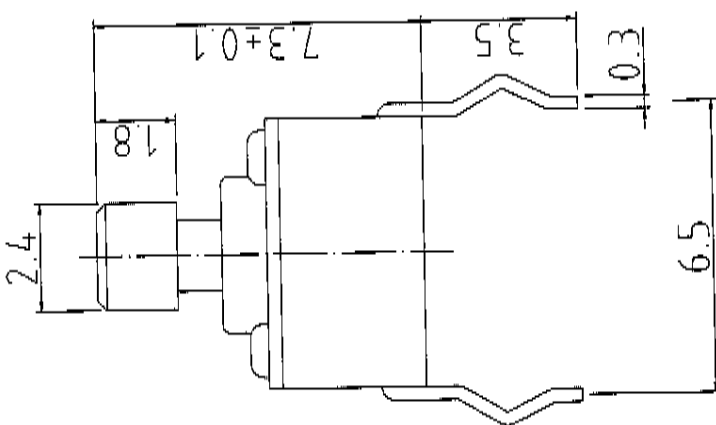
Rating: DC12V 50mA  
 Contact Resistance: 100m ohm max  
 Insulation Resistance: 100M ohm min  
 Operation Force: 160±30gf  
 260±30 gf  
 Life: 100,000cycles



	DWN: Z.L.Y.		
	CHKD: W. Y.	UNIT: mm	
	APVD: C.S.C.	SCALE:	

TITLE: TACT SWITCH  
 PART NO.: TS21070-0

DATE:  
 PAGE:



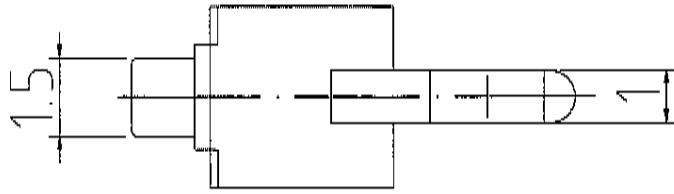
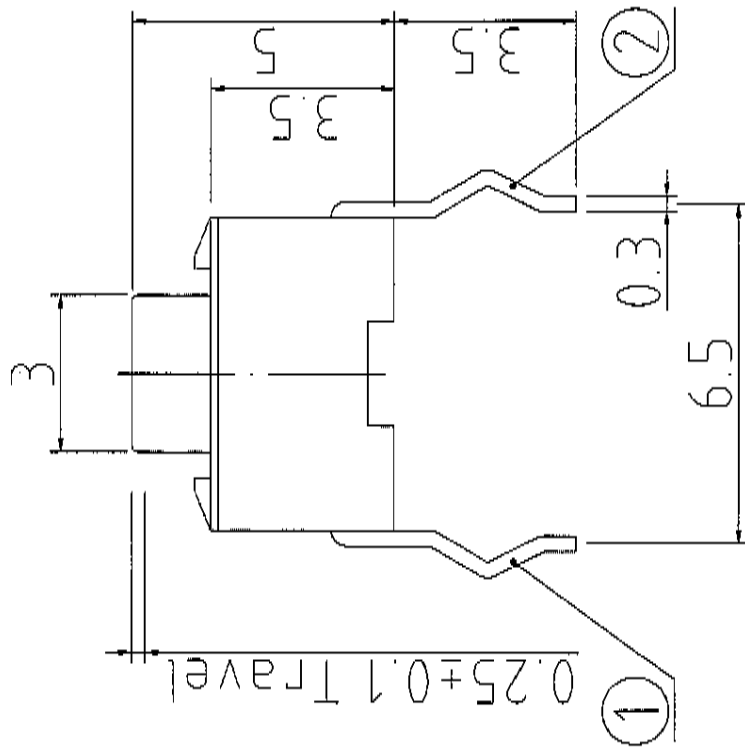
Circuit Diagram

SPECIFICATION:

Rating: DC12V 50mA  
 Contact Resistance: 100m ohm max  
 Insulation Resistance: 100M ohm min  
 Operation Force: 160±30gf  
 Life: 100,000cycles

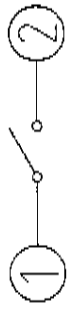
DWN: Z.L.Y.		UNIT: mm	DATE:	TITLE: TACT SWITCH
CHKD: W. Y.		SCALE:	PAGE:	PART NO.: TS23073
APVD: C.S.C.				





SPECIFICATION:

Rating: DC12V 50mA  
 Contact Resistance: 100m ohm max.  
 Insulation Resistance: 100M ohm at 100V Min.  
 Withstand Voltage: AC 250V for 1 minute  
 Operation Force: 160±30gf / 250±30gf  
 Life: 50,000 cycles



Circuit Diagram



DWN: Z.L.Y.		
CHKD: W. Y.	UNIT: mm	DATE:
APVD: C.S.C.	SCALE:	PAGE:

TITLE: TACT SWITCH	PART NO: TS54050
--------------------	------------------