

Specification

TFT-LCD module

Module (型号) :	FRD2803707
Customer (客户) :	
Customer P/N (客户型号) :	

Approved by (批准) :	
Qualified (合格) :	Unqualified (不合格) :

PREPARED	CHECKED	APPROVED

Shenzhen Frida LCD Co.,Ltd

REVISION RECORD

<u>REV NO</u>	<u>REV DATE</u>	<u>CONTENTS</u>	<u>REMARKS</u>
1.0	2012-1-18	First Release	

TABLE OF CONTENT

- GENERAL SPECIFICATIONS
- ABSOLUTE MAXIMUM RATINGS
- ELECTRICAL CHARACTERISTICS
- BACKLIGHT CHARACTERISTICS
- DIMENSIONAL DRAWING
- INTERFACE PIN CONNECTIONS
- ELECTRO-OPTICAL CHARACTERISTICS
- INSPECTION CRITERIA
- RELIABILITY
- PRECAUTIONS FOR USING LCD MODULE
- USING LCD MODULES

Shenzhen Frida LCD Co.,Ltd

1.0 General Specifications

FRD2803707 is a **color active matrix LCD module incorporating amorphous silicon TFT (Thin Film Transistor)**. It is composed of a color TFT-LCD panel, driver IC, FPC and a back light unit. The module display area contains **240x320** pixels and can display up to **262K** colors. This product accords with RoHS environmental criterion.

Item	Contents	Unit
LCD Type	TFT TRANSMISSIVE	/
Viewing direction	6:00	O' Clock
Module outline (W x HxD)	69.20X50.00X3.5	mm
Active area (WxH)	43.20X57.60	mm
Number of Dots	240(RGB) x320	/
Driver IC	ILI9341	/
Colors	262K	/
Backlight Type	4 LED	/
Interface Type	System parallel interface	/
Input voltage	2.8	V

Shenzhen Frida LCD Co.,Ltd

2.0 ABSOLUTE MAXIMUM RATINGS

<i>Parameter</i>	<i>Symbol</i>	<i>Min</i>	<i>Max</i>	<i>Unit</i>
Supply voltage for logic	Vcc1,Vcc2	-0.3	4.6	V
Input voltage	Vin	-0.3	VCC+ 0.3	V
Operating temperatur	Top	-10	60	
Storage temperature	Tst	-20	70	
Humidity	RH	--	90%(Max60C)	RH

3.0 ELECTRICAL CHARACTERISTICS

<i>Parameter</i>	<i>Symbol</i>	<i>Min</i>	<i>Typ</i>	<i>Max</i>	<i>Unit</i>
Supply voltage for logic	Vcc -Vss	2.6	2.8	3.3	V
Input Current	Idd	-	9.94	14.91	mA
Input voltage ' H ' level	Vih	0.8 Vcc	--	Vcc	V
Input voltage ' L ' level	Vil	-0.3	0	0.2 Vcc	V
Output voltage ' H ' level	Voh	0.8 Vcc	--	Vcc	V
Output voltage ' L ' level	Vol	0	0	0.2 Vcc	V

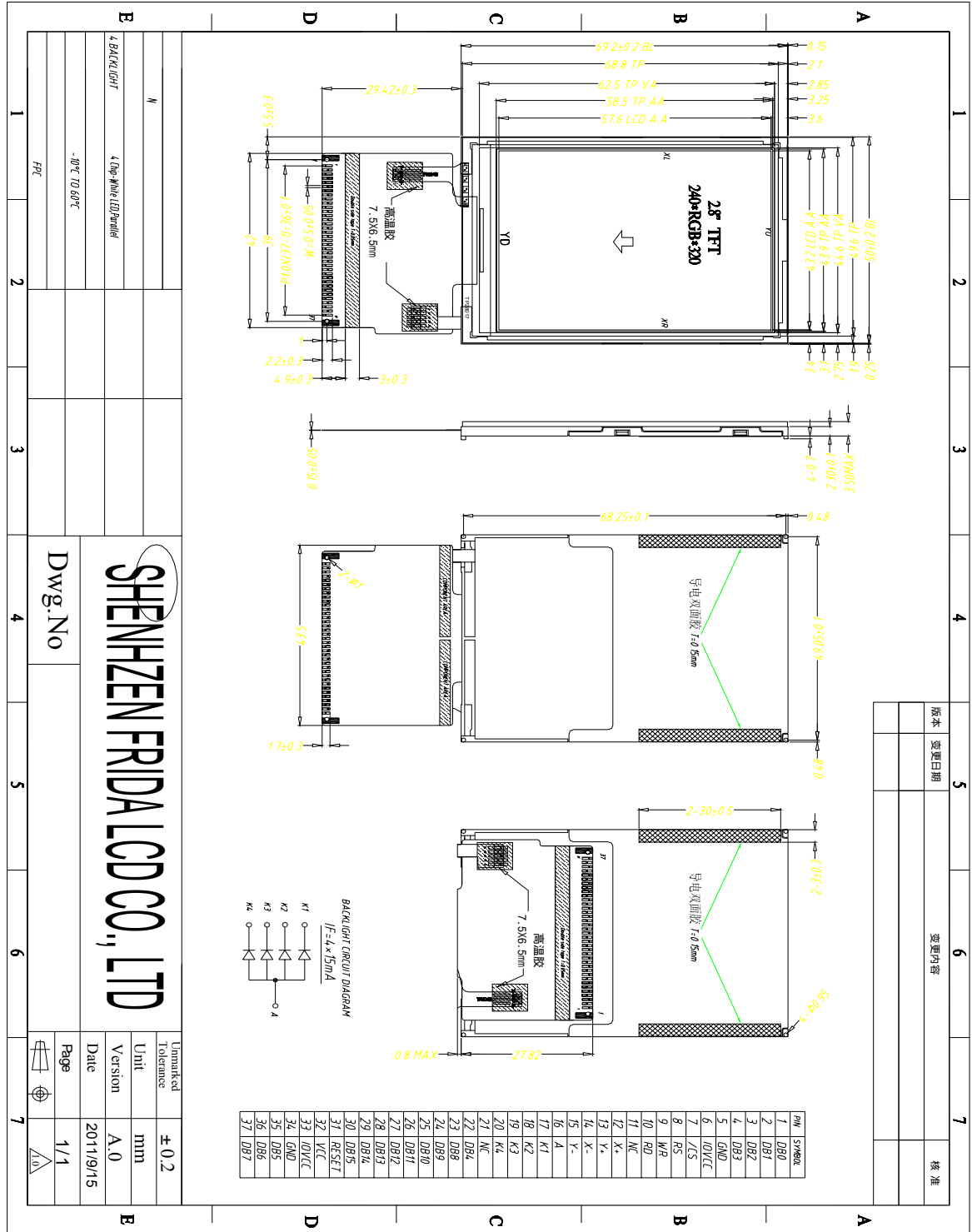
4.0 BACKLIGHT CHARACTERISTICS

<i>Item</i>	<i>Symbol</i>	<i>Min</i>	<i>Typ</i>	<i>Max</i>	<i>Unit</i>	<i>Condition</i>
Forward voltage	Vf	3.0	3.2	3.4	V	--
Luminance	Lv	3300	3500	3700	cd/m2	If=60MA
Number of LED	--	4			Piece	--
Connection mode	P	parallel			--	--

Using condition: constant current driving method If= 45 mA(+/-10%)

Shenzhen Frida LCD Co.,Ltd

5.0 DIMENSIONAL DRAWING



4 BACKLIGHT		4 Opt White LED Parallel	
N			
-10°C TO 60°C			
FR			
1		2	
3		4	
5		6	
7			

SHENZHEN FRIDALCD CO., LTD

Dwg. No

Unmarked	± 0.2
Tolerance	
Unit	mm
Version	A.0
Date	2011/9/15
Page	1/1

版本	变更日期	变更内容	核准

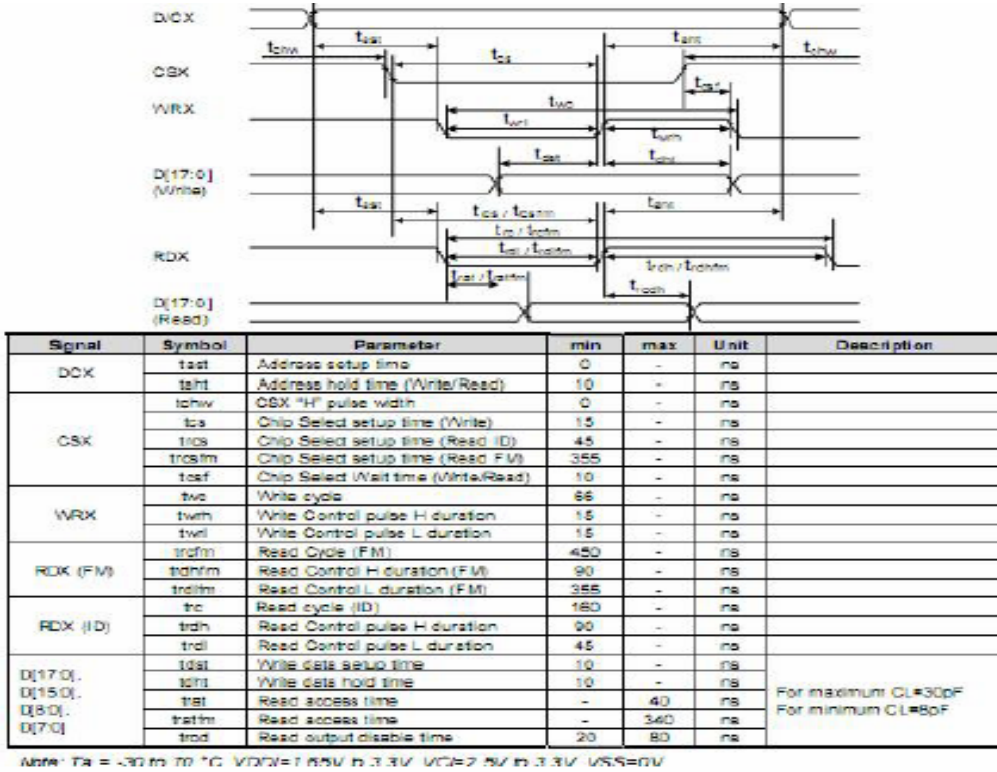
Shenzhen Frida LCD Co.,Ltd

6.0 INTERFACE PIN CONNECTIONS

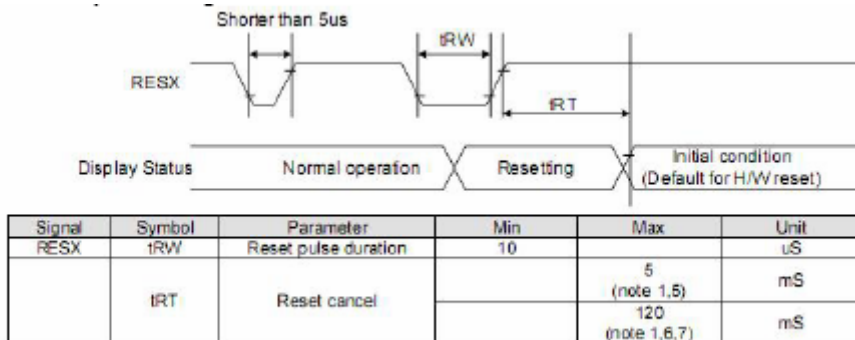
<i>Pin.No</i>	<i>Symbol</i>	<i>Function</i>
1-4	DB0-DB3	Data bits
5	GND	Ground
6	IOVCC	power supply (+1.8/+2.8)
7	CS	chip select signal input(low active)
8	RS	data or command select signal input
9	WR	write select signal input
10	RD	read select signal
11	NC	NC
12	X+	touch panel terminal
13	Y+	touch panel terminal
14	X-	touch panel terminal
15	Y-	touch panel terminal
16	LEDA	back light power supply positive
17-20	LEDK1-LEDK4	back light power supply negative
21	NC	No connect
22	DB4	Data bit
23-30	DB8-DB15	Data bits
31	REST	A reset pin.
32	VCC	power supply (+2.8)
33	IOVCC	power supply (+1.8/+2.8)
34	GND	Ground
35-37	DB5-DB7	Data bits

Shenzhen Frida LCD Co.,Ltd

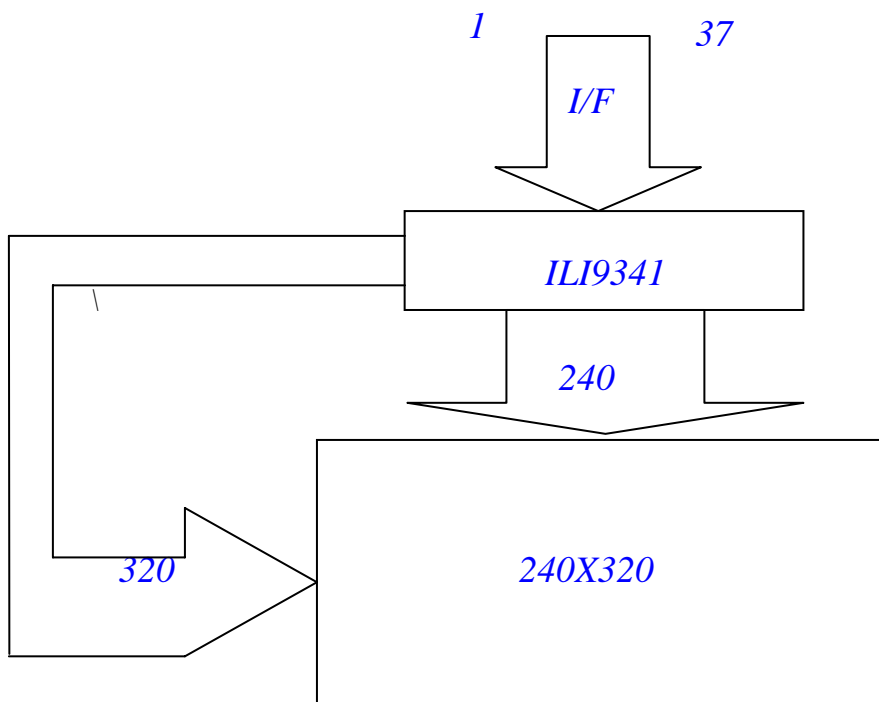
6.1 TIMING CHARACTERISTICS



6.2. Reset Input Timing



6.3 BLOCK DIAGRAM OF LCM



6.4 THE MPU INTERFACE (REFERENCE EXAMPLES)

MCU interfaces

ILI9340 provides the 8-/9-/16-/18-bit parallel system interface for 8080- I /8080- II series, and 3-/4-line serial system interface for serial data input. The input system interface is selected by external pins IM [3:0] and the bit format per pixel color order is selected by DBI [2:0] bits of 3Ah register.

MCU interface selection

The selection of interface is done by setting external pins IM [3:0] as shown in the following table.

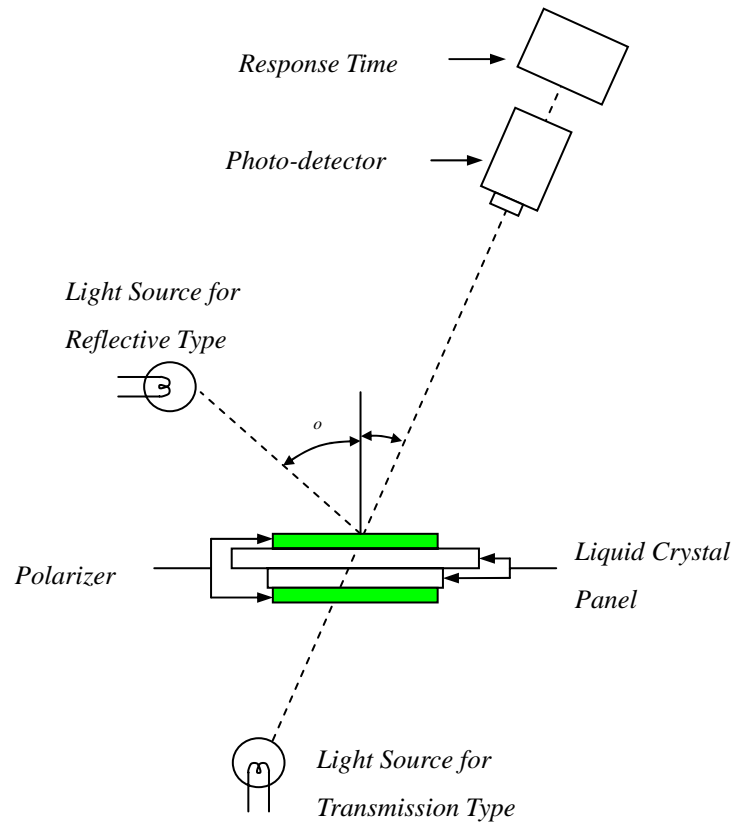
IM3	IM2	IM1	IM0	MCU-Interface Mode	Pins in Use	
					Register/Content	GRAM
0	0	0	0	8080 MCU 8-bit bus interface I	D[7:0]	D[7:0], WRX, RDX, CSX, D/CX
0	0	0	1	8080 MCU 16-bit bus interface I	D[7:0]	D[15:0], WRX, RDX, CSX, D/CX
0	0	1	0	8080 MCU 9-bit bus interface I	D[7:0]	D[8:0], WRX, RDX, CSX, D/CX
0	0	1	1	8080 MCU 18-bit bus interface I	D[7:0]	D[17:0], WRX, RDX, CSX, D/CX
0	1	0	1	3-wire 8-bit data serial interface I	SCL, SDA, CSX	
0	1	1	0	4-wire 8-bit data serial interface I	SCL, SDA, D/CX, CSX	
1	0	0	0	8080 MCU 16-bit bus interface II	D[8:1]	D[17:10], D[8:1], WRX, RDX, CSX, D/CX
1	0	0	1	8080 MCU 8-bit bus interface II	D[17:10]	D[17:10], WRX, RDX, CSX, D/CX
1	0	1	0	8080 MCU 16-bit bus interface II	D[8:1]	D[17:0], WRX, RDX, CSX, D/CX, D
1	0	1	1	8080 MCU 9-bit bus interface II	D[17:10]	[17:9], WRX, RDX, CSX, D/CX
1	1	0	1	3-wire 8-bit data serial interface II	SCL, SDI, SDO, CSX	
1	1	1	0	4-wire 8-bit data serial interface II	SCL, SDI, D/CX, SDO, CSX	

Shenzhen Frida LCD Co.,Ltd

7. ELECTRO-OPTICAL CHARACTERISTICS

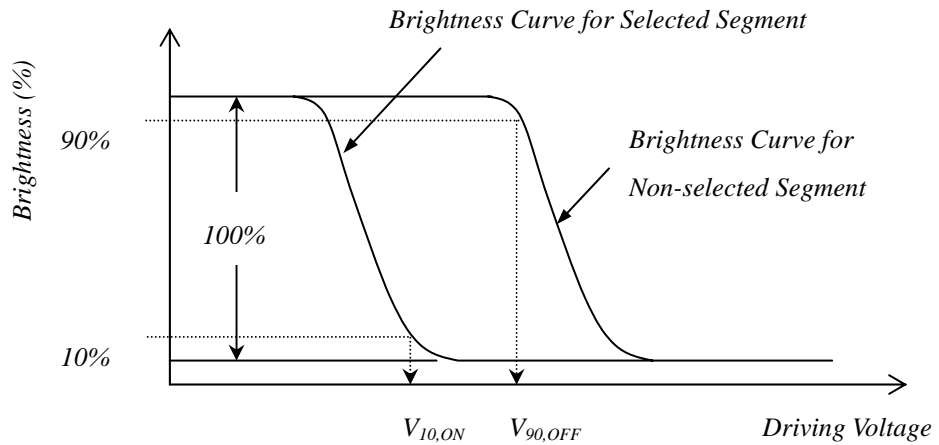
<i>Item</i>	<i>Symbol</i>	<i>Condition</i>	<i>Temp</i>	<i>Min</i>	<i>Typ</i>	<i>Max</i>	<i>Units</i>	<i>Note</i>
<i>Operating Volt.</i>	<i>VLCD</i>	= = 0	-10	----	----	----	V	8.1
			25	----	8.5	----		
			60	----	----	----		
<i>Response Time</i>	<i>Rise Time (Tr)</i>	= = 0	-10	----	----	----	msec	8.2
	<i>Decay Time (Td)</i>			----	----	----		
	<i>Rise Time (Tr)</i>		25	----	----	240		
	<i>Decay Time (Td)</i>			----	----	240		
	<i>Rise Time (Tr)</i>		60	----	----	----		
	<i>Decay Time (Td)</i>			----	----	----		
<i>Viewing Angle Range</i>		=0 °	25	----	----	30	Deg	8.3 CR 2
		=90 °		----	----	30		
		=180 °		----	----	30		
		=270 °		----	----	30		
<i>Contrast Ratio</i>	<i>Cr</i>	= = 0	25	3	4.5	----	---	8.4

7.1 ELECTRO-OPTICAL CHARACTERISTICS TEST METHOD

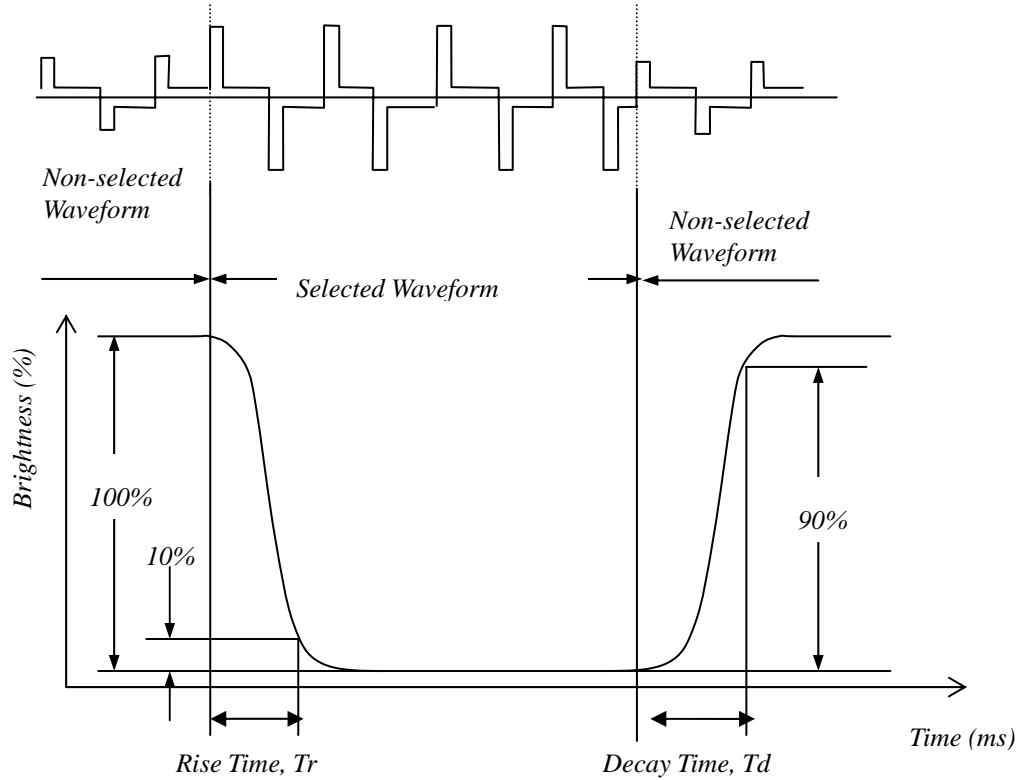


7.2 DEFINITION OF OPERATING VOLTAGE, VOP

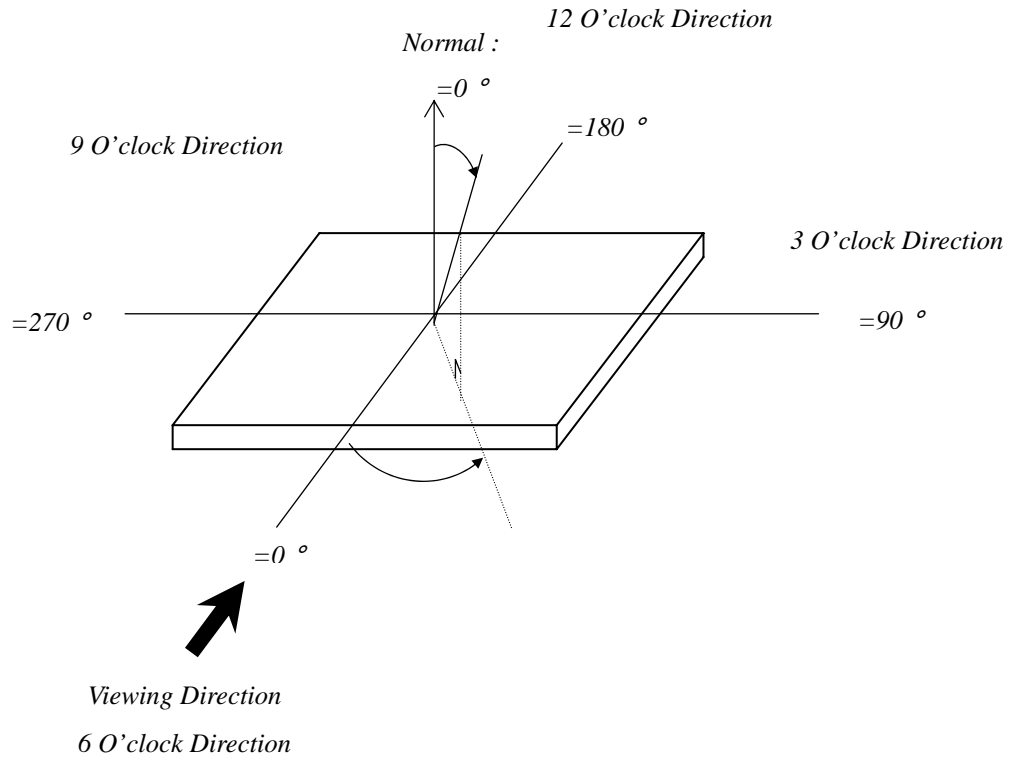
$$V_{op} = (V_{10,ON} + V_{90,OFF})/2$$



7.3 DEFINITION OF OPTICAL RESPONSE TIME

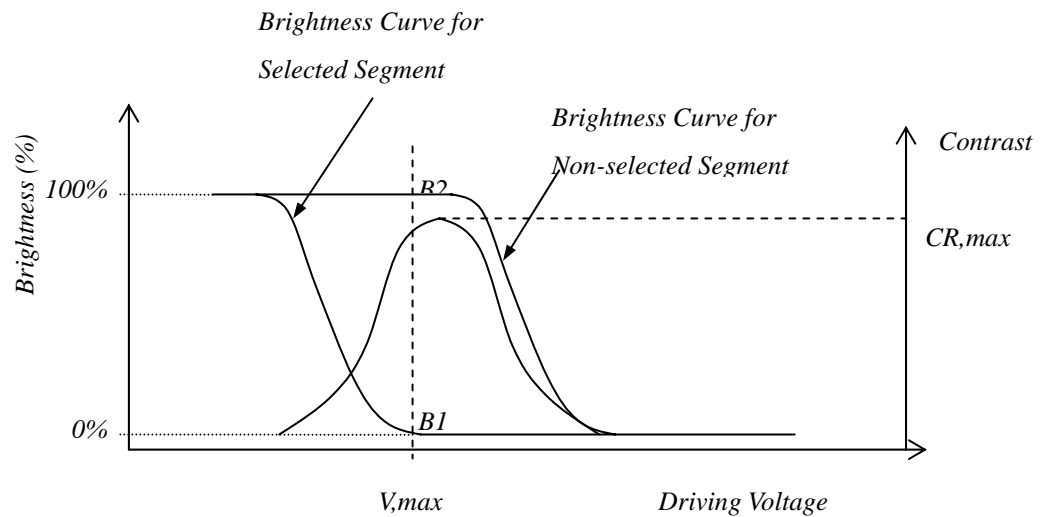


7.4 DEFINITION OF VIEWING ANGLE AND



7.5 DEFINITION OF CONTRAST RATIO, CR

$$CR = \frac{\text{Brightness of Non-selected Segment (B2)}}{\text{Brightness of Selected Segment (B1)}}$$



8.INSPECTION CRITERIA

8.1 Inspection Conditions

8.1.1 Environmental conditions

The environmental conditions for inspection shall be as follows

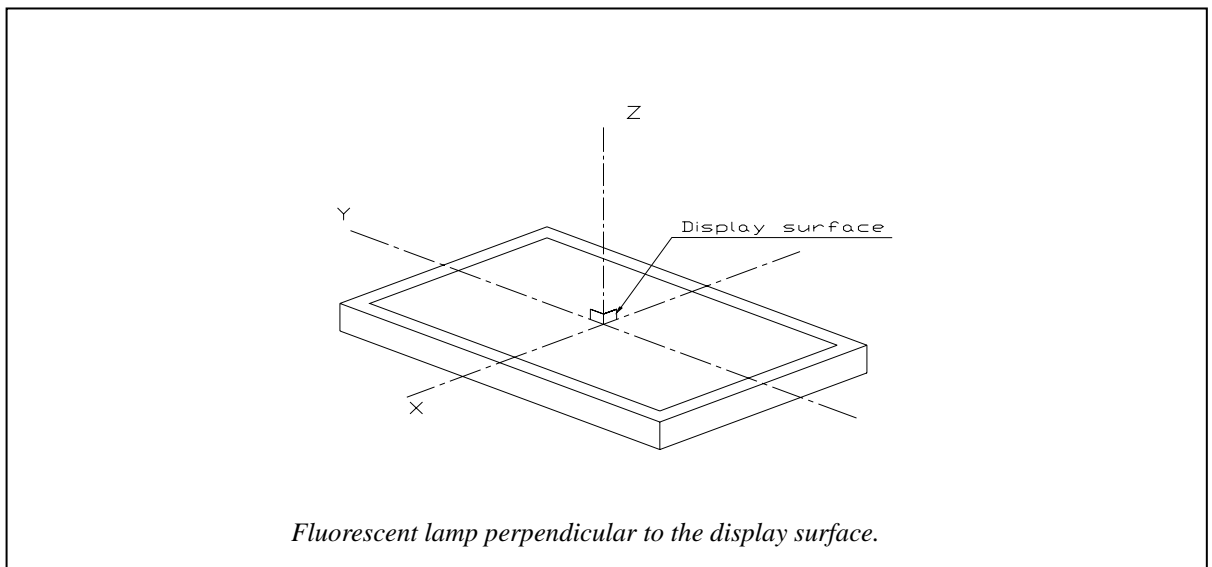
Room temperature: $20\pm 3^{\circ}\text{C}$

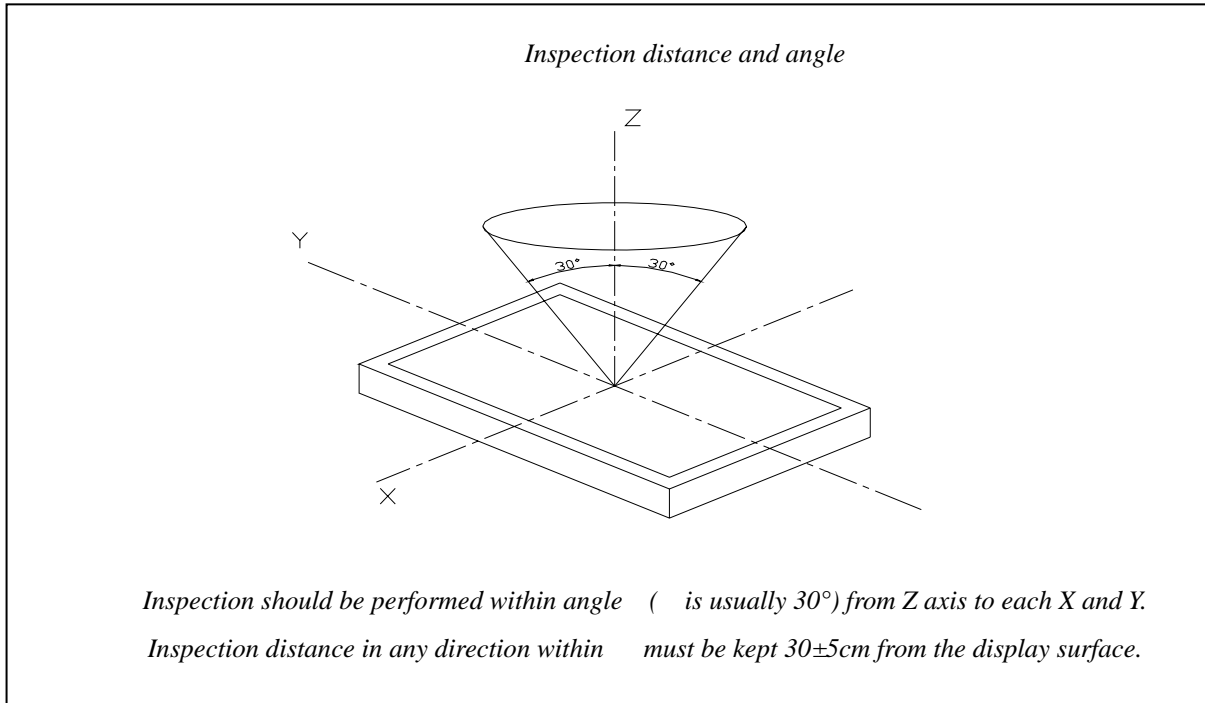
Humidity: $65\pm 20\%RH$

8.1.2 The external visual inspection

With a single 20-watt fluorescent lamp as the light source, the inspection was in the distance of 30cm or more from the LCD to the inspector's eyes .

8.2 LIGHT METHOD





8.3 Classification of defects

9.3.1 Major defect

A major defect refers to a defect that may substantially degrade usability for product applications.

9.3.2 Minor defect

A minor defect refers to a defect which is not considered to be able substantially degrade the product application or a defect that deviates from existing standards almost unrelated to the effective use of the product or its operation.

Shenzhen Frida LCD Co.,Ltd

9. RELIABILITY

9.1 MTBF

The LCD module shall be designed to meet a minimum MTBF value of 50000 hours with normal. (25°C in the room without sunlight)

9.2 TESTS

NO.	Test Item	Test condition	Criterion
1	High Temperature Storage	80 ±2 96H Restore 2H at 25 Power off	After testing, cosmetic and electrical defects should not happen.
2	Low Temperature Storage	-30 ±2 96H Restore 2H at 25 Power off	
3	High Temperature Operation	70 ±2 96H Restore 2H at 25 Power on	
4	Low Temperature Operation	-20 ±2 96H Restore 4H at 25 Power on	
5	High Temperature & Humidity Operation	60 ±2 90%RH 96H Power on	
6	Temperature Cycle	-30 ↔25 ↔80 30min 5min 30min after 10cycle, Restore 2H at 25 Power off	
7	Vibration Test	10Hz~150Hz, 100m/s ² , 120min	
8	Shock Test	Half-sine wave, 300m/s ² , 11ms	
9	Drop Test(package state)	800mm, concrete floor, 1 corner, 3 edges, 6 sides each time	1. After testing, cosmetic and electrical defects should not happen. 2. the product should remain at initial place 3. Product uncovered or package broken is not permitted.

10. PRECAUTIONS FOR USING LCD MODULE

10.1 handing precautions

- (1) *The display panel is made of glass. Do not subject it to a mechanical shock or impact by dropping it.*
- (2) *If the display panel is damaged and the liquid crystal substance leaks out, be sure not to get any in your mouth. If the substance contacts your skin or clothes, wash it off using soap and water.*
- (3) *Do not apply excessive force to the display surface or the adjoining areas since this may cause the color tone to vary.*
- (4) *The polarizer covering the display surface of the LCD module is soft and easily scratched. Handle this polarizer carefully.*
- (5) *If the display surface becomes contaminated, breathe on the surface and gently wipe it with a soft dry cloth. If it is heavily contaminated, moisten a cloth with one of the following solvents:
 - Isopropyl alcohol
 - Ethyl alcohol*
- (6) *Solvents other than those above mentioned may damage the polarizer. Especially, do not use the following:
 - Water
 - Ketone
 - Aromatic solvents*
- (7) *Extra care to minimize corrosion of the electrode. Water droplets, moisture condensation or a current flow in a high-humidity environment accelerates corrosion of the electrode.*
- (8) *Install the LCD Module by using the mounting holes. When mounting the LCD Module, make sure it is free of twisting, warping and distortion. In particular, do not forcibly pull or bend the I/O cable or the backlight cable.*
- (9) *Do not attempt to disassemble or process the LCD Module.*
- (10) *NC terminal should be open. Do not connect anything.*
- (11) *If the logic circuit power is off, do not apply the input signals.*
- (12) *To prevent destruction of the elements by static electricity, be careful to maintain an optimum work environment.
 - Be sure to ground the body when handling he LCD Module.
 - Tools required for assembling, such as soldering irons, must be properly grounded.
 - To reduce the amount of static electricity generated, do not conduct assembling and other*

Shenzhen Frida LCD Co.,Ltd

work under dry conditions.

-The LCD Module is coated with a film to protect the display surface. Exercise care when peeling off this protective film since static electricity may be generated.

10.2 STORAGE PRECAUTIONS

When storing The LCD Module, avoid exposure to direct sunlight of fluorescent lamps. Keep the modules in bags (avoid high temperature/ high humidity and low temperatures below 0). Whenever possible, the LCD Module should be stored in the same conditions in which they were shipped from our company.

10.3 OTHERS

Liquid crystals solidify under low temperature (below the storage temperature range) leading to defective orientation or the generation of air bubbles (black or white). Air bubbles may also be generated if the module is subject to a low temperature.

If the LCD Module have been operating for a long time showing the same display patterns the display patterns may remain on the screen as ghost images and a slight contrast irregularity may also appear. A normal operating status can be recovered by suspending use for some time. It should be noted that this phenomenon does not adversely affect performance reliability.

To minimize the performance degradation of the LCD Module resulting from destruction caused by static electricity etc. exercise care to avoid holding the following sections when handling the modules.

- Exposed area of the printed circuit board.*
- Terminal electrode sections.*

.11. USING LCD MODULES

11.1 LIQUID CRYSTAL DISPLAY MODULES

LCD is composed of glass and polarizer. Pay attention to the following items when handling.

- (1) Please keep the temperature within specified range for use and storage. Polarization degradation, bubble generation or polarizer peel-off may occur with high temperature and high humidity.*
- (2) Do not touch, push or rub the exposed polarizers with anything harder than a HB pencil lead (glass, tweezers, etc).*
- (3) N-hexane is recommended for cleaning the adhesives used to attach front/rear polarizers and reflectors made of organic substances, which will be damaged by chemicals such as acetone, toluene, ethanol and isopropyl alcohol.*
- (4) When the display surface becomes dusty, wipe gently with absorbent cotton or other soft material like chamois soaked in petroleum ether. Do not scrub hard to avoid damaging the display surface.*
- (5) Wipe off saliva or water drops immediately, contact with water over a long period of time may cause deformation or color fading.*
- (6) Avoid contacting oil and fats.*
- (7) Condensation on the surface and contact with terminals due to cold will damage, stain or polarizers. After products are tested at low temperature they must be warmed up in a container before coming in contact with room temperature air.*
- (8) Do not put or attach anything on the display area to avoid leaving marks on.*
- (9) Do not touch the display with bare hands. This will stain the display area and degrade insulation between terminals (some cosmetics are determinate to the polarizers).*
- (10)As glass is fragile, it tends to become or chipped during handling especially on the edges. Please avoid dropping or jarring.*

11.2 INSTALLING LCD MODULE

Attend to the following items when installing the LCM.

- (1) Cover the surface with a transparent protective plate to protect the polarizer and LC cell.*
- (2) When assembling the LCM into other equipment, the spacer to the bit between the LCM and the fitting plate should have enough height to avoid causing stress to the module surface, refer to the individual*

Shenzhen Frida LCD Co.,Ltd

specifications for measurements. The measurement tolerance should be $\pm 0.1\text{mm}$.

11.3 ELECTRO-STATIC DISCHARGE CONTROL

Since this module uses a CMOS LSI, the same careful attention should be paid for electrostatic discharge as for an ordinary CMOS IC.

- (1) Make certain that you are grounded when handling LCM.
- (2) Before removing LCM from its packing case or incorporating it into a set, be sure the module and your body have the same electric potential.
- (3) When soldering the terminal of LCM, make certain the AC power source for the soldering iron does not leak.
- (4) When using an electric screwdriver to attach LCM, the screwdriver should be of ground potentiality to minimize as much as possible any transmission of electromagnetic waves produced sparks coming from the commutator of the motor.
- (5) As far as possible, make the electric potential of your work clothes and that of the workbenches to the ground potential.
- (6) To reduce the generation of static electricity, be careful that the air in the work is not too dried. A relative humidity of 50%-60% is recommended.

11.4 PRECAUTION FOR SOLDERING TO THE LCM

- (1) Observe the following when soldering lead wire, connector cable and etc. to the LCM.

-Soldering iron temperature: $280 \pm 10^{\circ}\text{C}$.

-Soldering time: 3-4 sec.

-Solder: eutectic solder.

If soldering flux is used, be sure to remove any remaining flux after finishing to soldering operation. (This does not apply in the case of a non-halogen type of flux.) It is recommended that you protect the LCD surface with a cover during soldering to prevent any damage due to flux spatters.

- (2) When soldering the electroluminescent panel and PC board, the panel and board should not be detached more than three times. This maximum number is determined by the temperature and time conditions mentioned above, though there may be some variance depending on the temperature of the soldering iron.
- (3) When removing the electroluminescent panel from the PC board, be sure the solder has completely melted, otherwise the soldered pad on the PC board could be damaged.

Shenzhen Frida LCD Co.,Ltd

11.5 PRECAUTIONS FOR OPERATION

- (1) Viewing angle varies with the change of liquid crystal driving voltage (Vo). Adjust Vo to show the best contrast.*
- (2) Driving the LCD in the voltage above the limit will shorten its lifetime.*
- (3) Response time is greatly delayed at temperature below the operating temperature range. However, this does not mean the LCD will be out of the order. It will recover when it returns to the specified temperature range.*
- (4) If the display area is pushed hard during operation, the display will become abnormal. However, it will return to normal if it is turned off and then on.*
- (5) Condensation on terminals can cause an electrochemical reaction disrupting the terminal circuit. Therefore, it must be used under the relative condition of 40°C, 50% RH.*
- (6) When turning the power on, input each signal after the positive/negative voltage becomes stable.*

11.6 STORAGE

When storing LCDS as spares for some years, the following precaution are necessary.

- (1) Store them in a sealed polyethylene bag. If properly sealed, there is no need for desiccant.*
- (2) Store them in a dark place. Do not expose to sunlight or fluorescent light, keep the temperature between 0°C and 35°C.*
- (3) The polarizer surface should not come in contact with any other objects. (We advise you to store them in the container in which they were shipped.)*
- (4) Environmental conditions:*
 - Do not leave them for more than 168hrs. at 60 °C.*
 - Should not be left for more than 48hrs. at -20 °C.*