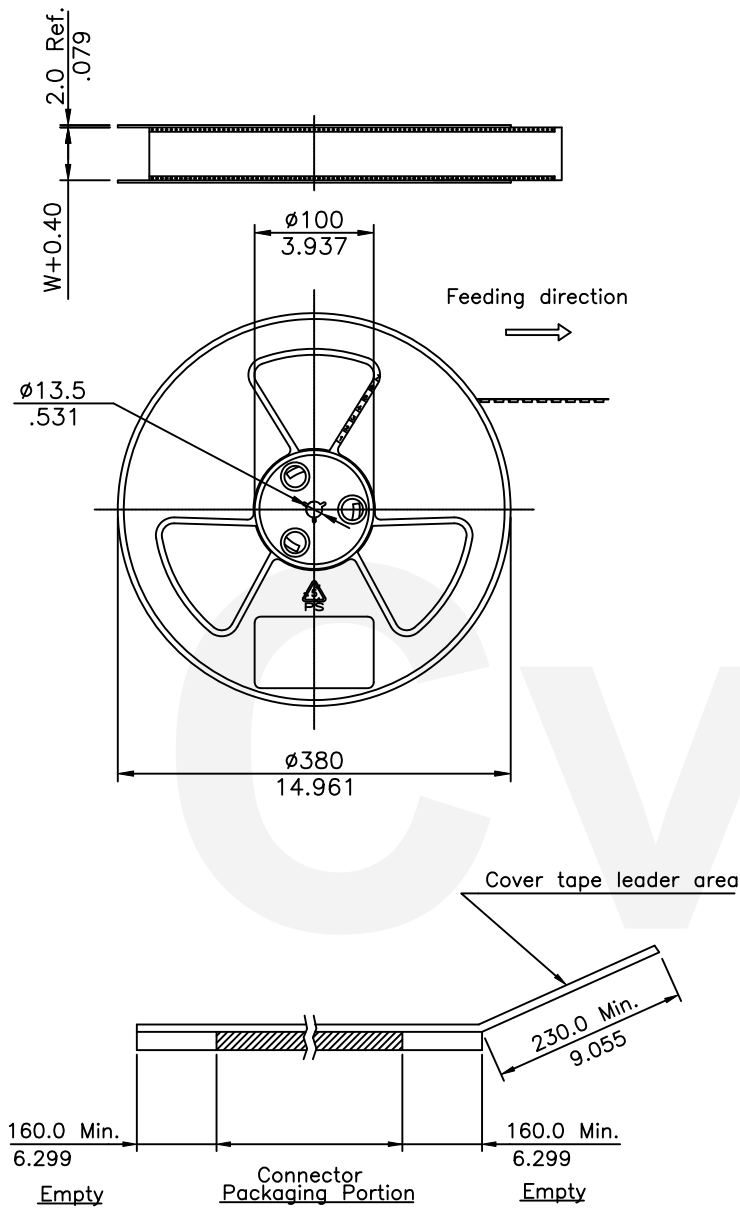
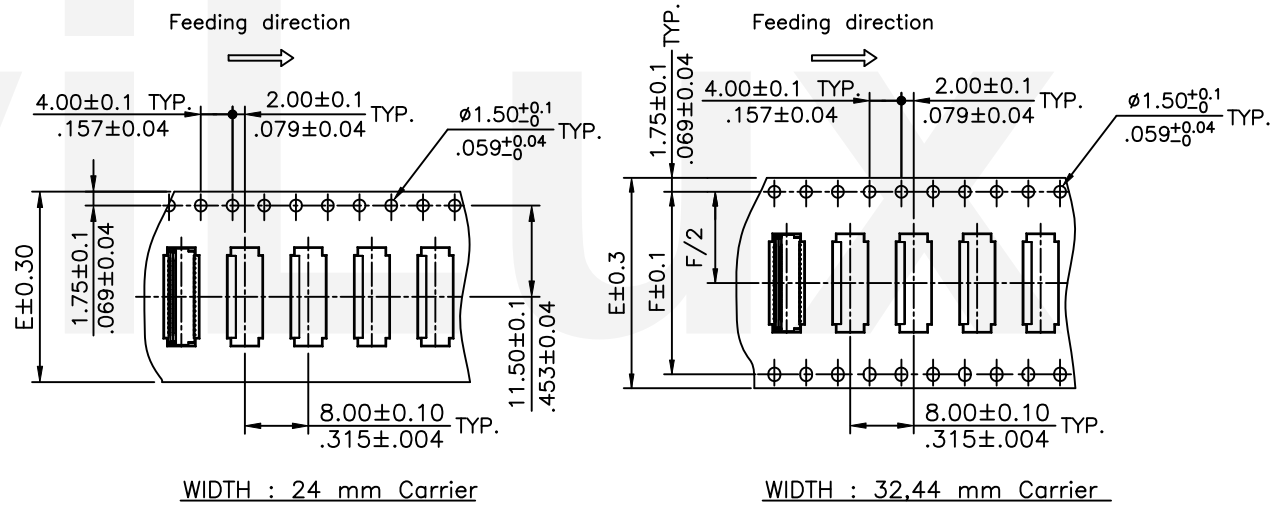


NOTE :

1. Material : PS, Black
2. All dimensions meet EIA-481-3 requirements.
3. Packing Quantity: 5000PCS/REEL




Circuits				Packing (Reel/Carton)
	E	F	W	
7~39	24.0(.945)	—	24.0(.945)	10
41~51	32.0(1.260)	28.4(1.118)	32.0(1.260)	8
53~71	44.0(1.732)	40.4(1.591)	44.0(1.732)	6



WIDTH : 24 mm Carrier

WIDTH : 32.44 mm Carrier

RoHS Compliant

4					DATE	UNIT: mm / inch	TITLE: TAPE & REEL PACKAGING FOR CF43 SERIES	 瀚荃股份有限公司 CviLux Corporation
3				DRAWN BY: Karen	12/16-21'	TOLERANCE UNLESS OTHERWISE SPECIFIED	MATERIAL:	
2				ENGINEER: Sun	12/20-21'	.X ±	FINISH:	
1	Karen	12/07-21'	ECNT121304/ECRT121083	CHECKED BY: Eisley	12/27-21'	.XX ±		DRAWING NO. CF4302SB
SYM	NAME	DATE	REVISIONS	APPROVED BY: Eisley	12/27-21'	.XXX ±	SCALE	SHEET 3 OF 3

CVILUX
2021.12.30
ISSUED