



# 规格书

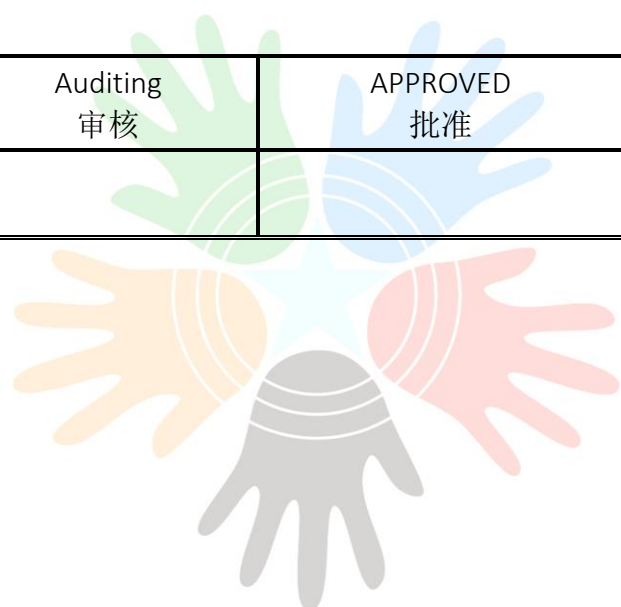
## SPECIFICATION

CUSTOMER 客户: SYMMETRON  
PRODUCT 产品名称: 40 Double membrane earless external magnetic speaker  
Part No. 型号: STF-BIS-D8-3W-R01

EXECUTION 制作	Project 工程	Quality 品质	APPROVED 批准
韩	陈德民	高小姐	吴总

### 客户承认(CUSTOMER APPROVAL)

Project 工程	Quality 品质	Auditing 审核	APPROVED 批准





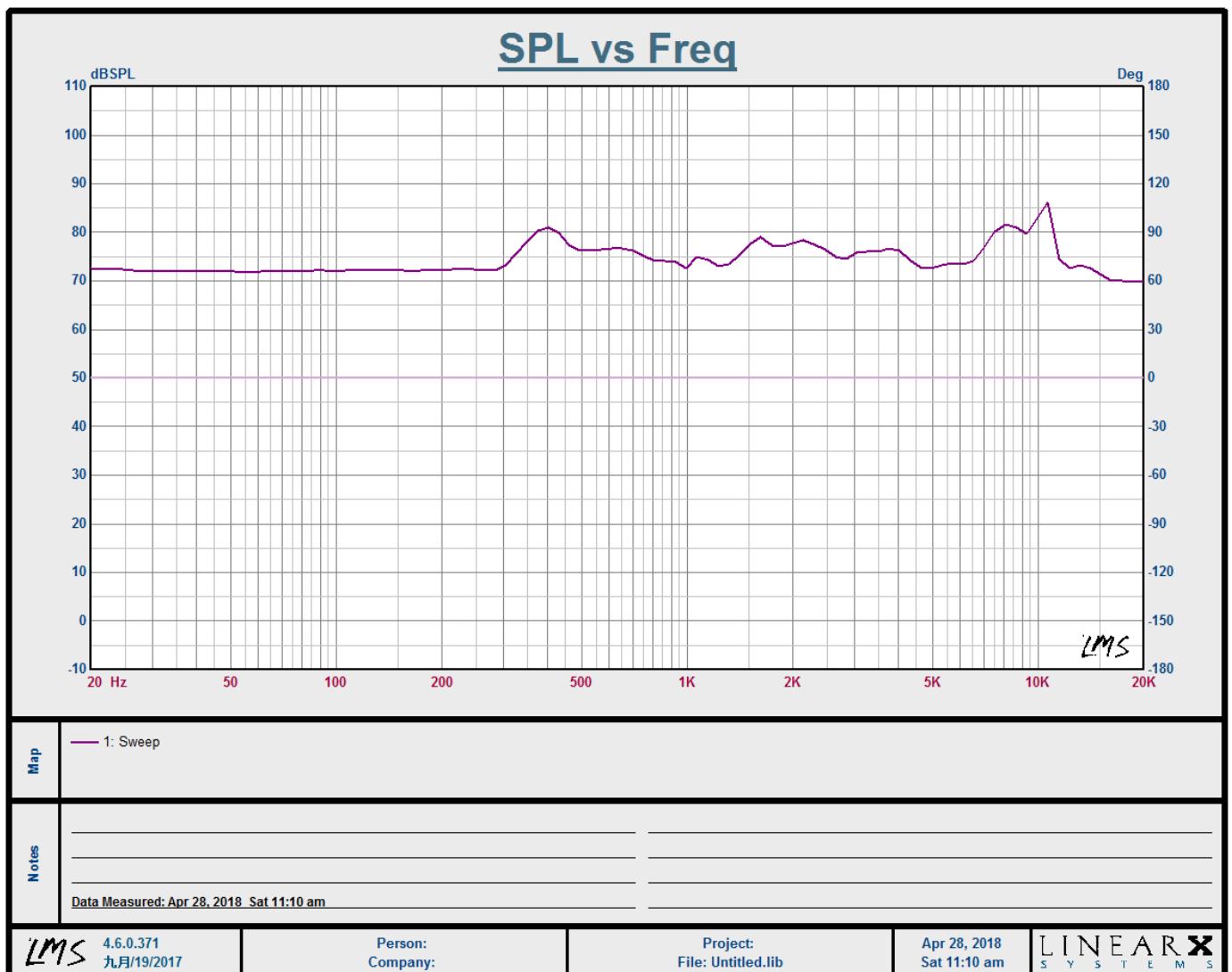
## B. SPECIFICATION 規格

No.	Item	Symbol	Unit	Specification	Condition
1	Dimension 尺寸		mm	$\Phi 99 \pm 0.2$ mm 45 $\pm 0.2$ mm 25( h )	Refer to attached drawing in details
2	Nominal input Power 正常輸入功率		W	3W	Speaker is probably damaged if the nominal input power is more than 5W
3	Max. Input Power 最大輸入功率		W	5W	Should not be audible buzz and rattle at (7W) RMS sine wave for one minute. Between (150Hz to 3KHz )
4	Impedance 阻抗	$\Omega$	ohm	8 $\pm$ 15%	At 150kHz 2.5v
5	Resonance Frequency 低音諧振	Fo	Hz	400 $\pm$ 20%	At 3V
6	Output S.P.L. 音壓位準		dB	77 $\pm$ 3dB(0.1w/10cm)	At 0.8k,1.2k,1.5k,2.83kHz (Average figures)
7	Frequency Rang 有效頻寬		Hz	400---12K	Output S.P.L. $\pm 10$ dB
8	Distortion 失真		%	10% Max.	At 2kHz ,5W
9	Voice Coil 音圈		mm		
10	Magnet 磁石		mm		
11	Polarity 極性			When a positive D.C Voltage is applied to the terminal Marked (+) or red, the diaphragm should move to the front.	



12	Operating temp. 操作溫度		°C	-30~+85	
13	Buzze & Rattle 異常音				Not be audible at 7Vsine wave between fo ~ 10KHz 輸入 3.5v 正弦波從 fo120 到 3KHz 之間無異常音
14	Weight 重量		g		

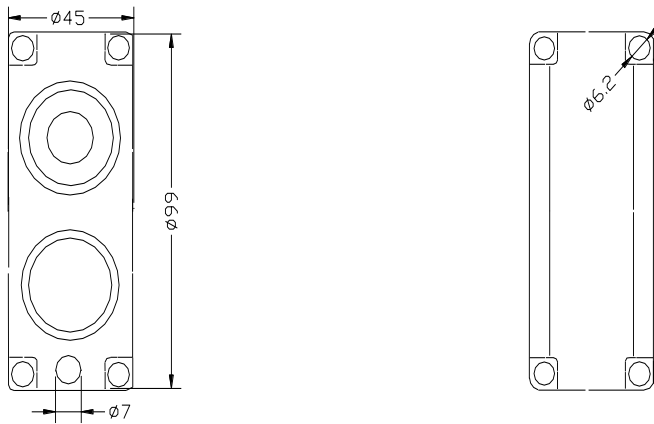
### C. TYPICAL FREQUENCY RESPONSE CURVE





## D. APPEARANCE DRAWING 外觀尺寸圖

Unless otherwise specified, tolerance:  $\pm 0.2$  (unit: mm)



Cable Length: 780mm

Connector Type: PH2.0-4P

All above information are provided by Sinotronics BTP-Stefancier Product Team, in case of any question, please feel free to contact us: [info@sinotronics.com](mailto:info@sinotronics.com).

