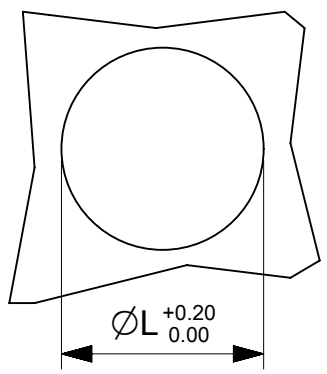


Cable gland is provided with No.2 cable grommets to cover cable diameter 19-27mm and 27-36mm



FORATURA PANNELLO
PANEL DRILLING



ØL
mm
47.5

SYMBOLS DIMENSION UNITS: mm SCALE: 1:1 GENERAL TOLERANCES (UNLESS SPECIFIED) ANGULAR TOL ± ° 4 PLACES ± 3 PLACES ± 2 PLACES ± 1 PLACE ± 0 PLACES ± DRAFT WHERE APPLICABLE MUST REMAIN WITHIN DIMENSIONS	THIS DRAWING CONTAINS INFORMATION THAT IS PROPRIETARY TO MOLEX ELECTRONIC TECHNOLOGIES, LLC AND SHOULD NOT BE USED WITHOUT WRITTEN PERMISSION		CURRENT REV DESC:					
	EC NO: 170943		2018/01/17					
	DRWN: AKHEMIRI		2018/01/17					
	CHK'D: DMERONI		2018/01/17					
APPR: AMELZI		2018/01/19						
INITIAL REVISION:		2018/01/15						
DRWN: AKHEMIRI		2018/01/19						
APPR: AMELZI		2018/01/19						
FIRST ANGLE PROJECTION		DRAWING		SERIES	DOCUMENT NUMBER	DOC TYPE	DOC PART	REVISION
A4-SIZE		93600		936000022	PSD	000	A	
MATERIAL NUMBER		CUSTOMER		SHEET NUMBER				
936000022		GENERAL MARKET		1 OF 1				

DOCUMENT STATUS	P1	RELEASE DATE	2018/01/19	12:05:48
-----------------	----	--------------	------------	----------