



DESCRIPTION: 10W 1.5KVDC Wide Voltage Input DC/DC Converters

The rated output power of TP10DB converters is 10W, the outline dimensions is "25.4*25.4*12.7", 2:1, 4:1 wide input voltage range, the voltage range is 18-36V, 36-72V, 9V-36V, 18V-72V. The accuracy of the converter can reach $\pm 1\%$, it can be widely used in telecommunications, railway transportation, instrument and etc.

FEATURES

10W output power	Long-term short-circuit protection, Auto recovery	High switching frequency, High output density
Metal shell package (full shield)	With remote control and output adjustment function	RoHS compliant

SELECTION GUIDE

Part Number	Input Voltage		Output		Efficiency (Typ) %	Maximum capacitive load (uF)
	Voltage (VDC)		Voltage (VDC)	Current (A)		
	Rated	Range values				
TP10DB24S05	24(2:1)	18-36	5	2.00	84	2200
TP10DB24S12	24(2:1)	18-36	12	0.83	87	470
TP10DB24S15	24(2:1)	18-36	15	0.67	87	470
TP10DB24S24	24(2:1)	18-36	24	0.42	86	470
TP10DB48S05	48(2:1)	36-72	5	2.00	84	2200
TP10DB48S12	48(2:1)	36-72	12	0.83	87	470
TP10DB48S15	48(2:1)	36-72	15	0.67	87	470
TP10DB48S24	48(2:1)	36-72	24	0.42	86	470
TP10DB24S05W	24(4:1)	9-36	5	2.00	84	2200
TP10DB24S12W	24(4:1)	9-36	12	0.83	87	470
TP10DB24S15W	24(4:1)	9-36	15	0.67	87	470
TP10DB24S24W	24(4:1)	9-36	24	0.42	86	470
TP10DB48S05W	48(4:1)	18-72	5	2.00	84	2200
TP10DB48S12W	48(4:1)	18-72	12	0.83	87	470
TP10DB48S15W	48(4:1)	18-72	15	0.67	83	470
TP10DB48S24W	48(4:1)	18-72	24	0.42	86	470

Input voltage 9-18VDC, start-up voltage 9.5-18VDC, input voltage 9-36VDC, start-up voltage 9.5-36VDC.

All specifications typical at TA=25°C, nominal input voltage and rated output current unless otherwise specified

INPUT CHARACTERISTICS

Parameter	Conditions	Min	Typ	Max	Units
Input Voltage	24V Input module(18V-36V)	18	24	36	VDC
Input Voltage	48V Input module(36V-72V)	36	48	72	VDC
Input Voltage	24V Input module(9V-36V)	9.5	24	36	VDC
Input Voltage	48V Input module(18V-72V)	18	48	72	VDC
Remote Control	CNT side plus level, the reference voltage is -Vin	High frequency electric or floating, low level or ground power supply work, output power was turned off			

OUTPUT CHARACTERISTICS

Parameter	Conditions	Min	Typ	Max	Units
Voltage accuracy				± 1	%
Adjustment rate				± 0.2	%
Load effect				± 0.5	%
Dynamic Response	50~75% Load			$\pm 4\%V_o$ Overshoot	%
Dynamic Response	50~25% Load			400 μ S Recovery Time	%
Temperature drift coefficient			± 0.02		%/°C
Ripple & Noise	20MHz Bandwidth			100	mVp-p

GENERAL CHARACTERISTICS

Parameter	Conditions	Min	Typ	Max	Units
Isolation voltage	Input-Ouput		1500		VDC
Isolation voltage	Input - shell		1500		VDC
Isolation voltage	Output nput - shell		500		VDC
Insulation resistance	500VDC		100		MΩ
Switching frequency			300		KHZ
Environment temperature		-40		+95	℃
Working case temperature		-40		+95	℃
Storage temperature		-40		+105	℃
Relative humidity		10		90	%
MTBF	Mil HDBK 217F Tc=25℃		2 × 10 ⁶		

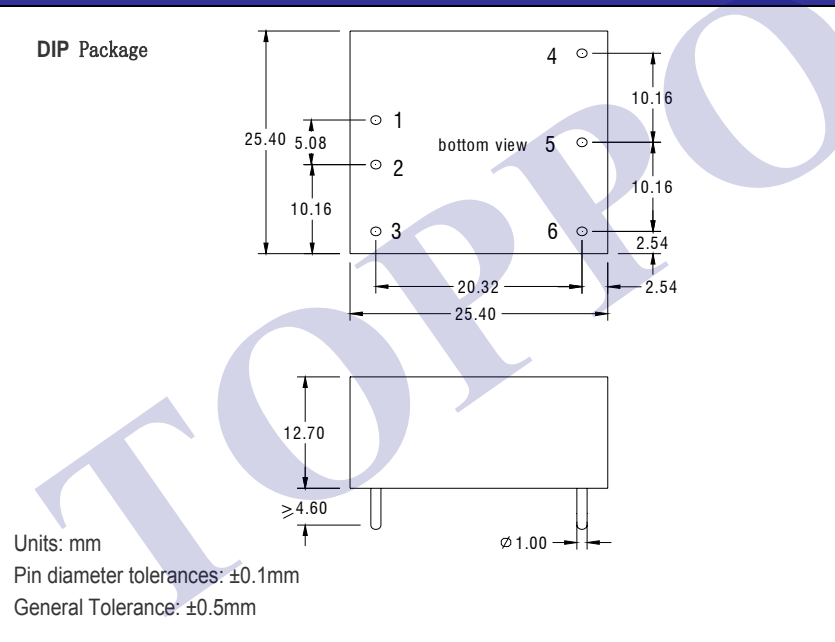
PROTECTION CHARACTERISTICS

Parameter	Conditions
Output Over-current protection	Auto recovery
Output Short -circuit protection	Auto recovery

NOTES

- 1、 The maximum temperature can not exceed the specified value While product work.
- 2、 The highest working environment temperature of product is variable, the cooling conditions and the actual use of power changes will affect the product's maximum working temperature.
- 3、 This series of high power density products, more heat dissipation, cooling area is limited; In high temperature environment & full-Load, it is recommended to use auxiliary cooling measures (plus radiator, paste the metal box wall, etc.) to ensure that The temperature of the product substrate does not exceed the specified value.

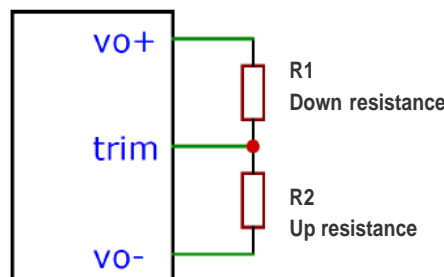
MECHANICAL DIMENSIONS



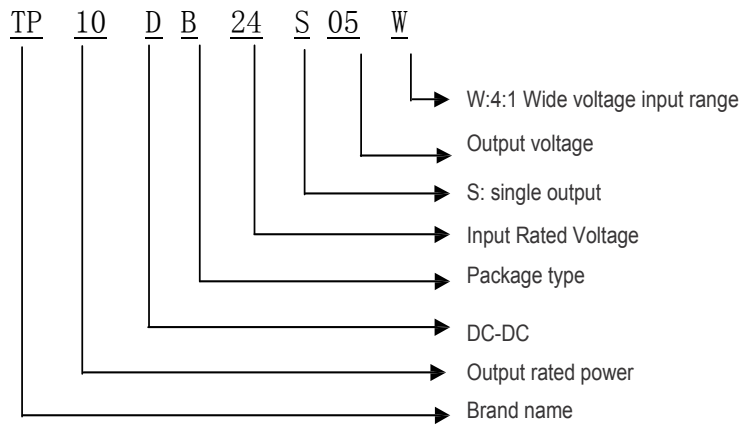
PIN CONNECTION

PIN	Single output
1	+Vin
2	-Vin
3	CNT
4	+V0
5	NP
6	GND

OUTPUT ADJUSTMENT SCHEMATIC DIAGRAM



MODEL SELECTION



TOPPOWER