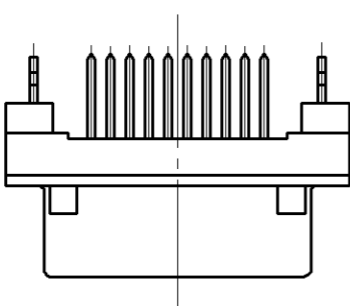
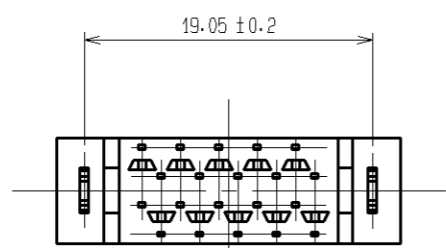
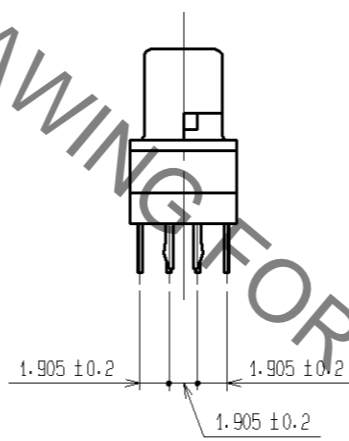
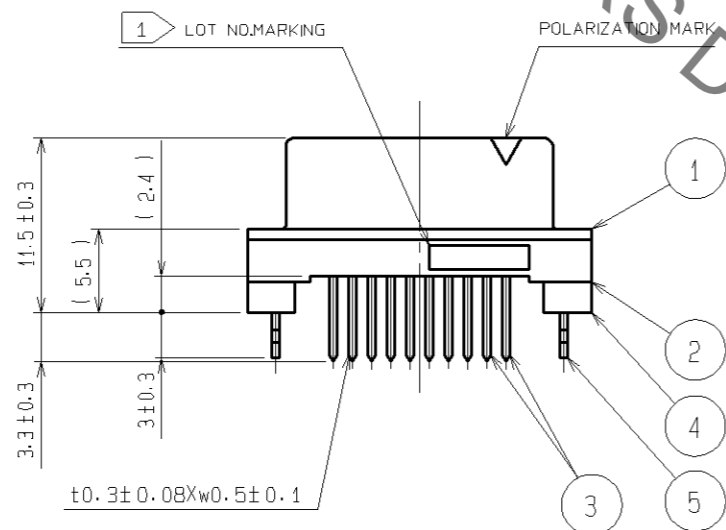
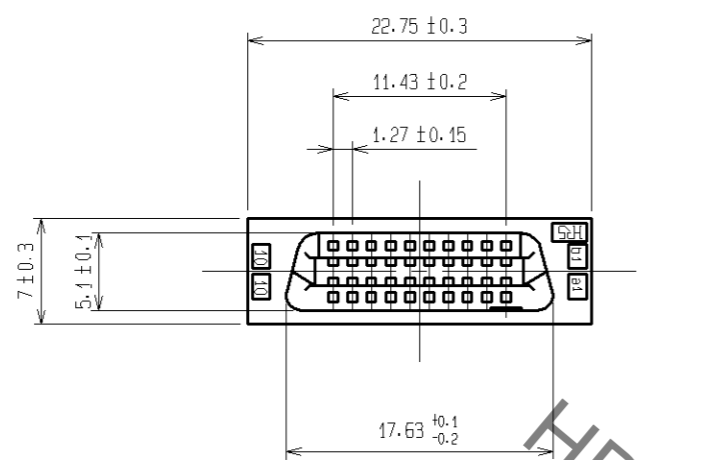
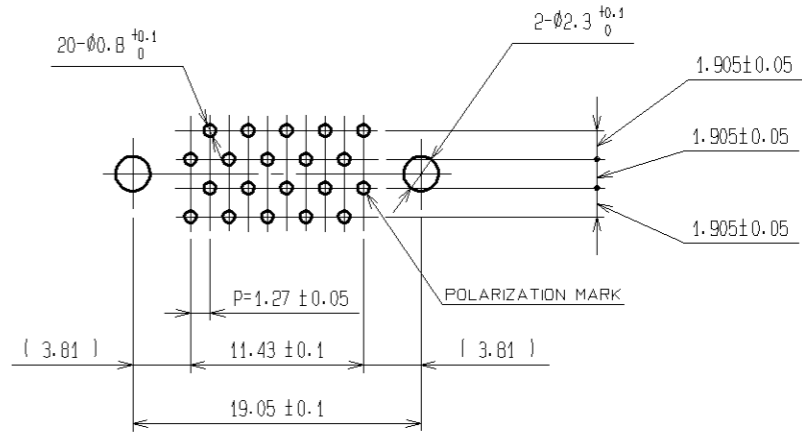


Sep.1.2020 Copyright 2020 HIROSE ELECTRIC CO., LTD. All Rights Reserved.  
In case of consideration for using Automotive equipment / device which demand high reliability, kindly contact our sales window correspondents.



RECOMMENDED PC BOARD HOLE PATTERN  
(MOUNTING SIDE) t=1.6



HRS DRAWING FOR REFERENCE

NOTE 1 LOT NO. MARKING SIDE SHALL BE OPTIONAL.  
2 THE DIMENSIONS IN PARENTHESES ARE FOR REFERENCE.

5	PHOSPHOR BRONZE	TIN-PLATING	3	PHOSPHOR BRONZE	CONTACT AREA:GOLD 0.2 μm min.			
1,2,4	POLYAMIDE	BLACK UL94V-0			DIP AREA:TIN-PLATING 2 μm min.			
					UNDER PLATING:NICKEL 2 μm min.			
NO.	MATERIAL	FINISH. REMARKS	NO.	MATERIAL	FINISH. REMARKS			
UNITS mm		SCALE 2 : 1	COUNT △	DESCRIPTION OF REVISIONS		DESIGNED	CHECKED	DATE
<b>HRS</b> HIROSE ELECTRIC CO., LTD.		APPROVED : HS.OKAWA	06.09.25	DRAWING NO. EDC3-083267-21				
		CHECKED : HS.OZAWA	06.09.25	PART NO. FX2CA2-20S-1.27DSAL(71)				
		DESIGNED : TK.YANAGISAWA	06.09.25	CODE NO. CL572-2571-7-71				
		DRAWN : TK.YANAGISAWA	06.09.25					