

FEATURES

1. Universal AC input 90~264VAC
2. Built-in active PFC function
3. Protections:Short circuit /Overload /Over voltage /Over temperature
4. Built-in cooling Fan ON-OFF control
5. 1U low profile 30mm
6. Forced air cooling by built-in DC fan
7. 100%full load burn-in test
8. LED indicator for power on
9. High reliability
10. 3 years warranty
11. Compliance to IEC/EN/UL 62368-1



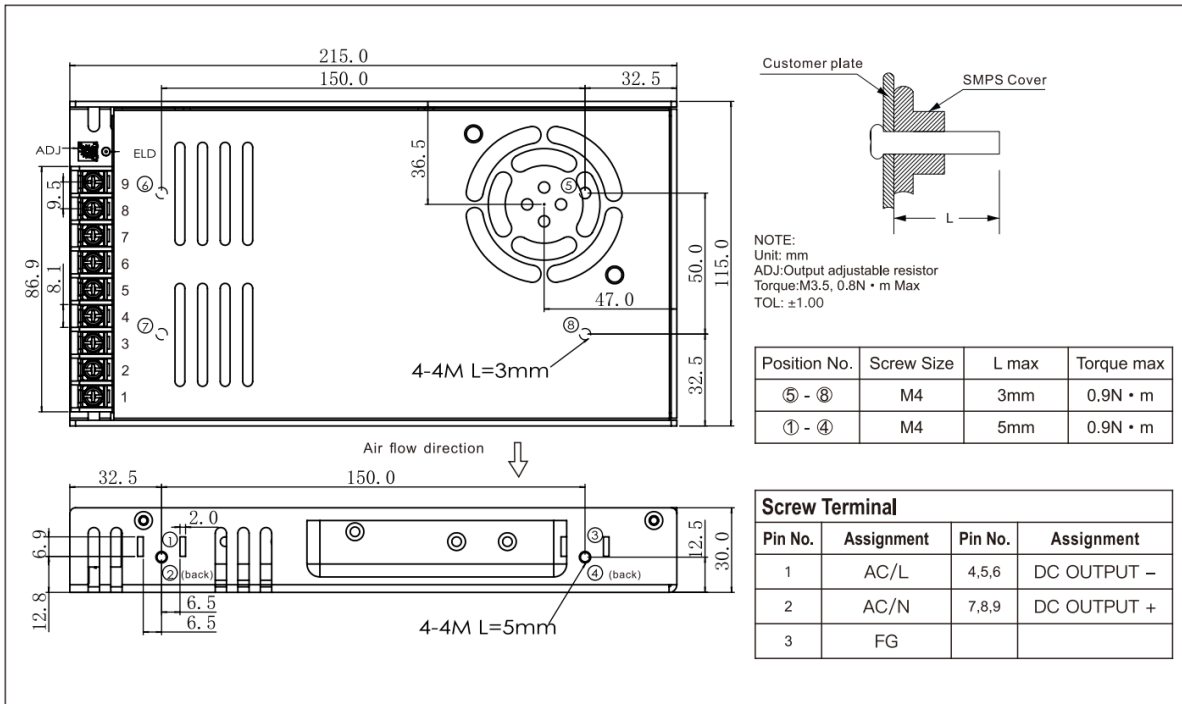
3 years
Warranty

Specification

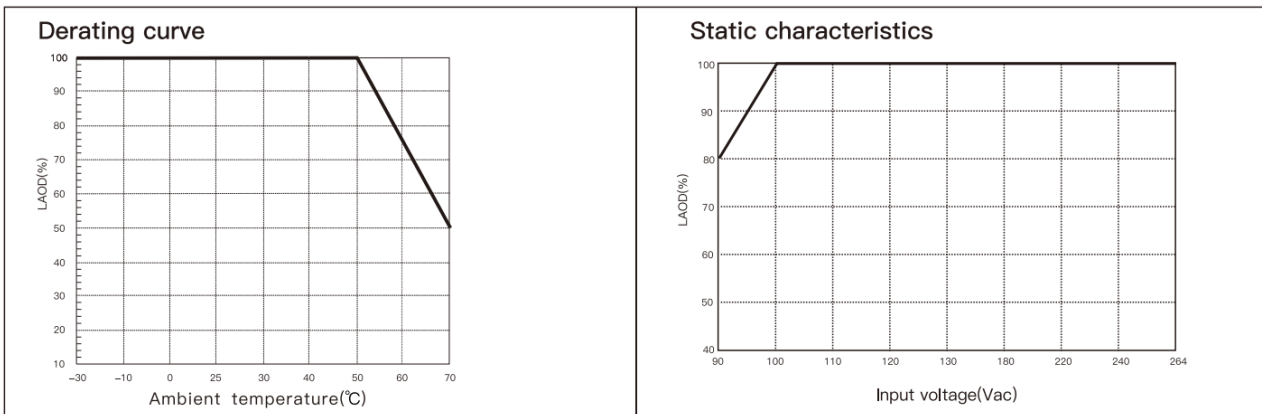
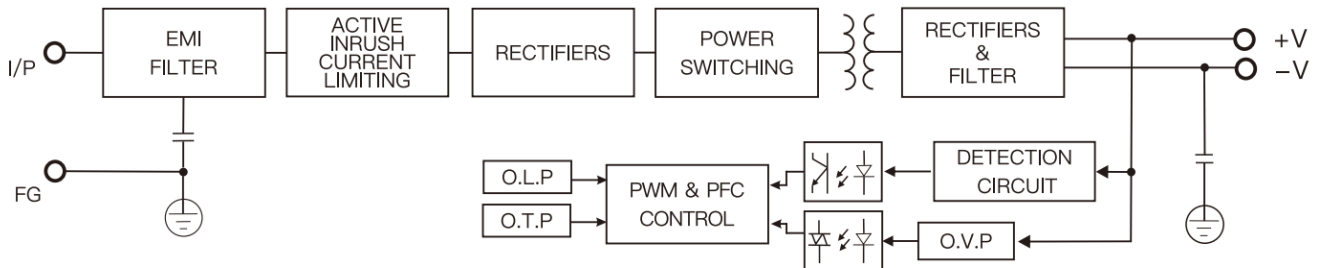
MODEL		RAMF350-05	RAMF350-7.5	RAMF350-12	RAMF350-15	RAMF350-24	RAMF350-36	RAMF350-48
INPUT	VOLTAGE RANGE	90~264VAC 127~370VDC(refer to `static characteristic`)						
	FREQUENCY RANGE	47~63Hz						
	POWER FACTOR(Typ.)	PF>0.95/230VAC PF>0.98/115VAC at full load						
	EFFICIENCY(Typ.)	84.5%	88%	88.5%	88.5%	90%	90%	91%
	AC CURRENT(Typ.)	4A/115VAC 2A/230VAC						
	INRUSH CURRENT(Typ.)	20A/115VAC 40A/230VAC (cold start)						
	LEAKAGE CURRENT	<1mA/240VAC						
OUTPUT	DC VOLTAGE	5V	7.5V	12V	15V	24V	36V	48V
	RATED CURRENT	60A	46A	29A	23.3A	14.6A	9.7A	7.3A
	CURRENT RANGE	0~60A	0~46A	0~29A	0~23.3A	0~14.6A	0~9.7A	0~7.3A
	RATED POWER	300W	345W	348W	349.5W	350.4W	349.2W	350.4W
	RIPPLE&NOISE(max.)	150mVp-p	150mVp-p	150mVp-p	150mVp-p	150mVp-p	200mVp-p	200mVp-p
	VOLTAGE ADJ.RANGE	4.5~5.5V	6~9V	10.2~13.8V	13.5~18V	21.6~28.8V	32.4~39.6V	43.2~52.8V
	VOLTAGE TOLERANCE	±3%	±2%	±1.5%	±1%	±1%	±1%	±1%
	LINE REGULATION	±0.5%	±0.5%	±0.5%	±0.5%	±0.5%	±0.5%	±0.5%
	LOAD REGULATION	±2%	±1%	±1%	±1%	±0.5%	±0.5%	±0.5%
	SETUP,RISE TIME	1500ms,50ms/230VAC 3000ms,50ms/115VAC						
	HOLD UP TIME(Typ.)	8ms/230VAC 8ms/115VAC						
PROTECTION	OVER LOAD	110%~140% rated output power Protection type:Constant current limiting>3s,then hiccup,recovers automatically after fault condition is removed						
	OVE VOLTAGE	5.75~6.75V	9.4~10.9V	13.8~16.2V	18.8~21.8V	28.8~33.6V	41.4~48.6V	55.2~64.8V
		Protection type:Hiccup mode,recovers automatically after fault condition is removed						
	OVER TEMPERATURE	Protection type:Hiccup mode,recovers automatically after fault condition is removed						
FUNCTION	FAN ON/OFF CONTROL(Typ.)	RTH2≥50°C FAN ON,≤40°C FAN OFF						
ENVIRONMENT	WORKING TEMP.,HUMIDITY	-30~+70°C(Refer to"Derating curve"),20~90%RH non-condensing						
	STORAGE TEMP.,HUMIDITY	-40~+85°C,10~95%RH						

	TEMP.COEFFICIENT	±0.03%/°C(0~50°C)		
	VIBRATION	10~500Hz,2G 10min./1 cycle,each along X、Y、Z axes		
Safety and electromagnetic compatibility	Safety standards	Refer to UL62368-1,TUV EN62368-1,CCC GB4943.1		
	Withstand voltage and isolation resistance	I/P-O/P:3KVac;100MΩ/500Vdc/25°C/70%RH		
		I/P-FG:2KVac;100MΩ/500Vdc/25°C/70%RH		
		O/P-FG:0.5KVac;100MΩ/500Vdc/25°C/70%RH		
	Electromagnetic	Parameter	Standard	Test Level / Note
		Conducted emission	BS EN/EN55032(CISPR32),FCC PART 15/CISPR22,GB9254.1	Class B
		Radiated emission	BS EN/EN55032(CISPR32),FCC PART 15/CISPR22,GB9254.1	Class B
		Harmonic current	BS EN/EN61000-3-2,GB17625.1	Class A
		Voltage flicker	BS EN/EN61000-3-3	
	Electromagnetic compatibility immunity	BS EN/EN55035		
		Parameter	Standard	Test Level / Note
		ESD	BS EN/EN61000-4-2	Level 4,8KV air,Level 2,4KV contact,criteria A
		RF field susceptibility	BS EN/EN61000-4-3	Level 3,criteria A
EFT bursts		BS EN/EN61000-4-4	Level 3,criteria A	
Surge susceptibility		BS EN/EN61000-4-5	Level 3,1KV/L-N,2KV/L/N-FG criteria A	
Conducted susceptibility		BS EN/EN61000-4-6	Level 3,criteria A	
Magnetic field immunity		BS EN/EN61000-4-8	Level 4,criteria A	
Voltage dips and interruptions		BS EN/EN61000-4-11	>95% dip 0.5 periods,30% dip 25 periods,>95% interruptions 250 periods	
OTHERS	MTBF	≥300Khrs MIL-HDBK-217F(25°C)		
	DIMENSION	215*115*30mm(L*W*H)		
	PACKING	0.8Kg;15pcs/13Kg/0.77CUFT		
NOTE	<p>1.All parameters NOT specially mentioned are measured at 230VAC input,rated load and 25°C of ambient temperature</p> <p>2.Ripple & noise are measured at 20MHz of bandwidth by using a 12"twisted pair-wire terminated with a 0.1uF & 47uF parallel capacitor</p> <p>3.Tolerance:includes set up tolerance,line regulation and load regulation.</p> <p>4.Line regulation is measured from low line to high line at rated load.</p> <p>5.Load regulation is measured from 0% to 100% rated load</p> <p>6.Length of set up time is measured at cold first start,Turning ON/OFF the power supply very quickly may lead to increase of the set up time.</p> <p>7.The ambient temperature derating of 5°C/1000m is needed for operating altitude great than 2000m(6500ft)</p> <p>8.The power supply is considered a component which will be installed into a final equipment. All the EMC tests are been executed by mounting the unit on a 360mm*360mm metal plate with 1mm of thickness.The final equipment must be re-confirmed that it still meets EMC directives</p>			

Mechanical specification



Block diagram



NORPAS-POWER TECHNOLOGY CO., LTD.

www.norpas-power.com Mail: info@norpas-power.com

Specifications can be changed without notice! Make sure you are using the latest documentation, downloadable at www.norpas-power.com

REV:07/2024