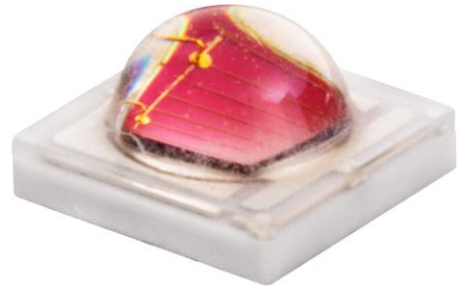


## MOH3535-PL-R660-D Datasheet

This 3535 LED Light Source is a high performance energy efficient device which can handle high thermal and high driving current. The small package outline and high intensity make it an ideal choice for LED panel light, LED bulb light, LED tube light and etc.

This part has a foot print that is compatible to most of the same size LED in the market today.



### FEATURES

---

- High luminous Intensity and high efficiency
- Compatible with reflow soldering process
- Low thermal resistance
- Long operation life
- Wide viewing angle at 120°
- Silicone encapsulation
- Environmental friendly, RoHS compliance

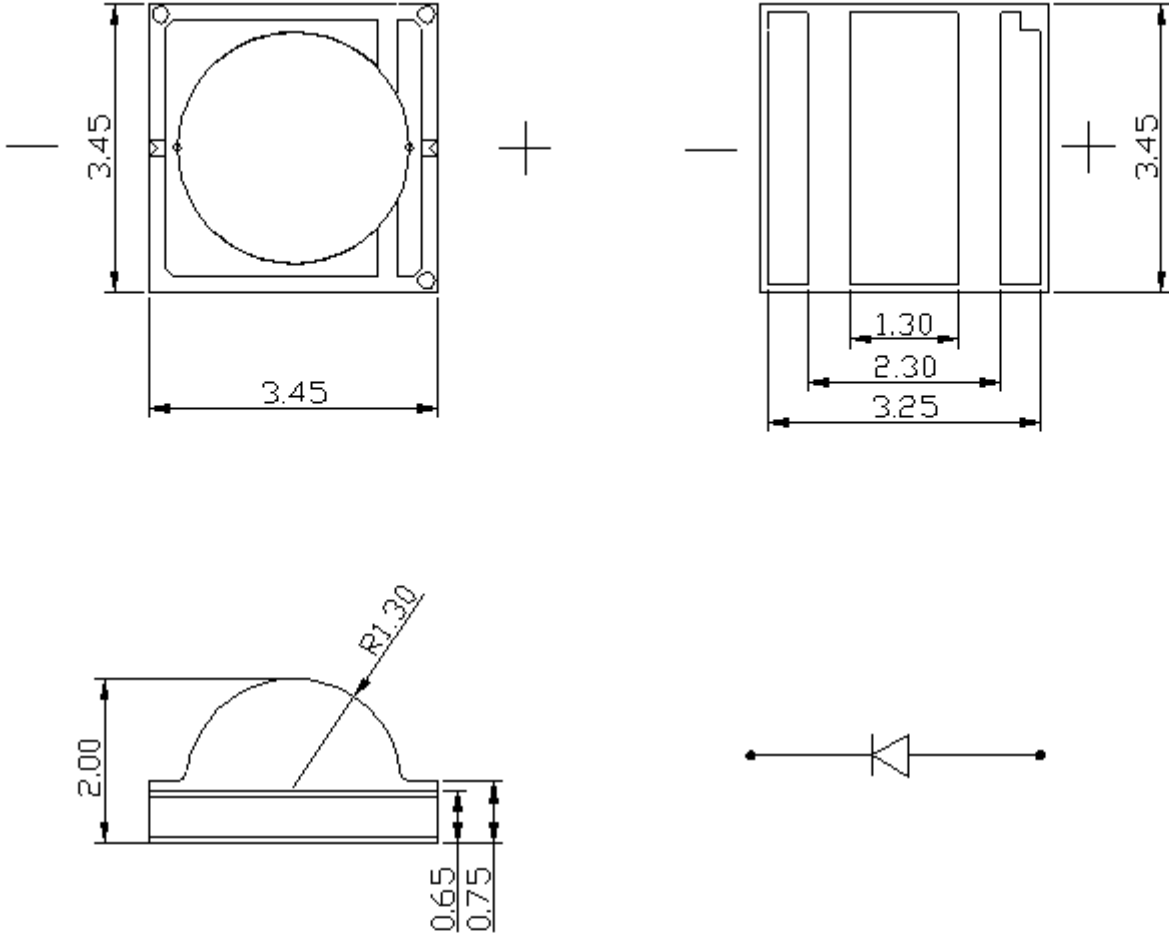
### APPLICATIONS

---

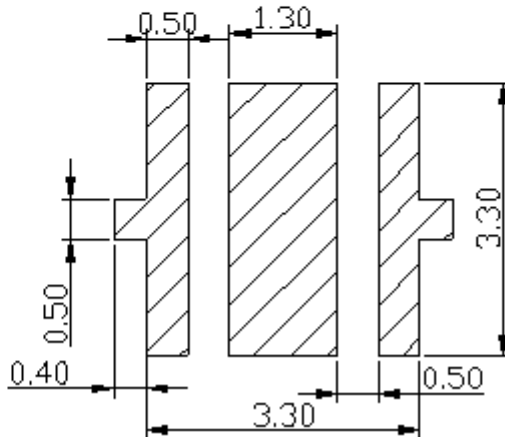
- Horticulture lighting

Note: The information in this document is subject to change without notice.

**PACKAGE DIMENSIONS**



**Recommended Solder Pad Design**



**Notes:**

1. All dimensions in millimeters.
2. Thickness tolerance of copper plate is  $\pm 0.02$ mm.
3. Thickness tolerance of product is  $\pm 0.05$ mm.
4. Tolerance is  $\pm 0.1$ mm unless otherwise noted.

**ABSOLUTE MAXIMUM RATINGS**

Item	Symbol	Absolute Maximum Rating	Unit
Forward current	$I_F$	1000	mA
Peak Forward Current <sup>[1]</sup>	$I_{FP}$	1250	mA
Reverse Voltage	$V_R$	5	V
Power Dissipation	$P_d$	2400	mW
Operating Temperature	$T_{opr}$	-40~+85	°C
Storage Temperature	$T_{stg}$	-40~+100	°C
Soldering Temperature	$T_{sld}$	Reflow Soldering: 260°C for 10 seconds	
LED Junction Temperature	$T_j$	125	°C

Note:

$I_{FP}$  Conditions: Pulse Width  $\leq$  10msec. and Duty  $\leq$  1/10.

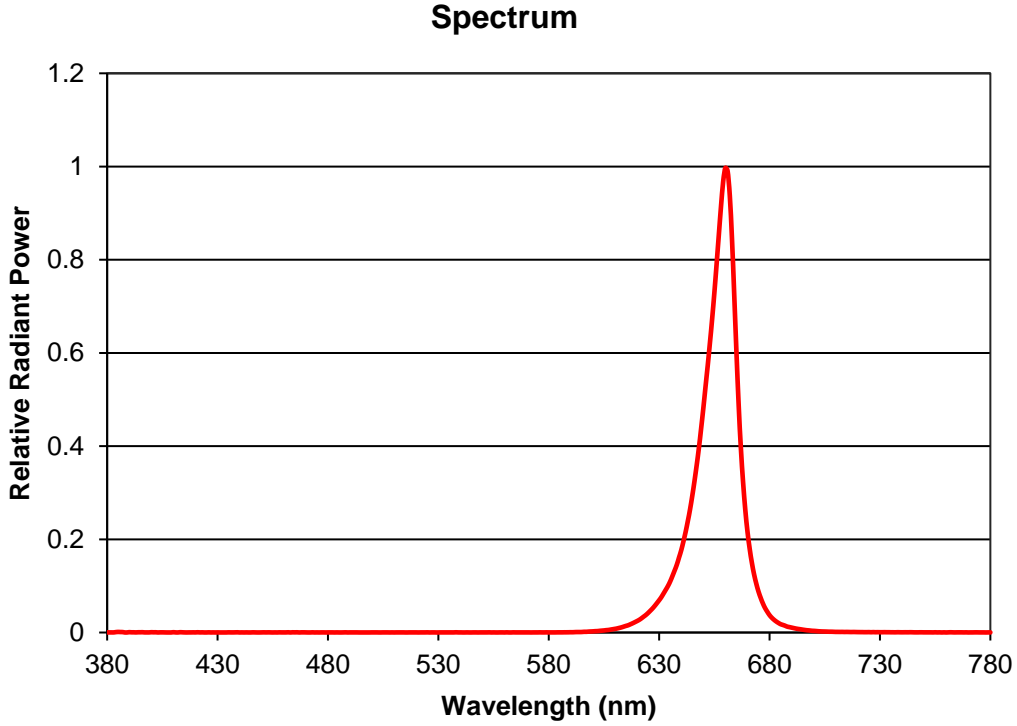
**CHARACTERISTICS (T<sub>j</sub>=25°C)**

Parameter	Symbol	Condition	Min	Typ	Max	Unit
Forward Voltage <sup>[1]</sup>	$V_F$	$I_F=700mA$	2.0	--	2.6	V
Viewing Angle	$2\theta_{1/2}$	$I_F=700mA$	--	130	--	deg.
Radiation Power	$\Phi_e$	$I_F=700mA$	--	1070	--	mw
Peak Wavelength	$\lambda_P$	$I_F=700mA$	650	--	670	nm
Photon Flux	PPF	$I_F=700mA$	--	5.88	--	umol/s
Photon Flux Efficiency	PPE	$I_F=700mA$	--	3.72	--	umol/J
Thermal Resistance (Junction to Solder Point)	$R_{th-js}$	$I_F=700mA$	--	3	--	°C/W

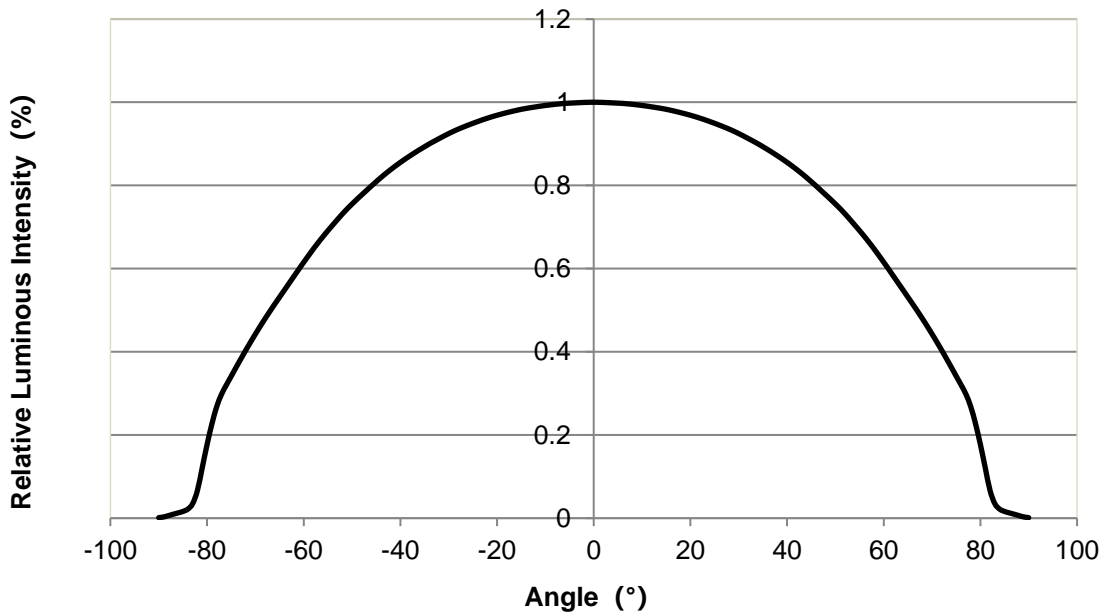
Notes:

- Luminous flux is measured with an accuracy of  $\pm 10\%$ .
- Chromaticity coordinate bins are measured with an accuracy of  $\pm 0.01$ .
- CRI is measured with an accuracy of  $\pm 2$ .
- Some color and CRI bins may have limited availability, please contact us before ordering.
- All measurements were made under the standardized environment of Shineon

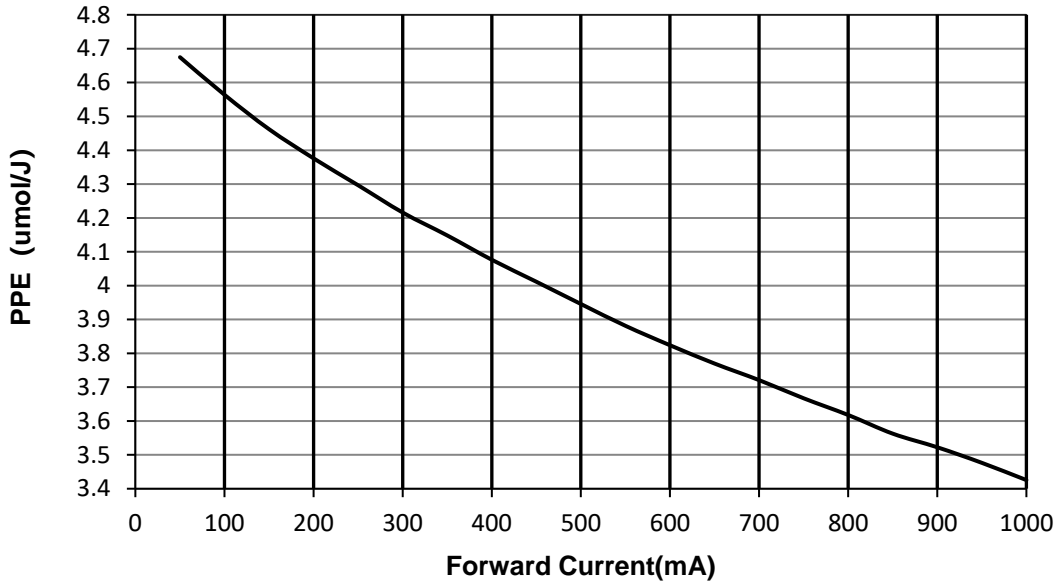
RELATIVE SPECTRAL POWER DISTRIBUTION ( $T_j=25^{\circ}\text{C}$ )



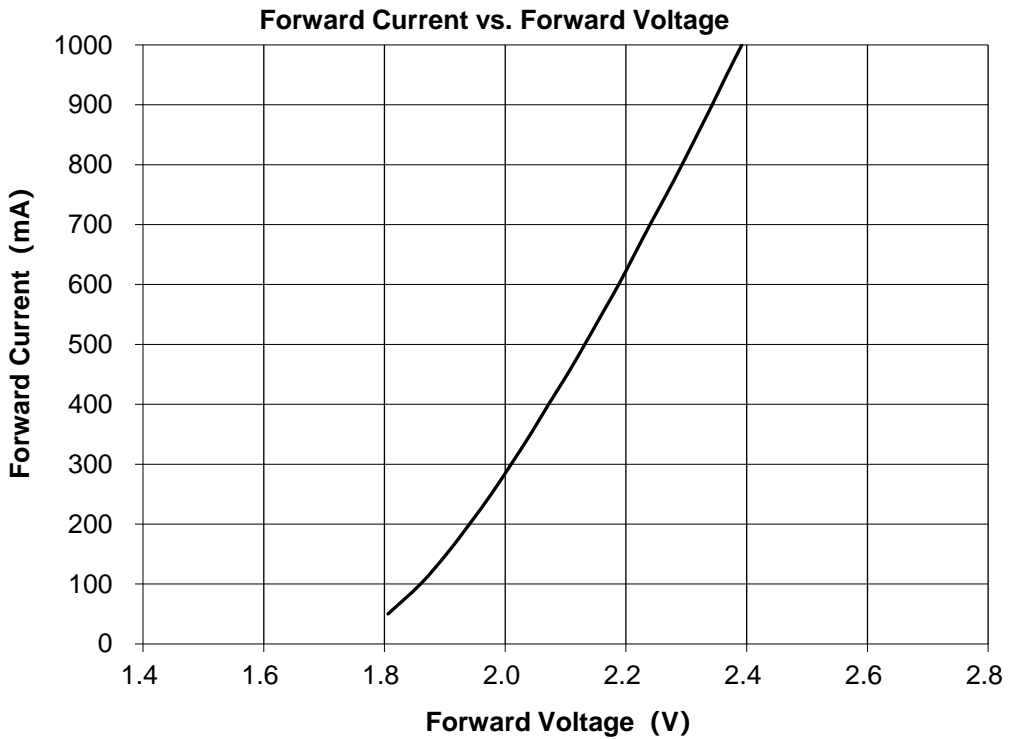
TYPICAL SPATIAL DISTRIBUTION



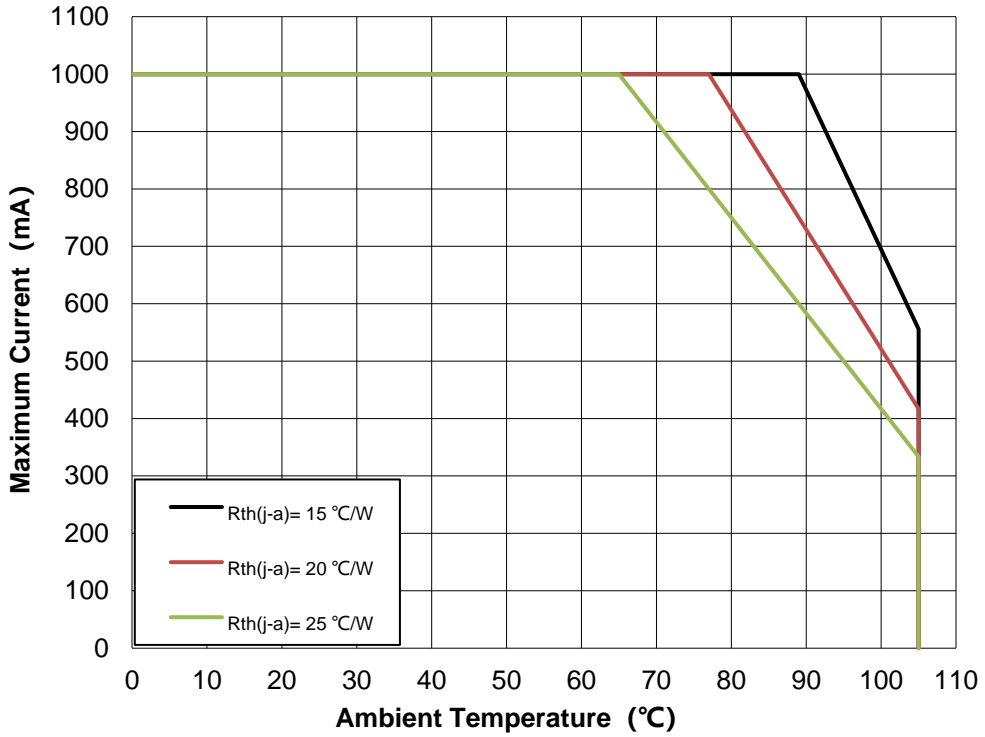
PPE VS. CURRENT ( $T_j=25^\circ\text{C}$ )



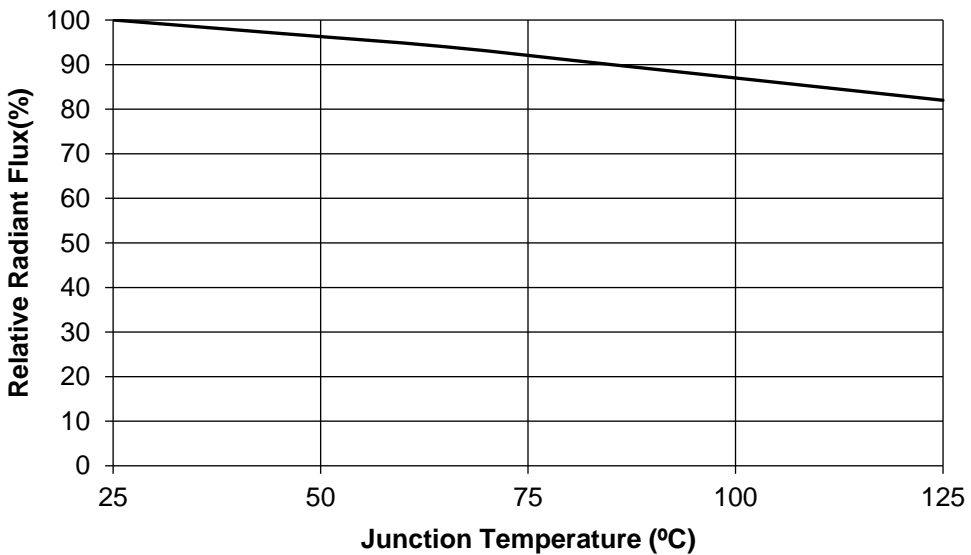
ELECTRICAL CHARACTERISTICS ( $T_j=25^\circ\text{C}$ )



MAXIMUM CURRENT VS. AMBIENT TEMPERATURE



RELATIVE RADIANT FLUX VS. JUNCTION TEMPERATURE



**SORTING RANKS**


---

**(1) Luminous Flux (Tj=25°C)**

Part Number	Condition	Rank			Unit
		WE	V0	V1	
MOH3535-PL-R660-D	700mA	900-1000	1000-1100	1100-1200	mW

**(2) Forward Voltage (Tj=25°C)**

Rank	Condition	Min.	Max.	Unit
AA	700mA	2.0	2.2	V
AB		2.2	2.4	
AC		2.4	2.6	

**Notes:**

1. 10% tolerance for luminous intensity may be caused by measurement inaccuracy.
2. Measurement Uncertainty of the Forward Voltage :  $\pm 0.1V$

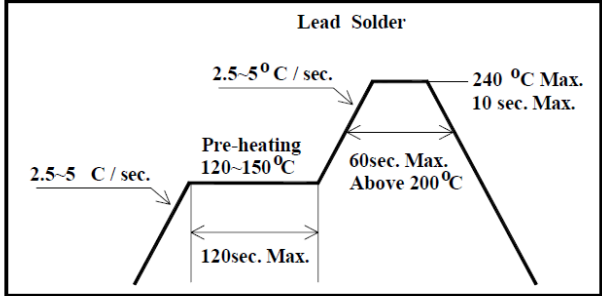
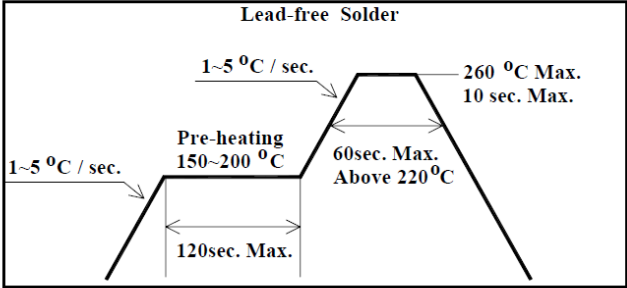
## REFLOW SOLDERING CHARACTERISTICS

### For Reflow Process:

Preheating : 140°C~160°C±5°C, within 2 minutes.  
 Operation heating : 260°C(Max.) within 10 seconds.(Max)  
 Gradual Cooling (Avoid quenching).

Lead solder		Lead-free solder	
Pre-heat	120-150°C	Pre-heat	150-200°C
Pre-heat time	120 sec.Max.	Pre-heat time	120 sec.Max.
Peak Temperature	240°C Max.	Peak Temperature	260°C Max.
Soldering time condition	10 sec.Max.	Soldering time condition	10 sec.Max.

 <p><b>Lead Solder</b></p> <p>2.5-5 °C / sec. → 240 °C Max. 10 sec. Max.</p> <p>Pre-heating 120~150 °C 60sec. Max. Above 200 °C</p> <p>2.5-5 C / sec. → 120sec. Max.</p>	 <p><b>Lead-free Solder</b></p> <p>1~5 °C / sec. → 260 °C Max. 10 sec. Max.</p> <p>Pre-heating 150~200 °C 60sec. Max. Above 220 °C</p> <p>1~5 °C / sec. → 120sec. Max.</p>
---	---

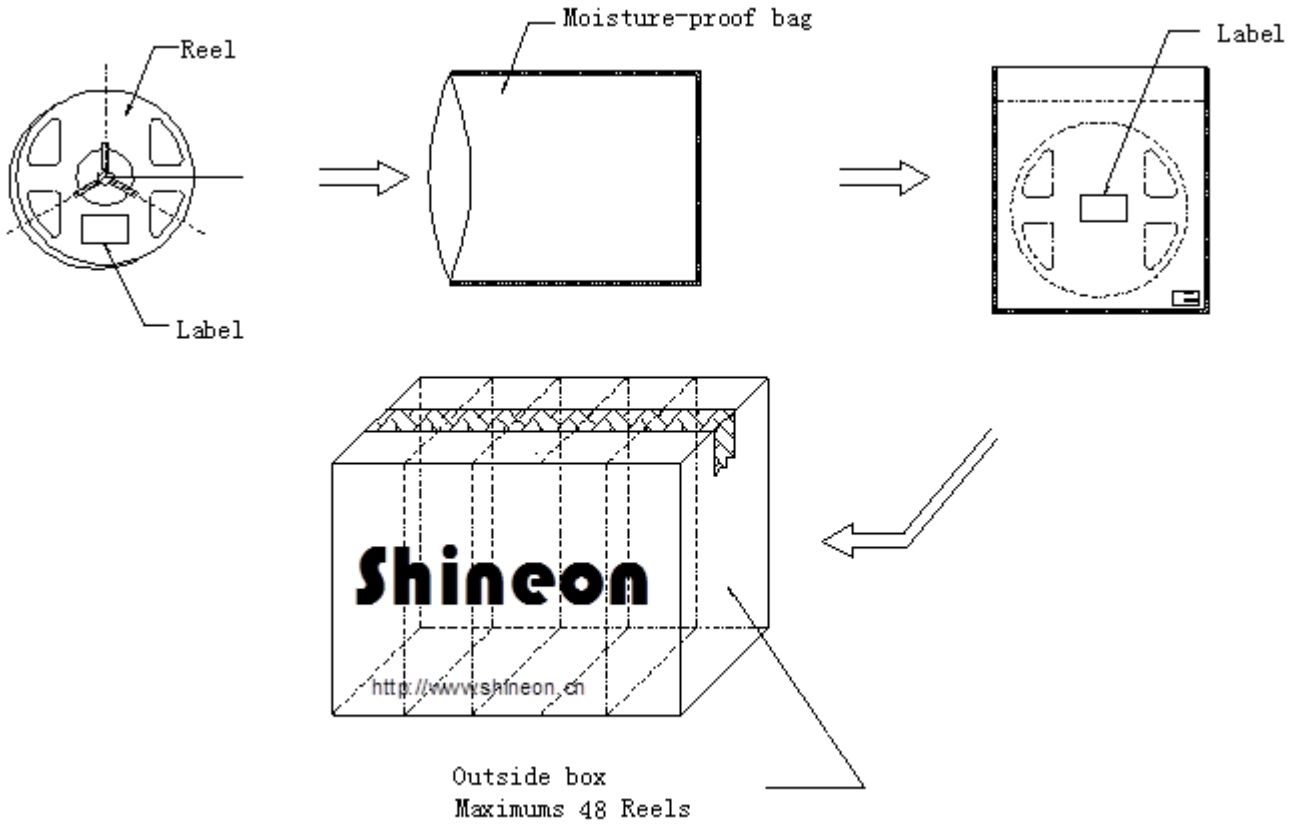
**Notes:**

The encapsulated material of the LEDs is silicone . Therefore the LEDs have a soft surface on the top of package. The pressure to the top surface will be influence to the reliability of the LEDs. Precautions should be taken to avoid the strong pressure on the encapsulated part. So when using the picking up nozzle, the pressure on the silicone resin should be proper.





**PACKAGING**



## PRECAUTION FOR USE

---

- (1) This device should not be used in any type of fluid such as water, oil, organic solvent, etc. When washing is required, IPA should be used.
- (2) When the LEDs are illuminating, operating current should be decided after considering the ambient maximum temperature.
- (3) LEDs must be stored to maintain a clean atmosphere. If the LEDs are stored for 3 months or more after being shipped from ShineOn, a sealed container with a nitrogen atmosphere should be used for storage.
- (4) The LEDs must be used within seven days after opening the moisture proof packing. Repack unused Products with anti-moisture packing, fold to close any opening and then store in a dry place.
- (5) The appearance and specifications of the product may be modified for improvement without notice.
- (6) This LED is sensitive to the static electricity and surge. It is recommended to use a wrist Band or anti-electrostatic glove when handling the LEDs.
- (7) On manual soldering, a solder tip must be needed as grounded for usage. If over voltage which exceeds the absolute maximum rating is applied to LEDs, it will cause damage LEDs and result in destruction. Damaged LEDs will show some unusual characteristics such as leak current remarkably increase ,turn-on voltage becomes lower and the LEDs get unlighted at low current.