

ORDER INFORMATION

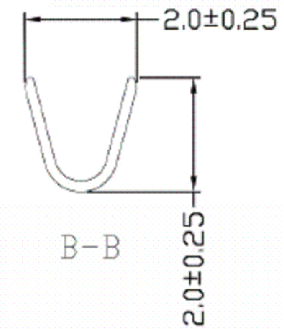
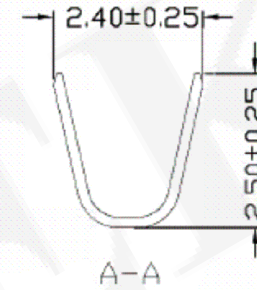
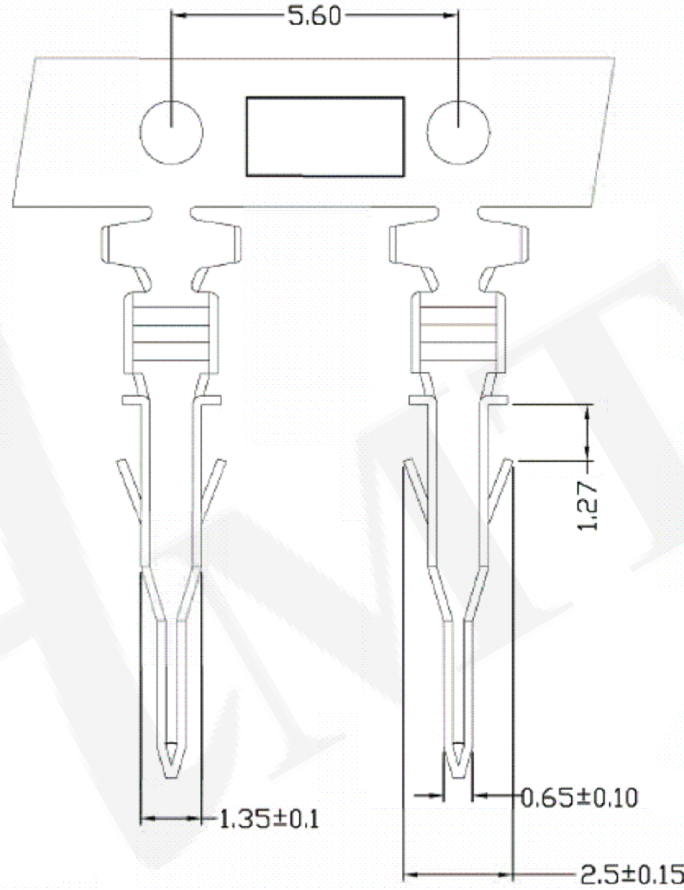
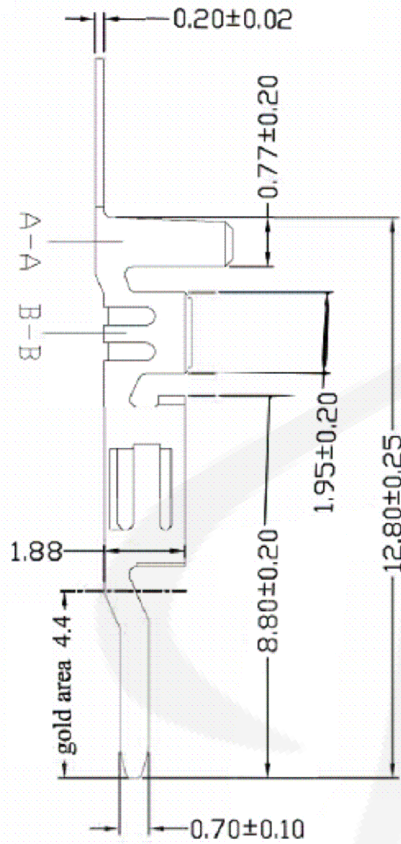
5 T 3 0 0 0 M - P X X R K 0 1

Pitch 3.0mm

P:Phosphor Bronze

G0:Gold Flash
T0:Tin Plated

R:Tape&Reel



Part No.	Insulation O.D.	Wire Range	Material	Qty/Reel
5T3000M-PTORK01	1.6mm(max)	AWG#20-#24	Phosphor Bronze	10,000 PCS

耀德精密有限公司
Amtek Technology Co., Ltd.
TEL: 886-2-2260-6878
FAX: 886-2-2260-8030

品名 TITLE	3.0mm TERMINAL			頁數 Page	1/1
品號 PART NO.	5T3000M-PXXRK01		繪圖 DRAWN	Alice 2022/01/25	
圖號 DRAWING NO.	GN137-AZ897	版本 REV.	A	核對 CHECKED	Josh 2022/01/25
客戶品號 CUSTOMER P/N		比例 SCALE	None	承認 APPROVED	Josh 2022/01/25
公差 TOLERANCE	.X ± 0.30	單位 UNIT	mm	THIRD ANGLE PROJECTION	
	.XX ± 0.20				

REV.	ECN NO. OR DESCRIPTION	REVISED	DATE