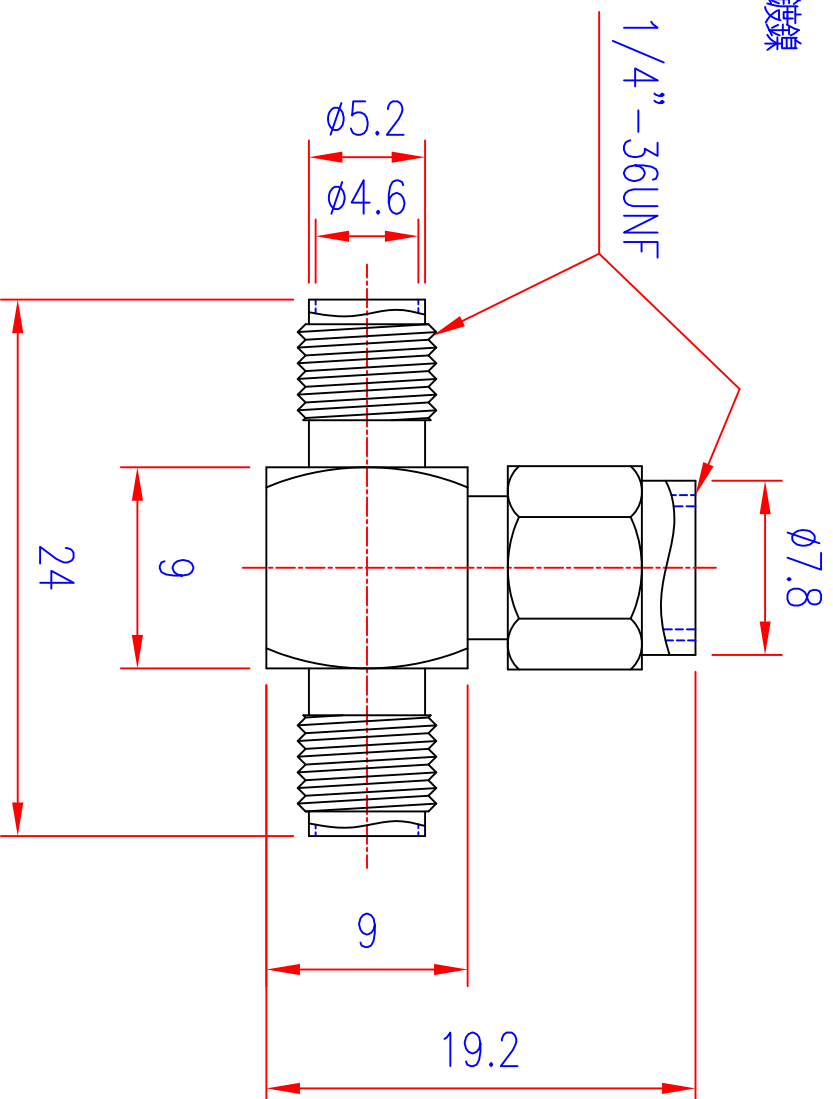


SPECIFICATION
 SMA CONNECTOR
 T-TYPE SMA MALE TO DOUBLE FEMALE
 NICKEL PLATED
 SMA 公 T 型 TO 2 X SMA 母, 鍍鎳



UNLESS OTHERWISE SPECIFIED
 GENERAL TOLERANCES
 0.5~6 = ± 0.2
 >6~30 = ± 0.4
 >30~120 = ± 0.6

NO.	DESCRIPTION	QTY	MATERIAL	SPECIFICATION	REMARK
DRAW BY	周國君	050508	1 : 3		TL4039-BTNG
DEGN BY					
APPD BY		UNIT	MM		SMA CONNECTOR

DATE	DRAWG BY	REVISED	同利企業有限公司	TELE LONG ENTERPRISE CO.,LTD	DRAWING NO.	TL4039-BTNG-TNS61-A