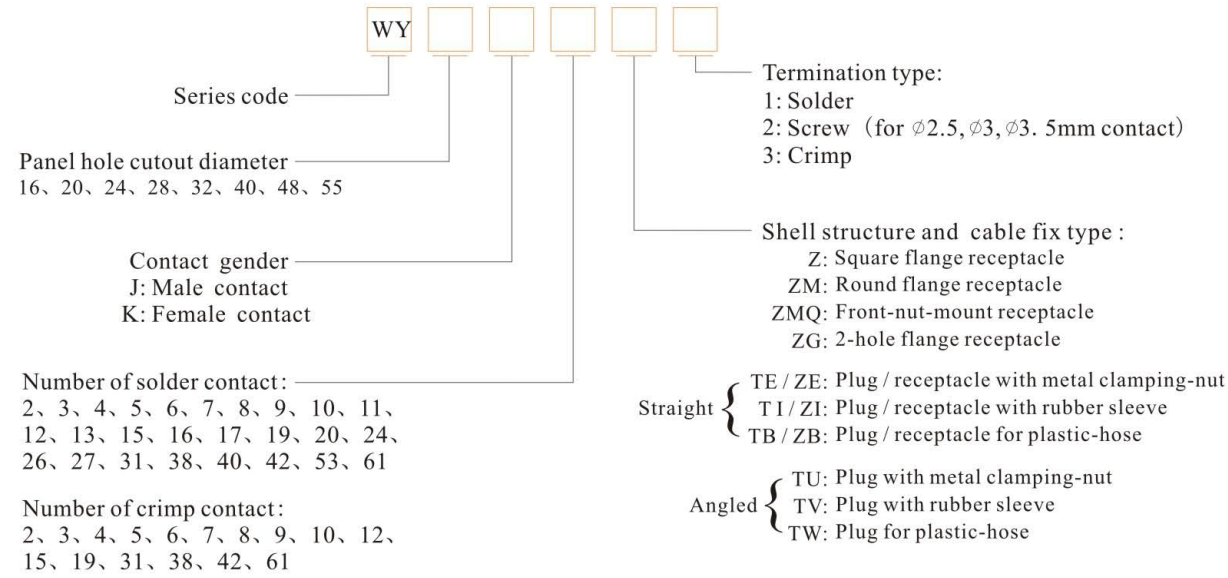




● **WY Series**

Part number system



● **Remarks:** The rated current decreases according to the number of contacts, more contacts, less rated current.

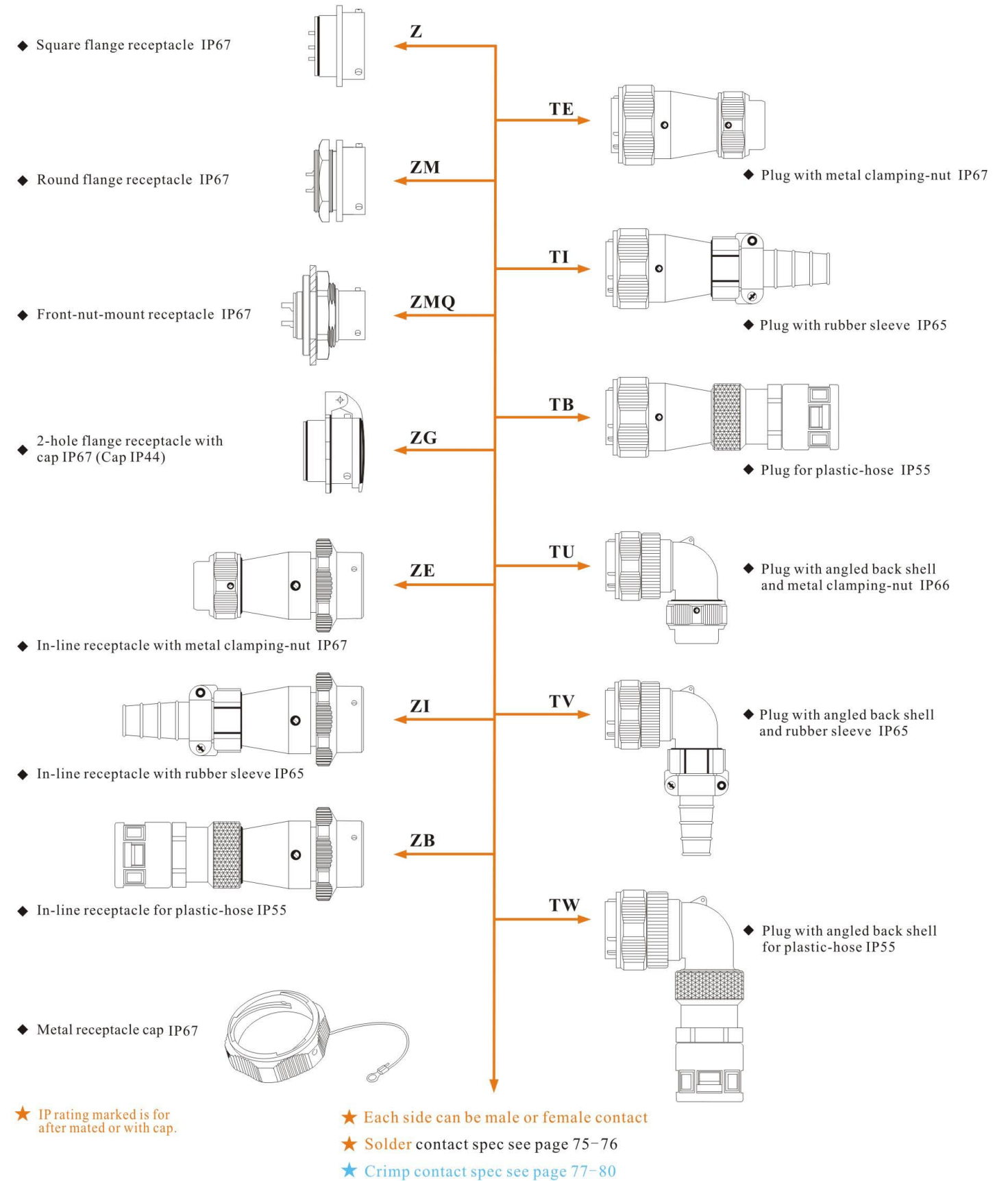
Number of contact	1-3	4-10	11-20	21-30	31-40	41-50	51-61
Rated current decrease rate (%)	0	10	20	30	40	50	60

Material and spec

Coupling	Threaded
Shell material	Zinc alloy with chrome plating
Insert material	PPS, max temperature 260 °C
Contact material	Brass with gold plating
Termination	Solder: $\phi 1, 1.5, 2.5, 3.5, 5.5$ mm contact Screw: $\phi 2.5, 3, 3.5$ mm contact Crimp: $\phi 1, 1.5, 2.5, 3.5$ mm contact
Mating cycle	500
Temperature range	-40°C~+85°C

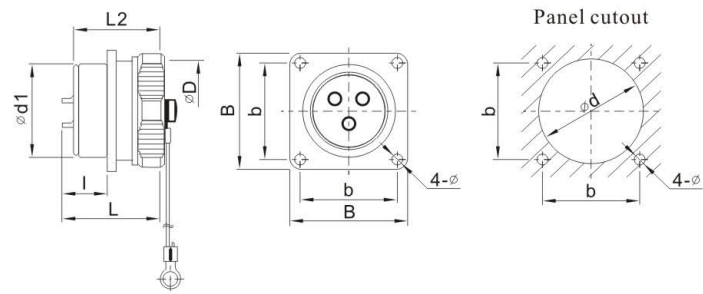
- ★ Each side can be male or female contact
- ★ Solder contact spec see page 75-76
- ★ Crimp contact spec see page 77-80

WY Series Mating diagram



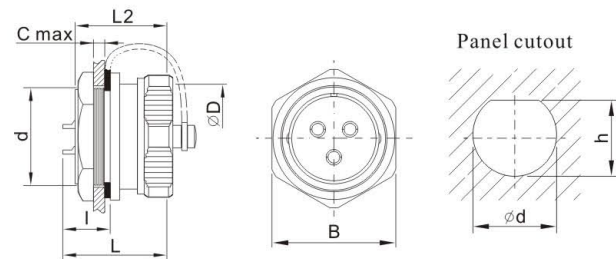


● Square flange receptacle: Z IP67



Dimension (mm)	WY16	WY20	WY24	WY28	WY32	WY40	WY48	WY55
∅d1	15.8	19.8	23.8	27.8	31.8	41.8	47.8	54.8
∅D	18	22	26	30	35	44	52	59
I	13	14	15	15	18.6	20.5	20.5	20.5
L	26	28	28	28	38.2	39.7	39.7	39.7
L2	21.6	23	23	23	34	34	34	34
b	20	22	26	30	32	40	48	52
B	26	29	32	36	42	50	58	64
∅d	16.5	20.5	24.5	28.5	32.5	40.5	48.5	55.5
∅	3.2	3.2	3.2	3.2	3.5	4.5	4.5	4.5

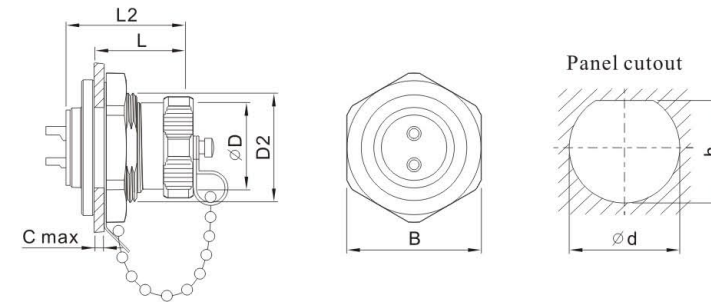
● Round flange receptacle: ZM IP67



Dimension (mm)	WY16	WY20	WY24	WY28
d	M16X1	M20X1	M24X1	M28X1
∅D	18	22	26	30
C	5	5	5	5
I	13	14	15	15
L	26	28	28	28
L2	22	23	23	23
B	21.2	25.5	29.2	33.3
∅d	15.7	19.7	23.7	27.7
h	15.3	19.3	23.1	26.9

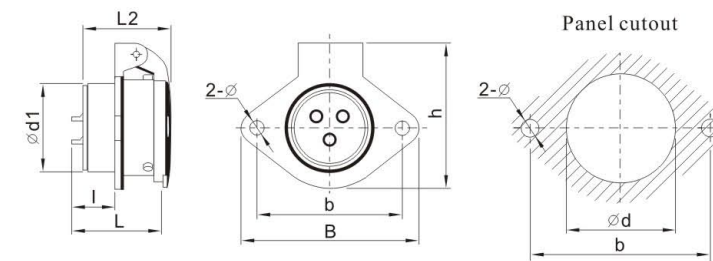


● Front-nut-mount receptacle: ZMQ IP67



Dimension (mm)	WF16	WF20	WF24	WF28
∅D	18	22	26	30
D2	M22X1	M26X1	M30X1	M34X1
L	16	17	17	17
L2	21.6	23	23	23
C	5	5	5	5
B	26.8	30.8	34.8	38.8
∅d	22	26	30	34
h	20.4	24.4	28.4	32.4

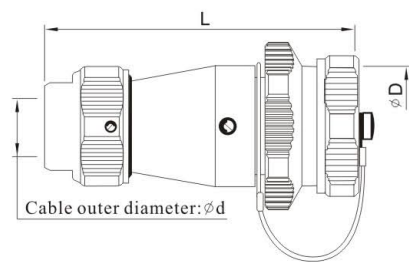
● 2-hole flange receptacle with cap: ZG IP67(Cap IP44)



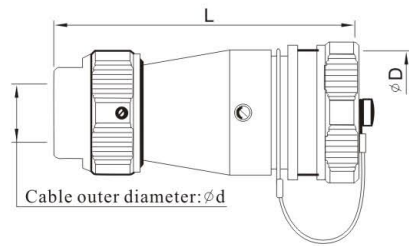
Dimension (mm)	WY16	WY20	WY24	WY28	WY32	WY40	WY48	WY55
∅d1	15.8	19.8	23.8	27.8	31.8	39.8	47.8	54.8
L	30	32.3	32.3	32.3	42.2	42.2	42.2	43.2
L2	22	23	23	23	34	34	34	34
I	13	14	15	15	18.1	20.5	20.5	20.5
b	30	35	40	45	55	65	80	85
B	38	44	50	55	67	77	92	98
∅d	16.5	20.5	24.5	28.5	32.5	40.5	48.5	55.5
h	32.5	36.5	40.5	45.5	52.5	63.5	74.5	80
∅	3.5	4.5	4.5	4.5	5.5	5.5	5.5	6.5



● In-line receptacle with metal clamping-nut: ZE IP67

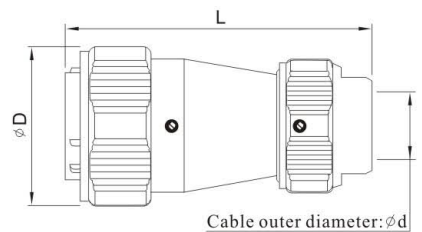


Dimension (mm)	WY16	WY20	WY24	WY28
D	18	22	26	30
L	55	63	66.5	70
φd	5-6.5	9-10.5	9-10.5	10.5-12.5



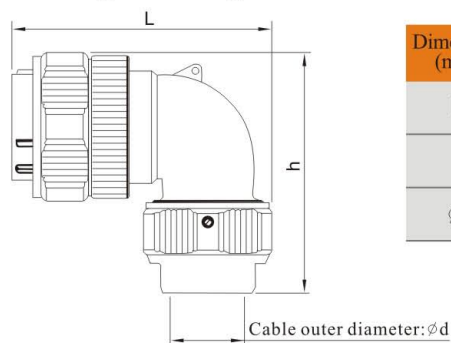
Dimension (mm)	WY32	WY40	WY48	WY55
D	35	44	52	59
L	90.4	103.6	108	131.6
φd	15.5-17	18-20	I:18-20 II:24.5-26	24.5-26

● Plug with metal clamping-nut: TE IP67



Dimension (mm)	WY16	WY20	WY24	WY28	WY32	WY40	WY48	WY55
D	25	30	34	38.5	44.5	54	62	68.5
L	52.6	61.3	67.3	67.4	88	102.9	107.7	131.1
φd	5-6.5	9-10.5	9-10.5	10.5-12.5	15.5-17	18-20	I:18-20 II:24.5-26	24.5-26

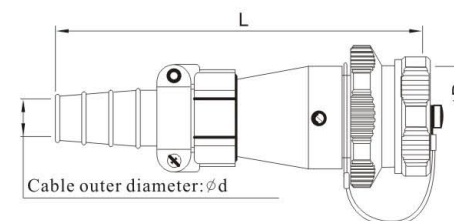
● Plug with angled back shell and metal clamping-nut: TU IP66



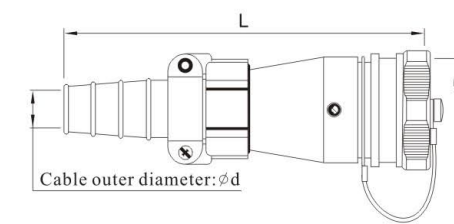
Dimension (mm)	WY16	WY20	WY24	WY28	WY32	WY40	WY48	WY55
h	43.2	53	54	56.7	74.6	80	98	105.2
L	47.5	57.5	58.3	62	82.5	91.5	98.5	109.2
φd	5-6.5	9-10.5	9-10.5	10.5-12.5	15.5-17	18-20	24.5-26	24.5-26



● In-line receptacle with rubber sleeve: ZI IP65

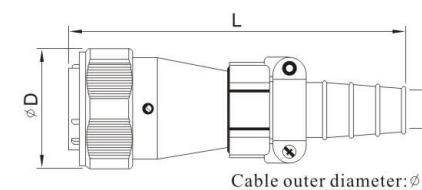


Dimension (mm)	WY16	WY20	WY24	WY28
D	18	22	26	30
L	73	85.7	92	101
φd	7-8	9-10.5	9-10.5	11.5-13.6



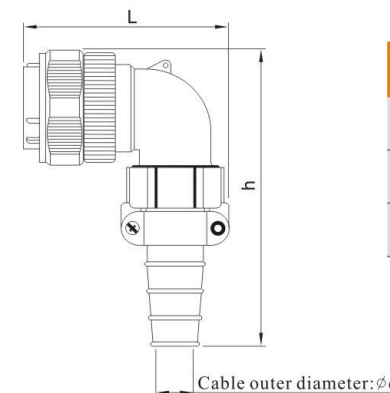
Dimension (mm)	WY32	WY40	WY48	WY55
D	35	44	52	59
L	118.6	130.2	137	210.5
φd	13-15.6	15.5-18.8	I:15.5-18.8 II:24-28	24-28

● Plug with rubber sleeve: TI IP65



Dimension (mm)	WY16	WY20	WY24	WY28	WY32	WY40	WY48	WY55
D	25	30	34	38.5	44.5	54	62	68.5
L	72.3	86.9	92.5	100.6	118.3	130.4	137.2	161.1
φd	7-8	9-10.5	9-10.5	11.5-13.6	13-15.6	15.5-18.8	I:15.5-18.8 II:24-28	24-28

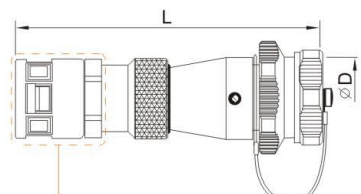
● Plug with angled back shell and rubber sleeve: TV IP65



Dimension (mm)	WY16	WY20	WY24	WY28	WY32	WY40	WY48	WY55
h	60	80	80	93	107	118	127	140
L	45.5	53	56.3	70	80.5	89.5	98	107.2
φd	7-8	9-10.5	9-10.5	11.5-13.6	13-15.6	15.5-18.8	24-28	24-28

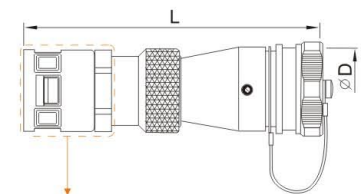


● In-line receptacle for plastic-hose: ZB IP55



Optional plastic hose adapter

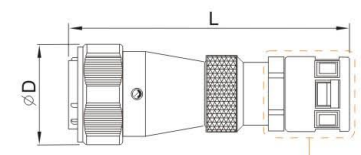
Dimension (mm)	WY16	WY20	WY24	WY28
D	18	22	26	30
L	80	93	96	107
Adapter size	PG7	PG11	PG11	PG16
Hose size	1/4"	3/8"	3/8"	1/2"



Optional plastic hose adapter

Dimension (mm)	WY32	WY40	WY48	WY55
D	35	44	52	59
L	122.9	133.4	138.8	155
Adapter size	PG21	PG29	I: PG29 II: PG36	PG36
Hose size	3/4"	1"	I: 1" II: 1 1/4"	1 1/4"

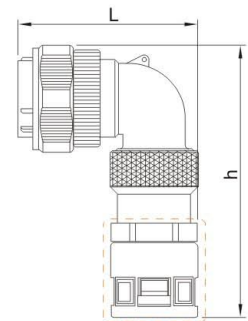
● Plug for plastic-hose: TB IP55



Optional plastic hose adapter

Dimension (mm)	WY16	WY20	WY24	WY28	WY32	WY40	WY48	WY55
D	25	30	34	38.5	44.5	54	62	68.5
L	76.7	90.1	94.6	101.7	119.5	133.4	140	157
Adapter size	PG7	PG11	PG11	PG16	PG21	PG29	I: PG29 II: PG36	PG36
Hose size	1/4"	3/8"	3/8"	1/2"	3/4"	1"	I: 1" II: 1 1/4"	1 1/4"

● Plug with angled back shell for plastic-hose: TW IP55



Optional plastic hose adapter

Dimension (mm)	WY16	WY20	WY24	WY28	WY32	WY40	WY48	WY55
h	58	78	78	91	105	120	125	132
L	46.5	54	57.3	71	81.5	90.5	98	108
Adapter size	PG7	PG11	PG11	PG16	PG21	PG29	PG29	PG36
Hose size	1/4"	3/8"	3/8"	1/2"	3/4"	1"	1 1/4"	1 1/4"

