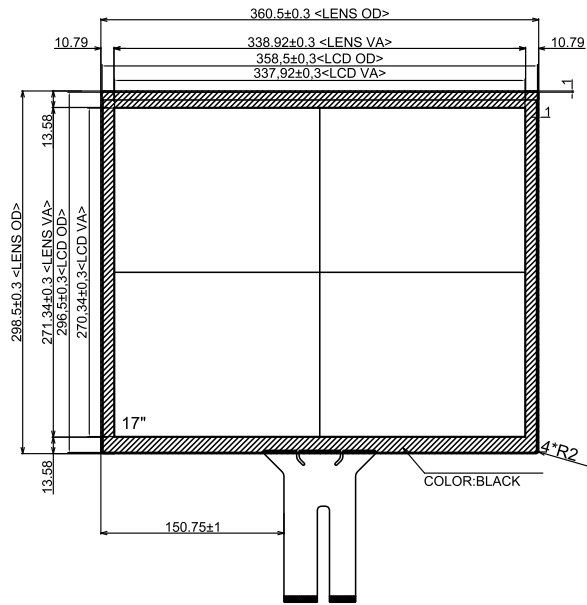
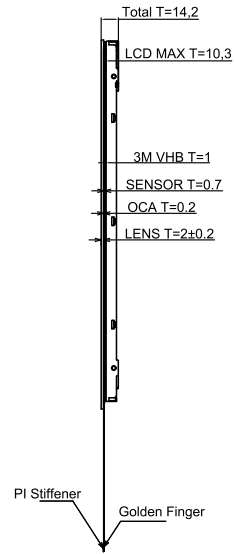


| Ver. | modify NO. | Details | Area | P.I.C | Date |
|------|------------|---------|------|-------|------|
| | | | | | |
| | | | | | |
| | | | | | |

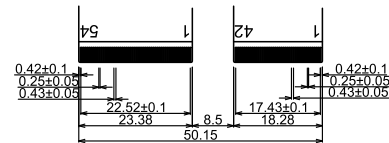
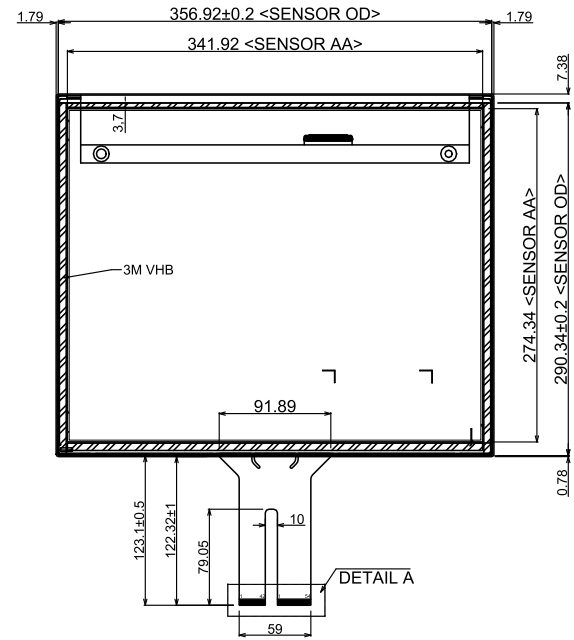
TOP VIEW



SIDE VIEW



BOTTOM VIEW



Channels: RX*TX=50*40

DETAIL A
SC 4:1

USB PIN ASSIGNMENT

| | |
|---|------|
| 1 | VBUS |
| 2 | DN |
| 3 | DP |
| 4 | GND |

Technical Datasheet:

1. Cover Glass: Tempered glass
2. Structure: TP+LCM Frame Bonding
3. LCD:DV170E0M-N10-BL1K
3. TP Controller IC: EETI80H83
4. Surface Hardness: ≥6H
5. Light Transmittance: ≥85%
6. Unmarked Tolerance: ±0.5mm
7. All materials used conform to RoHS standards

| | | | | |
|--|-----------|---------------------|------------------|-------|
| Part No. | | BTP-TMS-17-DV-R01 | | |
| Product Name: 17 inch Touch Display (TP+LCM Frame Bonding) | | Drawing No. | MS170211008R01 | |
| | | Project Code. | MS170R01 | |
| Business Unit: SNT-BTP | | Period Mark | View Angle | Ratio |
| | | A | | 1:1 |
| Workmanship: | Tina.Xin | BOM Code | 2.22.170.23.0101 | |
| Standardization: | Link.Chen | Product Series | BTP-TPA | |
| Released by: | Rocky.Liu | Page 1 Total 1 Page | | |
| 思诺泰科电子(苏州)有限公司 SINOTELECTRONICS INC. | | | | |