

## BTP-MCW Product Series

### Technical Datasheet

Product Name: Touch Foil, 12.1 inch

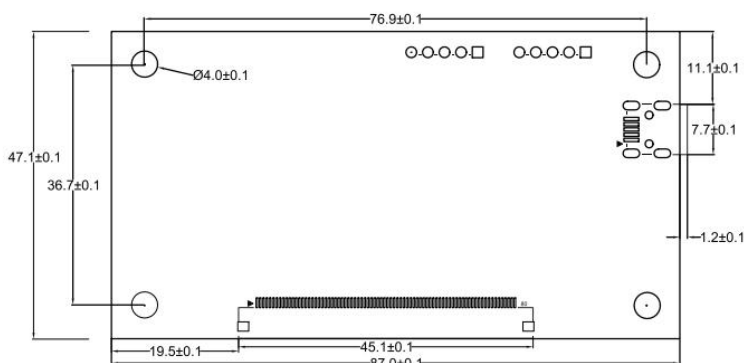
- Technical Specifications:

Part No.:	BTP-MCW-TFB-12.1-STM-R01
BOM Code:	1.11.121.02.0101
Project Code:	M121R01
Structure:	Film+Micro Copper Wire+Film
Copper Wire Diameter:	15 microns
Base Material:	PET Film
Controller IC:	STM Series
Driver Type:	Driver-free, plug-n-play
Communication Interface:	USB2.0/3.0
Working Voltage:	5V
Standard USB Cable Length:	1,500mm
Thru-Glass Capability:	Max. 12mm
Screen Ratio:	16:10
Foil Size:	281.45*185.83mm
Active Area:	260.98*163.02mm
Controller Size:	87.0*47.0mm
FPC direction:	Long side
Light Transmittance	≥89%
Lamination Method:	Wet Lamination (OCA)
Lamination Substrate:	Glass/Acrylic/PMMA or other non-metallic material
Inductive method	Improved projected capacitive technology
Touch accuracy	±1mm
Touch Points	1~12 points (adjustable)
Calibration method	Automatic
Response time	<10ms
Frame scan frequency	120FPS
Lifetime	9 Years

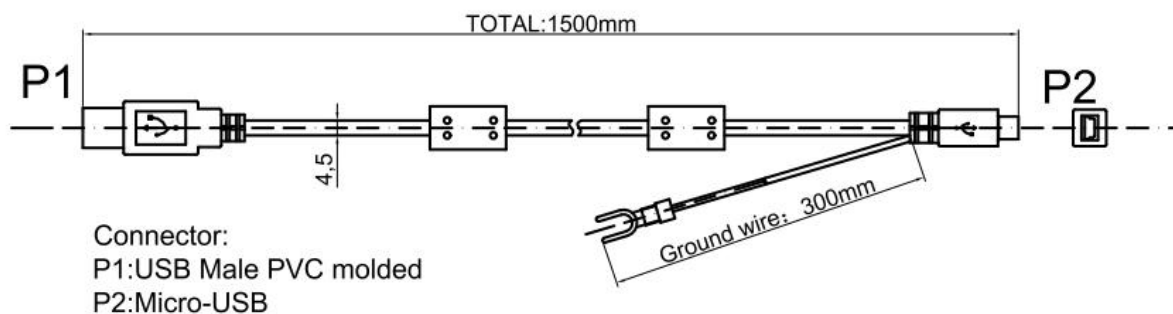
Temperature Range	-15°C to + 75°C
Working Environment	0~ 95%RH (Unaffected by condensation)
OS compatibility	Windows XP ,Windows 7,Windows 8 Windows10(32 / 64 )
	MAC OS X Lion
	Linux (Kernel version above 3.8)
	Above Android 4.0 (Kernel version above 3.1)
EMC	EN 61000-6-1:2007, EN 61000-6-3:2007+A1:2011
Power Consumption	<0.5W

\*This device complies with Part 15 of the FCC Rules Operation is subject to the following two conditions:(1)this device may not cause harmful interference, and (2)this device must accept any interference received, including interference that may cause undesired operation.

- Controller:  
STM



- USB Cable:



**Remarks:**

All datasheets are drafted by SINOTELECTRONICS BTP product team, in case of any technical support needed, please feel free to contact our service team or sales in charge, or you can directly email US:

[service@sinotronics.com](mailto:service@sinotronics.com)

[info@sinotronics.com](mailto:info@sinotronics.com)

[www.sinotronics.com](http://www.sinotronics.com)

