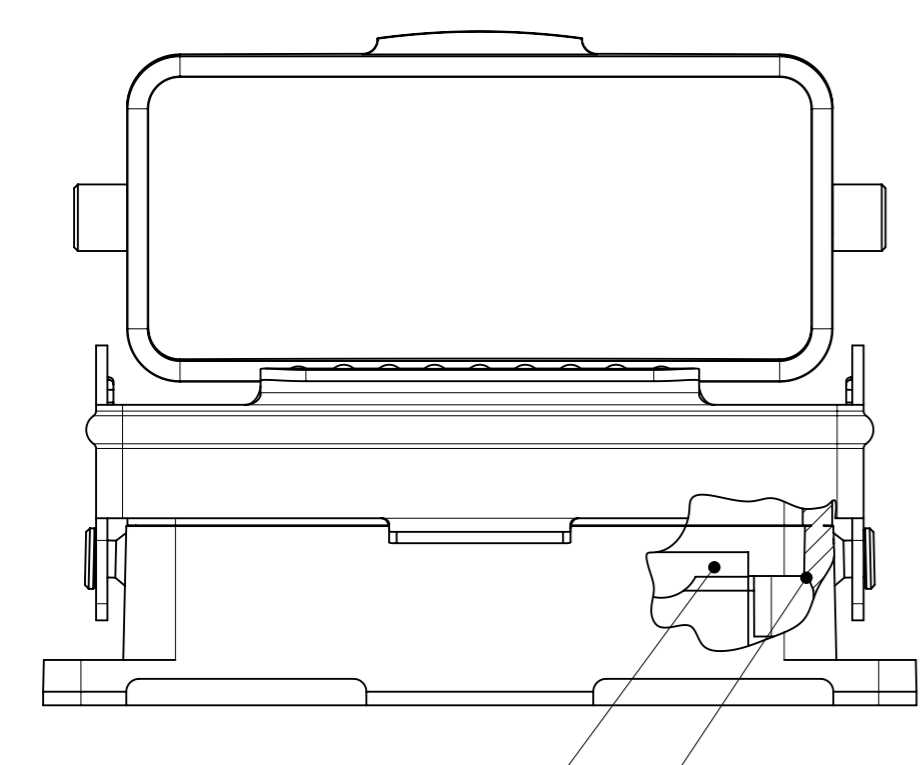
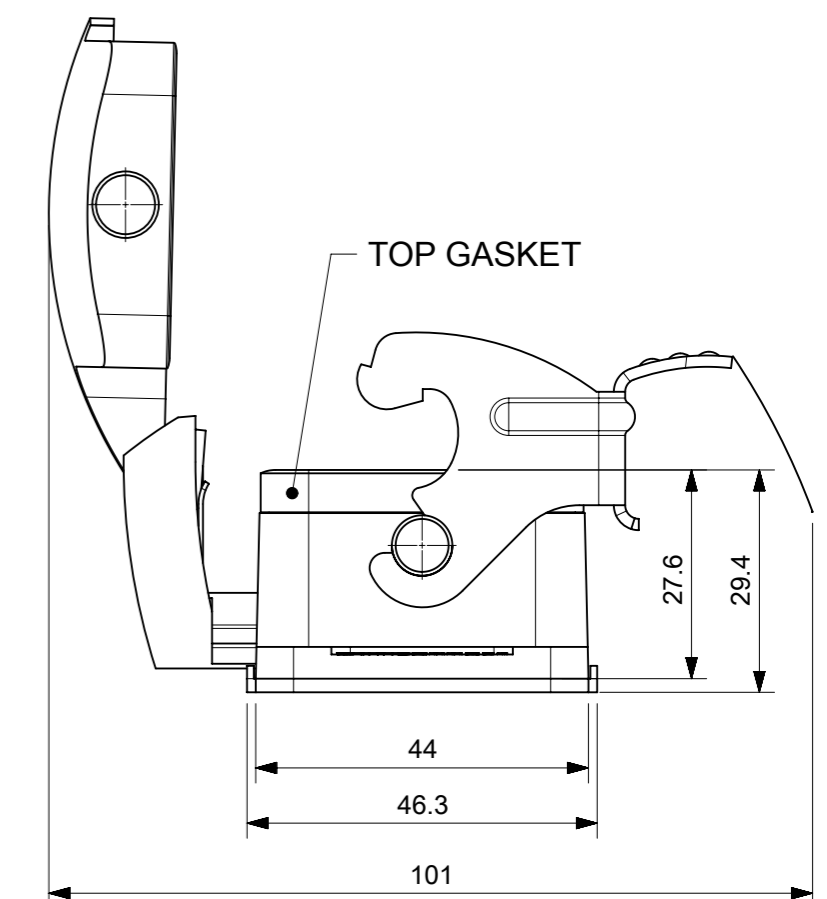
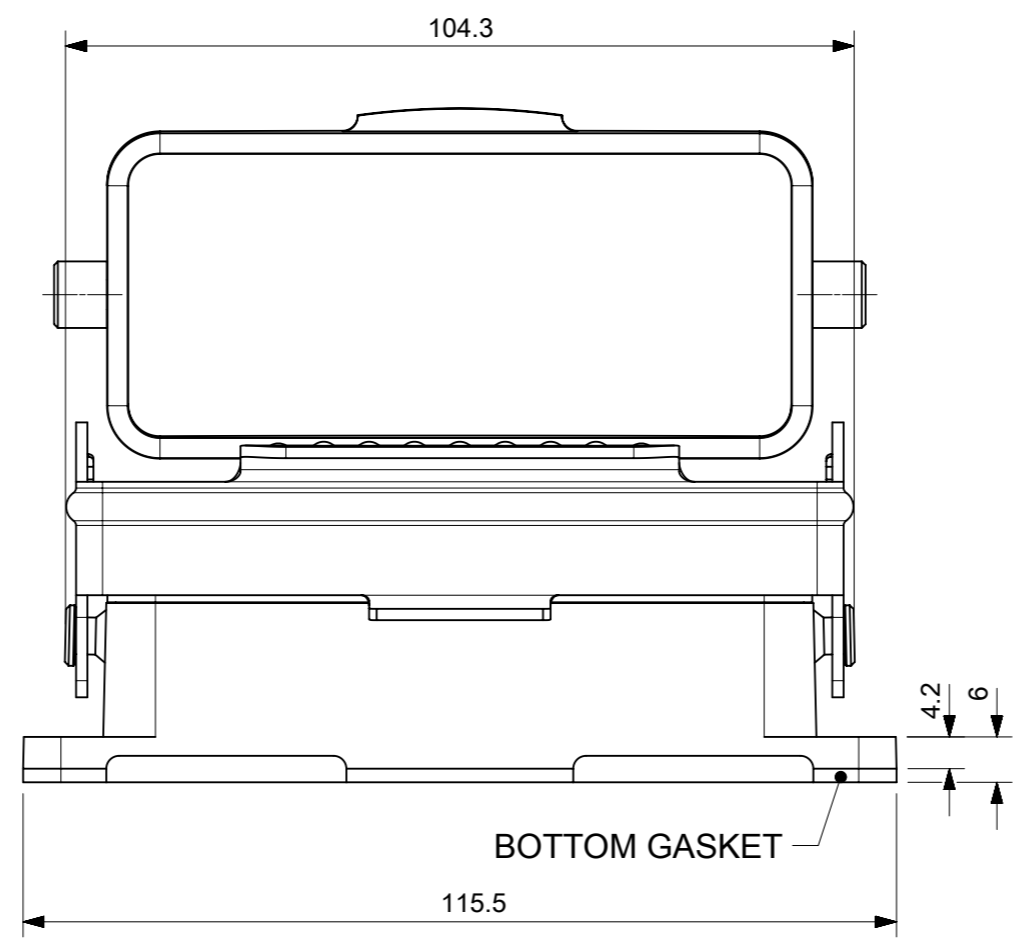


**STANDARD HIGH VOLTAGE VERSION**

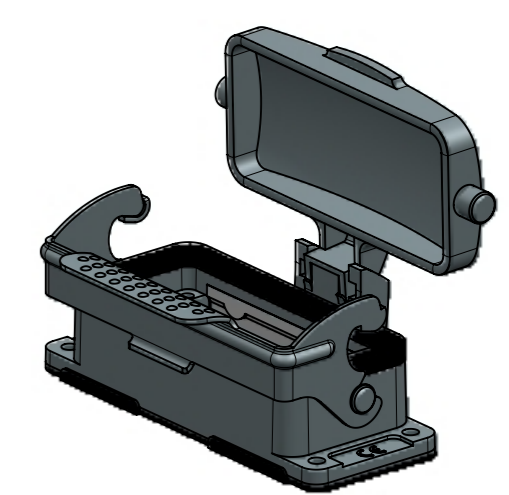
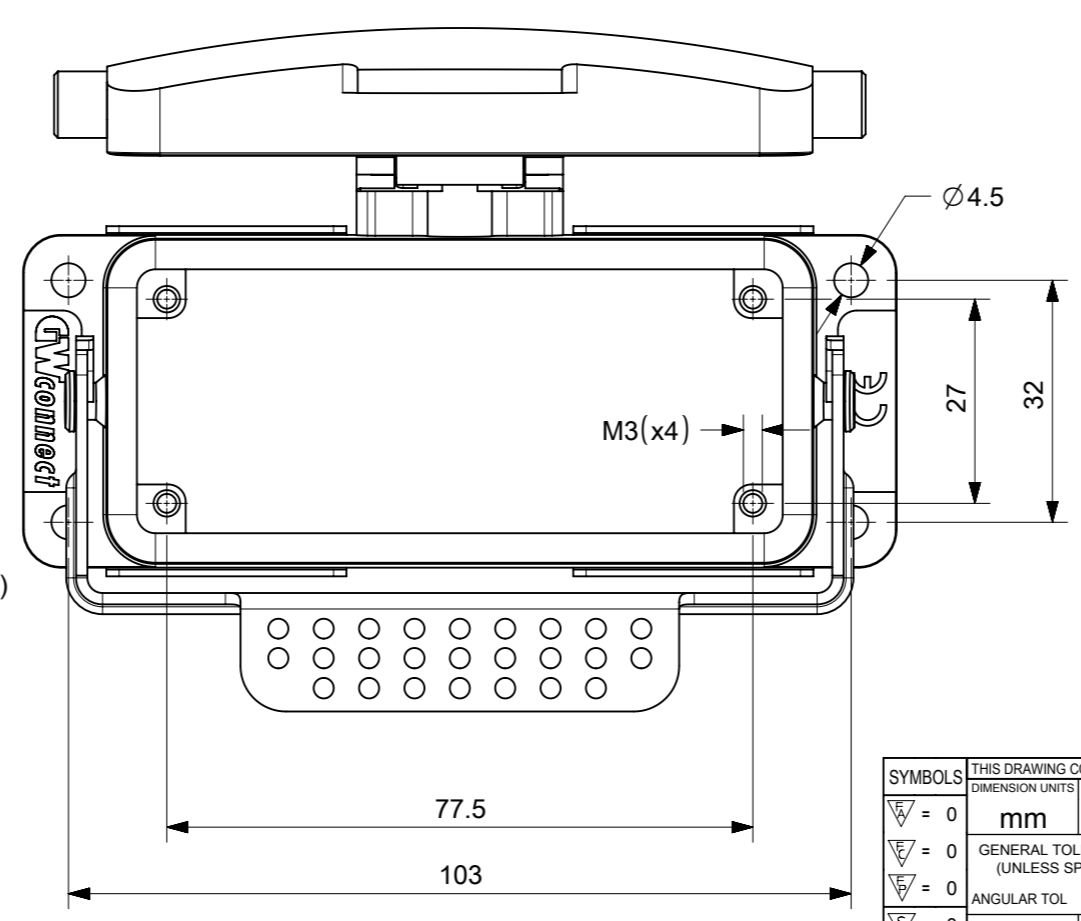
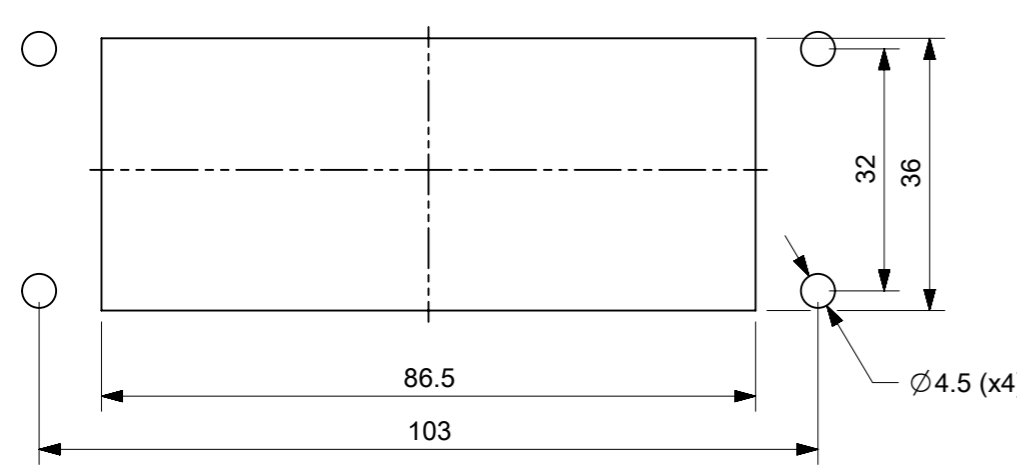
**STANDARD VERSION**



INSULATING ADHESIVE TAPE ON BOTH SIDES  
SUITABLE FOR HIGH VOLTAGE INSERTS



**PANEL CUT OUT**



SCALE 1:2

SAP.No.	Eng.No.	TYPE
936012574	7816.6406.0	STANDARD
936012576	7816.6406.2	STANDARD HIGH VOLTAGE

SYMBOLS		THIS DRAWING CONTAINS INFORMATION THAT IS PROPRIETARY TO MOLEX ELECTRONIC TECHNOLOGIES, LLC AND SHOULD NOT BE USED WITHOUT WRITTEN PERMISSION	
▽ = 0	mm	SCALE	1:1
▽ = 0	GENERAL TOLERANCES (UNLESS SPECIFIED)		
▽ = 0	ANGULAR TOL	±	°
▽ = 0	4 PLACES	±	
▽ = 0	3 PLACES	±	
▽ = 0	2 PLACES	±	
▽ = 0	1 PLACE	±	
▽ = 0	0 PLACES	±	
■ = 0	DRAFT WHERE APPLICABLE MUST REMAIN WITHIN DIMENSIONS		
▽ = 0	FIRST ANGLE PROJECTION	DRAWING	A3-SIZE
CURRENT REV DESC:		SERIES	93601
EC NO: 601033		MATERIAL NUMBER	SEE TABLE
DRWN: AKHEMIRI 2018/07/03		CUSTOMER	GENERAL MARKET
CHK'D: DMERONI 2018/07/03		DOCUMENT NUMBER	936012576
APPR: AMELZI 2018/09/12		DOC TYPE	PSD
INITIAL REVISION:		DOC PART	000
DRWN: AKHEMIRI 2018/06/28		REVISION	A
APPR: AMELZI 2018/09/12		SHEET NUMBER	
1 OF 1		1 OF 1	