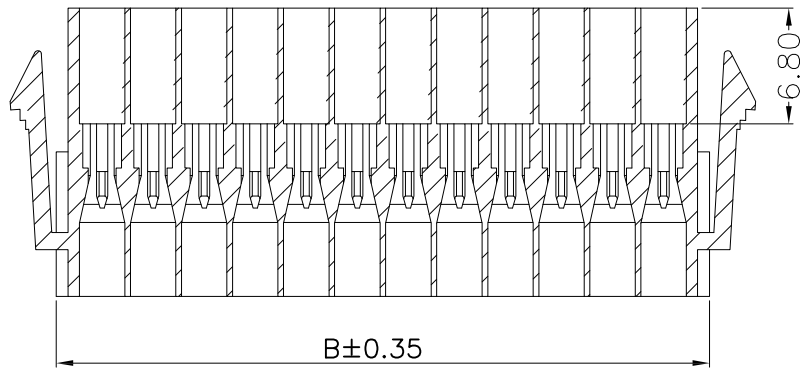
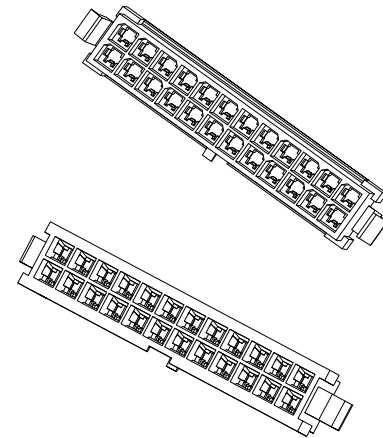


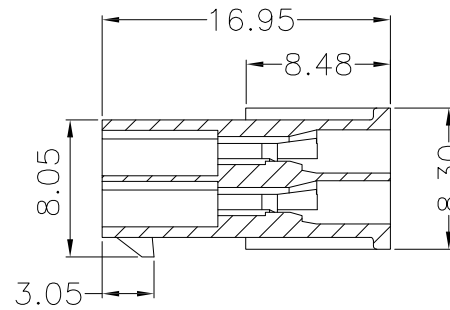
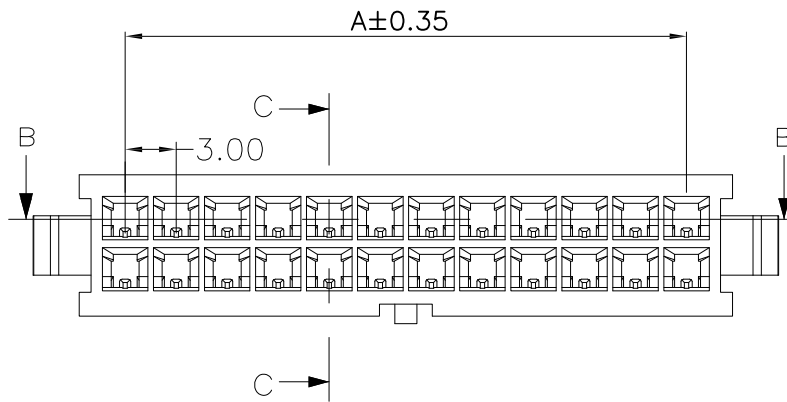
REV.	LOCAS.	DESCRIPTION	DATE	DRAWN
A	NEW	INTERIM INITIAL RELEASE.	2022.06.07	钟建虾

Specifications:

Current rating(额定电流):5A AC/DC.
Voltage rating(额定电压):250V AC/DC
Temperature range(工作温度):-40°C~+105°C.
Contact resistance 触电阻):10mΩ Max.
Insulation resistance(绝缘电阻):1000MΩ Min.
Withstanding voltage(耐压值): 1500V AC/minute.
Material(材质) :PA66.UL94V-2.



SECTION B-B



SECTION C-C

No of Pin/Row	Dimensions	
	A	B
01		5.40
02	3.00	8.40
03	6.00	11.40
04	9.00	14.40
05	12.00	17.40
06	15.00	20.40
07	18.00	23.40
08	21.00	26.40
09	24.00	29.40
10	27.00	32.40
11	30.00	35.40
12	33.00	38.40

GHZ112 - XX

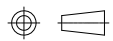
A

X

No. of Pin/Row
01 ~12

Material/Color
M=NYLON 66/White
NF=Nylon66/Transparent

Greenconn
Website:www.greenconn.com
E-mail:sales@greenconn.com

3RD.ANG PROJ.

PAGE. 1/1

GENERAL TOLERANCE	
X.* ±/	X.± /
.X* ±/	.X± 0.30
.XX* ±/	.XX± 0.25
.XXX* ±/	.XXX± 0.15

DESIGNED: 钟建虾
CHECKED:
APPROVED:

DATE: 2022.06.07
DATE:
DATE:

DWG. NO. GHZ112-HA
PART NO. GHZ112-XXAX

TITLE.
3.0mm pitch 连接器 Housing