

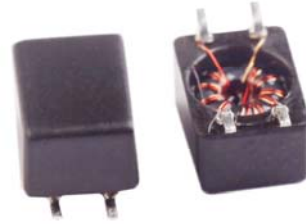
SCM01 Series Common Mode Chokes

Features

- High rated currents, reduced components height
- Ideally used in xDSL, Modem and telecom applications
- Suitable for reflow soldering

Applications

- Data and signal line chokes
- Digital communication equipment
- Industrial electronics, etc.



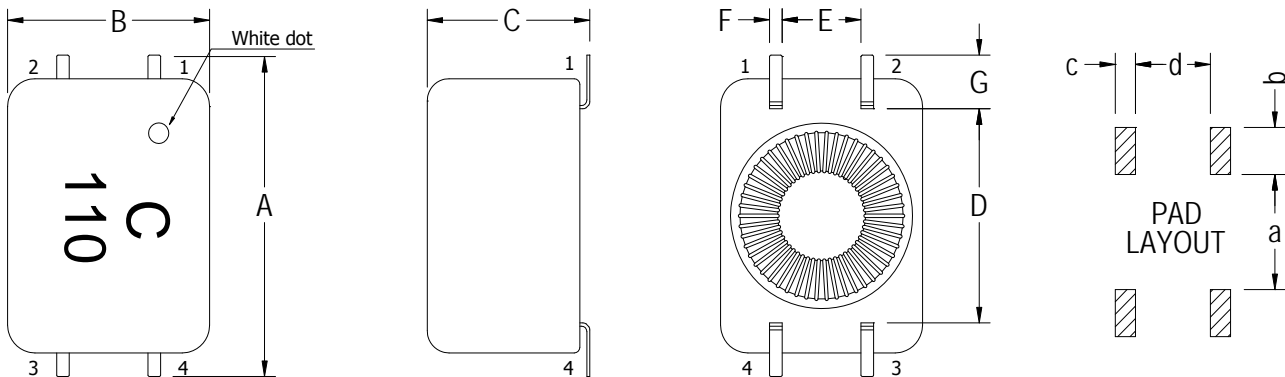
Environmental Data

- Storage temperature range: -40°C to +85°C
- Operating temperature range: -40°C to +105°C (including coil's self-temperature rise)
- Solder reflow temperature: +260°C Max for 10 seconds Max
- Moisture sensitivity level: 1
- RoHS&HF compliance

Packaging

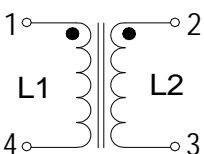
- Supplied in tape and reel packaging, 1500pcs, per 13-inch reel

Mechanical Dimension (Unit: mm/inches)



Type	A	B	C	D	E	F	G	a	b	c	d
	Max.	Max.	Max.	Nom.	Nom.	Nom.	Nom.	Nom.	Nom.	Nom.	Nom.
SCM01-1005	9.5	5.65	4.9	5.5	2.04	0.5	1.7	4.4	2.9	1.2	1.34
	0.375	0.223	0.193	0.217	0.081	0.02	0.067	0.174	0.115	0.048	0.053

Electrical Schematic



Part Number Description

SCM01 - 1005 110 N
 ① ② ③ ④

- ① Type
- ② Dimensions
- ③ Inductance value
- ④ Tolerance code

SCM01 Series Common Mode Chokes

Electrical Characteristic

Part Number	Inductance (μ H)	Tolerance (\pm %)	Leakage (nH)Typ.	DCR ($m\Omega$)Max.	Rated current (mA)Max.	Hi-Pot(V) DC/2s/0.5mA
SCM01-1005110N	11	30	50	120	700	250
SCM01-1005250N	25	30	60	130	700	250
SCM01-1005510N	51	30	70	160	600	250
SCM01-1005101N	100	30	100	230	500	250
SCM01-1005471N	470	30	100	200	500	750
SCM01-1005102N	1000	+50/-30	70	280	500	750
SCM01-1005222N	2200	+50/-30	120	480	400	750
SCM01-1005472N	4700	+50/-30	200	700	200	750

- Test frequency and voltage:100KHz,0.1Vrms.
- All test data referenced to 25°C ambient.
- Rated current:DC current when temperature of coil increased up to 40°C.