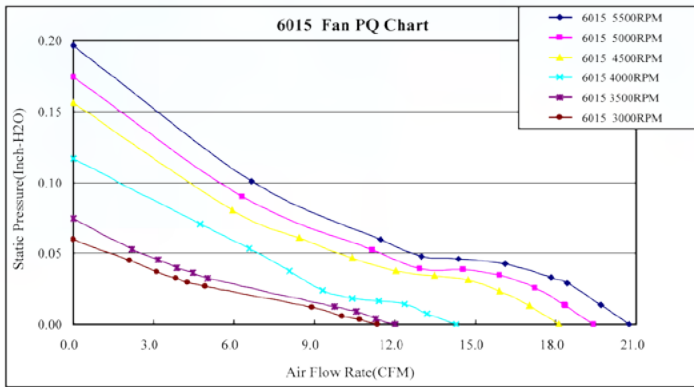


EVERCOOL

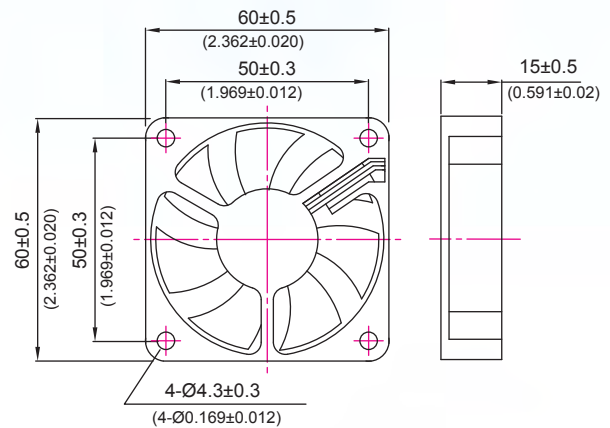
6015 series 60x60x15 mm



P&Q Curve



Dimensions Drawing



UNIT:MM/(INCH)

Specifications

Model	Rated Voltage (VDC)	Rated Current (AMP)	Power Consumption (WATTS)	Speed Reference (RPM)	Air Flow (CFM)	Static Pressure (Inch-H ₂ O)	Noise (dBA)
EC6015TH12X	12	0.21	2.52	5500	20.73	0.2	<39
EC6015HH12X	12	0.15	1.8	5000	19.42	0.18	<37
EC6015H12X	12	0.11	1.32	4500	18.12	0.16	<32
EC6015M12X	12	0.08	0.96	4000	14.28	0.12	<29
EC6015L12X	12	0.07	0.84	3500	12	0.07	<27
EC6015LL12X	12	0.06	0.72	3000	11.33	0.06	<24
EC6015TH24X	24	0.15	3.6	5500	20.73	0.2	<39
EC6015HH24X	24	0.13	3.12	5000	19.42	0.18	<37
EC6015H24X	24	0.11	2.64	4500	18.12	0.16	<32
EC6015M24X	24	0.09	2.16	4000	14.28	0.12	<29
EC6015L24X	24	0.07	1.68	3500	12	0.07	<27

6015 series

- ▶ Material:impeller & Frame:Plastic(UL 94V-0)
- ▶ Lead Wires:
UL 1007 AWG #26 Or Equivalent
Red Wire Positive(+), Black Wire Negative(-), Yellow Wire Or Blue Wire Signal(FG)
- ▶ Function type is optional.

- ▶ The max air flow and the speed are measured in free air; max air pressure is measured at zero air flow.
- ▶ Noise is measured in anechoic chamber in free air, one meter from intake side.
- ▶ All readings are typical values at rated voltage.
- ▶ Specifications are subject to change without notice.
- ▶ Additional special function may be added according the requirement of customer.