

Ultra-Low Noise Directional MEMS Microphone

GENERAL DESCRIPTION

The ICS-40800 is an ultra-low noise, analog output, dual-ported MEMS microphone. The ICS-40800 includes a MEMS microphone element, an impedance converter, and an output amplifier.

The ICS-40800 is constructed from two sound ports, located on the bottom and top of the assembly. The dual port arrangement allows for the microphone to exhibit variable sensitivity to sound based on angle of arrival. The top port can also be sealed off resulting in a omni-directional sensitivity to sound.

The ICS-40800's 70 dB SNR and ± 1 dB sensitivity tolerance make it an excellent choice for far field voice control and speech applications.

The ICS-40800 is available in a small 4.00 mm \times 3.00 mm \times 1.20 mm surface-mount package.

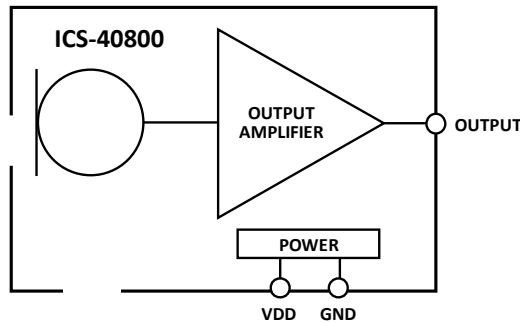
APPLICATIONS

- Tablet Computers
- Teleconferencing Systems
- Digital Still and Video Cameras
- Communication Headsets
- Security and Surveillance
- Microphone Arrays
- Voice Control and Activation

FEATURES

- Ultra-High 70 dBA SNR
- -38 dBV Sensitivity
- ± 1 dB Sensitivity Tolerance
- Small 4 \times 3 \times 1.2 mm Surface-Mount Package
- Inverted Signal Output
- Extended Frequency Response from 80 Hz to 20 kHz
- 155 μ A Current Consumption
- 128 dB SPL Acoustic Overload Point
- -86 dBV PSR
- Compatible with Sn/Pb and Pb-Free Solder Processes
- RoHS/WEEE Compliant

FUNCTIONAL BLOCK DIAGRAM



ORDERING INFORMATION

PART	TEMP RANGE	PACKAGING
ICS-40800	-40°C to +85°C	13" Tape and Reel
EV_IC3-40800-FX	—	—

TABLE OF CONTENTS

General Description 1

Applications 1

Features 1

Functional Block Diagram 1

Ordering Information..... 1

Table of Contents..... 2

Specifications 3

 Table 1. Electrical Characteristics 3

Absolute Maximum Ratings 4

 Table 2. Absolute Maximum Ratings 4

 ESD Caution 4

 Soldering Profile..... 5

 Table 3. Recommended Soldering Profile* 5

Pin Configurations And Function Descriptions 6

 Table 4. Pin Function Descriptions..... 6

Typical Performance Characteristics (OMNIDIRECTIONAL) 7

Typical Performance Characteristics (DIRECTIONAL)..... 8

Applications Information 9

 Codec Connection..... 9

Supporting Documents 10

 Evaluation Board User Guide..... 10

 Application Notes 10

PCB Design And Land Pattern Layout 11

 PCB Material And Thickness 11

Handling Instructions..... 12

 Pick And Place Equipment 12

 Reflow Solder..... 12

 Board Wash 12

 Top Port Tape Removal..... 12

Outline Dimensions..... 13

 Ordering Guide 13

 Revision History 14

Compliance Declaration Disclaimer 15

SPECIFICATIONS

TABLE 1. ELECTRICAL CHARACTERISTICS

T_A = 25°C, V_{DD} = 1.62 to 3.63 V, omnidirectional configuration – top hole sealed, unless otherwise noted. Typical specifications are not guaranteed.

PARAMETER	CONDITIONS	MIN	TYP	MAX	UNITS	NOTES
PERFORMANCE						
Output Polarity			Inverted			
Sensitivity	1 kHz, 94 dB SPL	-39	-38	-37	dBV	
Signal-to-Noise Ratio (SNR)	20 Hz to 20 kHz, A-weighted		70		dBA	
Equivalent Input Noise (EIN)	20 Hz to 20 kHz, A-weighted		24		dBA SPL	
Dynamic Range	Derived from EIN and maximum acoustic input		104		dB	
Frequency Response	Low frequency -3 dB point		80		Hz	1
	High frequency -3 dB point		>20		kHz	
Total Harmonic Distortion (THD)	105 dB SPL			0.6	%	
Power-Supply Rejection (PSR)	217 Hz, 100 mVp-p square wave superimposed on V _{DD} = 1.8 V, A-weighted		-86		dBV	
Power Supply Rejection Ratio (PSRR)	1 kHz, 100 mV p-p sine wave superimposed on V _{DD} = 1.8 V		-55		dB	
Acoustic Overload Point	10% THD		128		dB SPL	
POWER SUPPLY						
Supply Voltage (V _{DD})		1.62		3.63	V	
Supply Current (I _S)						
	V _{DD} = 1.8 V		155		μA	
	V _{DD} = 2.75 V		155		μA	
OUTPUT CHARACTERISTICS						
Output Impedance			338		Ω	
Maximum Output Voltage	128 dB SPL input		0.531		V rms	
Noise Floor	20 Hz to 20 kHz, A-weighted, rms		-108		dBV	

Note 1: See Figure 3.

ABSOLUTE MAXIMUM RATINGS

Stress above those listed as Absolute Maximum Ratings may cause permanent damage to the device. These are stress ratings only and functional operation of the device at these conditions is not implied. Exposure to the absolute maximum ratings conditions for extended periods may affect device reliability.

TABLE 2. ABSOLUTE MAXIMUM RATINGS

PARAMETER	RATING
Supply Voltage (V _{DD})	-0.3 V to +3.63 V
Mechanical Shock	10,000 g
Vibration	Per MIL-STD-883 Method 2007, Test Condition B
Temperature Range	
Biased	-40°C to +85°C
Storage	-55°C to +150°C

ESD CAUTION



ESD (electrostatic discharge) sensitive device. Charged devices and circuit boards can discharge without detection. Although this product features patented or proprietary protection circuitry, damage may occur on devices subjected to high energy ESD. Therefore proper ESD precautions should be taken to avoid performance degradation or loss of functionality.

SOLDERING PROFILE

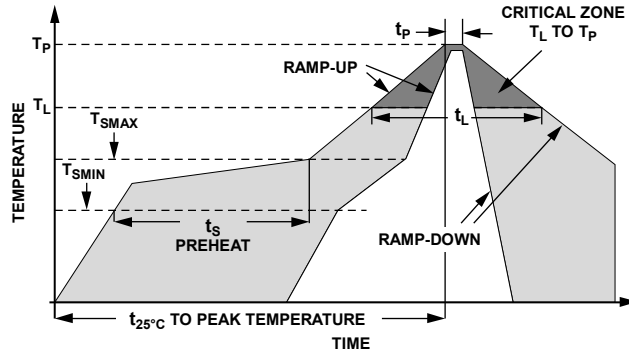


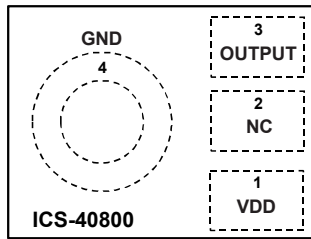
Figure 1. Recommended Soldering Profile Limits

TABLE 3. RECOMMENDED SOLDERING PROFILE*

PROFILE FEATURE		Sn63/Pb37	Pb-Free
Average Ramp Rate (T_L to T_P)		1.25°C/sec max	1.25°C/sec max
Preheat	Minimum Temperature (T_{SMIN})	100°C	100°C
	Maximum Temperature (T_{SMAX})	150°C	200°C
	Time (T_{SMIN} to T_{SMAX}), t_s	60 sec to 75 sec	60 sec to 75 sec
Ramp-Up Rate (T_{SMAX} to T_L)		1.25°C/sec	1.25°C/sec
Time Maintained Above Liquidous (t_L)		45 sec to 75 sec	~50 sec
Liquidous Temperature (T_L)		183°C	217°C
Peak Temperature (T_P)		215°C +3°C/-3°C	260°C +0°C/-5°C
Time Within +5°C of Actual Peak Temperature (t_p)		20 sec to 30 sec	20 sec to 30 sec
Ramp-Down Rate		3°C/sec max	3°C/sec max
Time +25°C ($t_{25^\circ\text{C}}$) to Peak Temperature		5 min max	5 min max

***Note:** The reflow profile in Table 3 is recommended for board manufacturing with InvenSense MEMS microphones. All microphones are also compatible with the J-STD-020 profile

PIN CONFIGURATIONS AND FUNCTION DESCRIPTIONS



TOP VIEW
(TERMINAL SIDE DOWN)
Not to Scale

Figure 2. Pin Configuration

TABLE 4. PIN FUNCTION DESCRIPTIONS

PIN	NAME	FUNCTION
1	VDD	Power Supply
2	NC	No Connect – Leave pin floating
3	OUTPUT	Analog Output Signal
4	GND	Ground

TYPICAL PERFORMANCE CHARACTERISTICS (OMNIDIRECTIONAL)

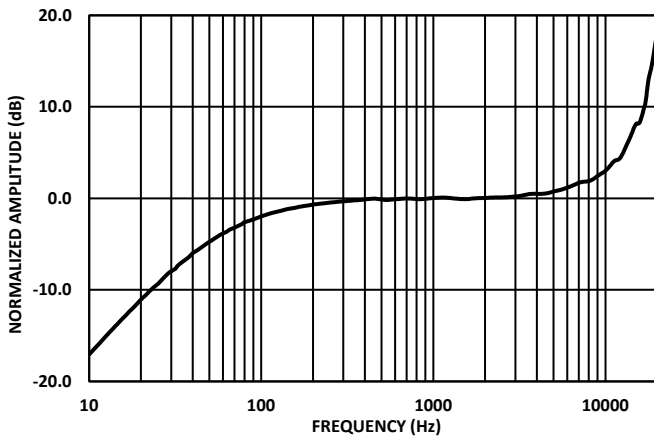


Figure 3. Typical Omnidirectional Frequency Response (Measured)

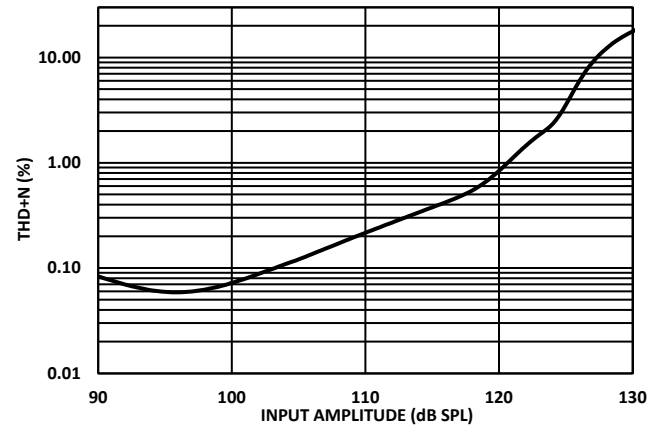


Figure 4. THD + N vs. Input Level

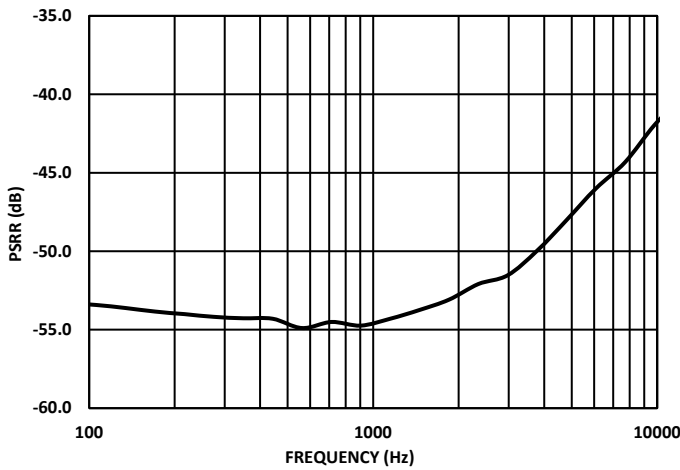


Figure 5. Power-Supply Rejection Ratio (PSRR) vs. Frequency

TYPICAL PERFORMANCE CHARACTERISTICS (DIRECTIONAL)

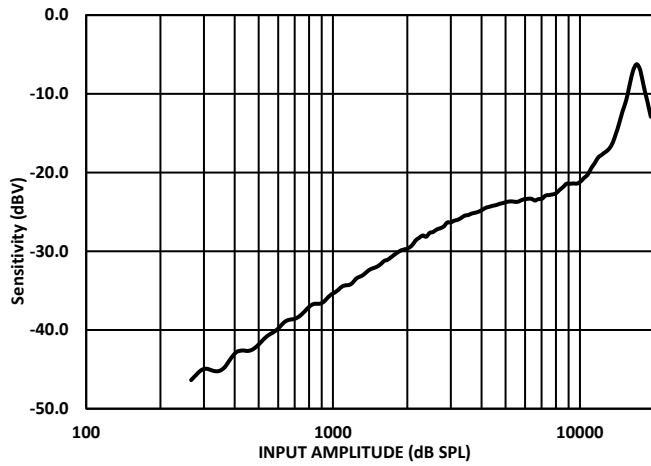


Figure 6. On-axis (0° Normalized) Uncompensated Sensitivity vs. Frequency*

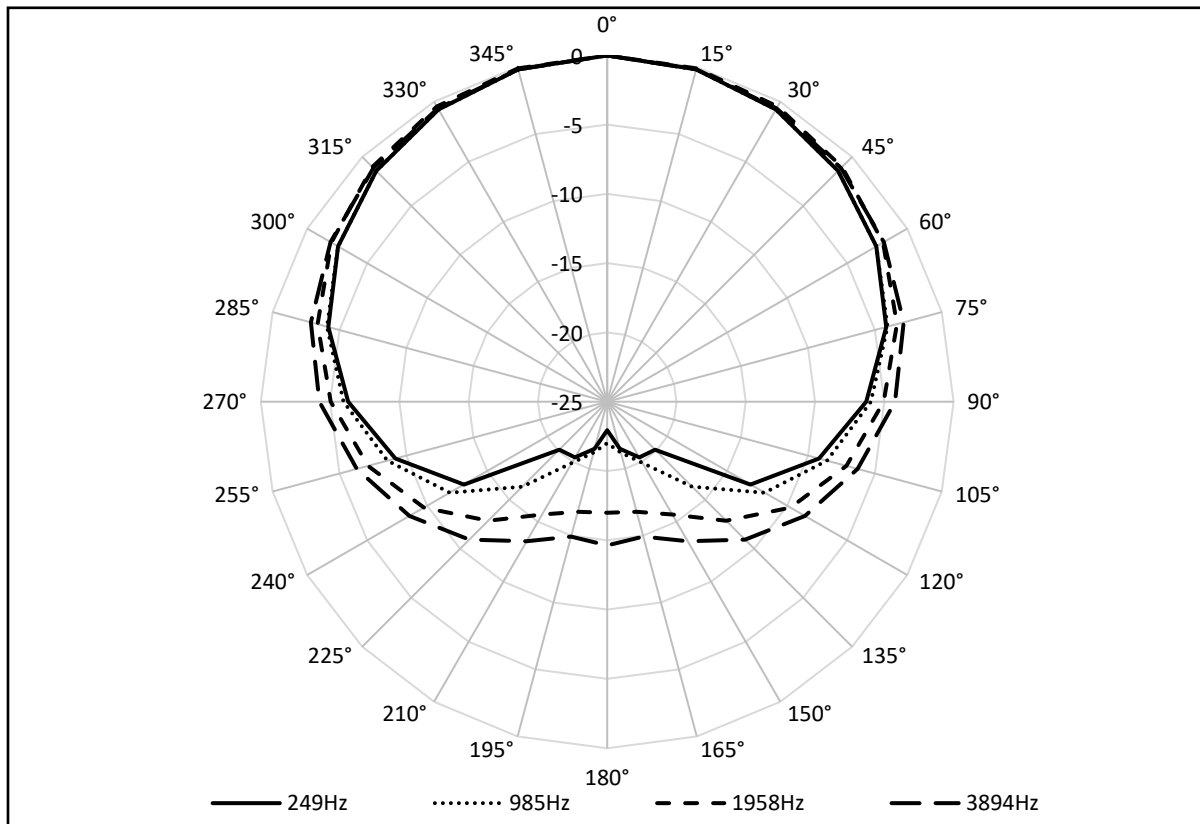


Figure 7. On-axis (0° Normalized) Polar Response*

*Figures 6 and 7 refer to data from our specific reference design detailed in Application Note AN-000172. Actual results are heavily dependent on system level mechanical design as mentioned in the application note.

APPLICATIONS INFORMATION

CODEC CONNECTION

The ICS-40800 output can be connected to a dedicated codec microphone input (see Figure 8) or to a high input impedance gain stage. A 0.1 μF ceramic capacitor placed close to the ICS-40800 supply pin is used for testing and is recommended to adequately decouple the microphone from noise on the power supply. DC blocking capacitors are required at the outputs of the microphone. These capacitors create a high-pass filter with a corner frequency at

$$f_c = 1 / (2\pi \times C \times R)$$

where *R* is the input impedance of the codec.

A minimum value of 2.2 μF is recommended in Figure 8 because the input impedance of some codecs can be as low as 2 kΩ at their highest PGA gain setting, which results in a high-pass filter corner frequency at 37 Hz.

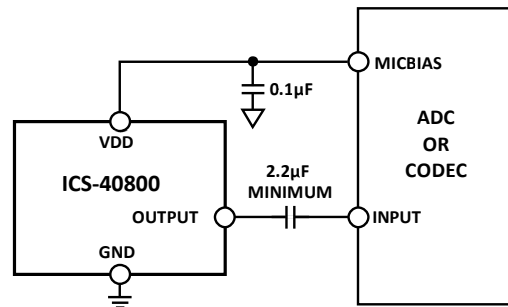


Figure 8. ICS-40800 Connected to a Codec

SUPPORTING DOCUMENTS

For additional information, see the following documents.

EVALUATION BOARD USER GUIDE

AN-000013, Analog Output MEMS Microphone Flex Evaluation Board User Guide

APPLICATION NOTES

AN-100, *MEMS Microphone Handling and Assembly Guide*

AN-1003, *Recommendations for Mounting and Connecting the InvenSense Bottom-Ported MEMS Microphones*

AN-1112, *Microphone Specifications Explained*

AN-1124, *Recommendations for Sealing InvenSense Bottom-Port MEMS Microphones from Dust and Liquid Ingress*

AN-1140, *Microphone Array Beamforming*

AN-1165, *Op Amps for Microphone Preamp Circuits*

AN-1181, *Using a MEMS Microphone in a 2-Wire Microphone Circuit*

AN-000172, *Using MEMS Microphones in Directional Applications*

PCB DESIGN AND LAND PATTERN LAYOUT

Lay out the PCB land pattern for the ICS-40800 at a 1:1 ratio to the solder pads on the microphone package (see Figure 9.) Take care to avoid applying solder paste to the sound hole in the PCB. Figure 10 shows a suggested solder paste stencil pattern layout. The response of the ICS-40800 is not affected by the PCB hole size, as long as the hole is not smaller than the sound port of the microphone (0.75 mm, or 0.0295 inch, in diameter). A 1 mm (0.040 inch) diameter for the hole is recommended.

Align the hole in the microphone package with the hole in the PCB. The exact degree of the alignment does not affect the performance of the microphone as long as the holes are not partially or completely blocked.

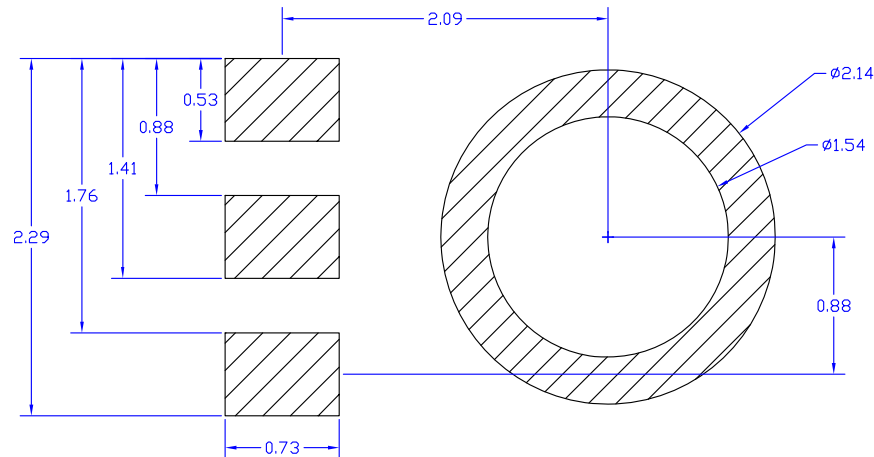
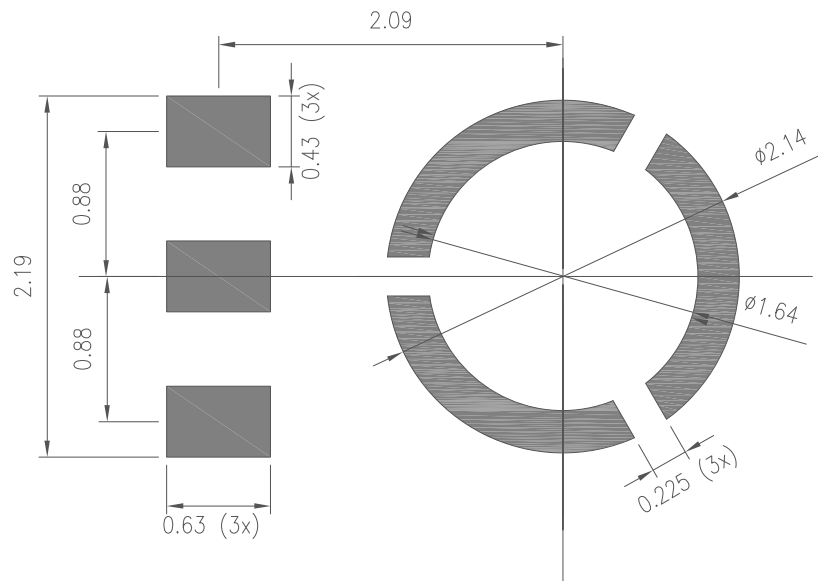


Figure 9. Suggested PCB Land Pattern Layout



Note : All units in mm

Figure 10. Suggested Solder Paste Stencil Pattern Layout

PCB MATERIAL AND THICKNESS

The performance of the ICS-40800 is not affected by PCB thickness. The ICS-40800 can be mounted on either a rigid or flexible PCB. A flexible PCB with the microphone can be attached directly to the device housing with an adhesive layer. This mounting method offers a reliable seal around the sound port while providing the shortest acoustic path for good sound quality.

HANDLING INSTRUCTIONS

PICK AND PLACE EQUIPMENT

The MEMS microphone can be handled using standard pick-and-place and chip shooting equipment. Take care to avoid damage to the MEMS microphone structure as follows:

- Use a standard pickup tool to handle the microphone. Because the microphone hole is on the top of the package, the pickup tool should not be placed over the microphone port.
- Do not pick up the microphone with a vacuum tool that makes contact with the bottom side of the microphone.
- Do not pull air out of or blow air into the microphone port.
- Do not use excessive force to place the microphone on the PCB.

REFLOW SOLDER

For best results, the soldering profile must be in accordance with the recommendations of the manufacturer of the solder paste used to attach the MEMS microphone to the PCB. It is recommended that the solder reflow profile not exceed the limit conditions specified in Figure 1 and Table 3.

BOARD WASH

When washing the PCB, ensure that water does not make contact with the microphone port. Do not use blow-off procedures or ultrasonic cleaning.

TOP PORT TAPE REMOVAL

The ICS-40800 comes with a heat resistant pressure sensitive polyimide tape covering the top port to prevent particle contaminants during assembly and reflow. The cover tape can be removed with tweezers or adhesive tape.

OUTLINE DIMENSIONS

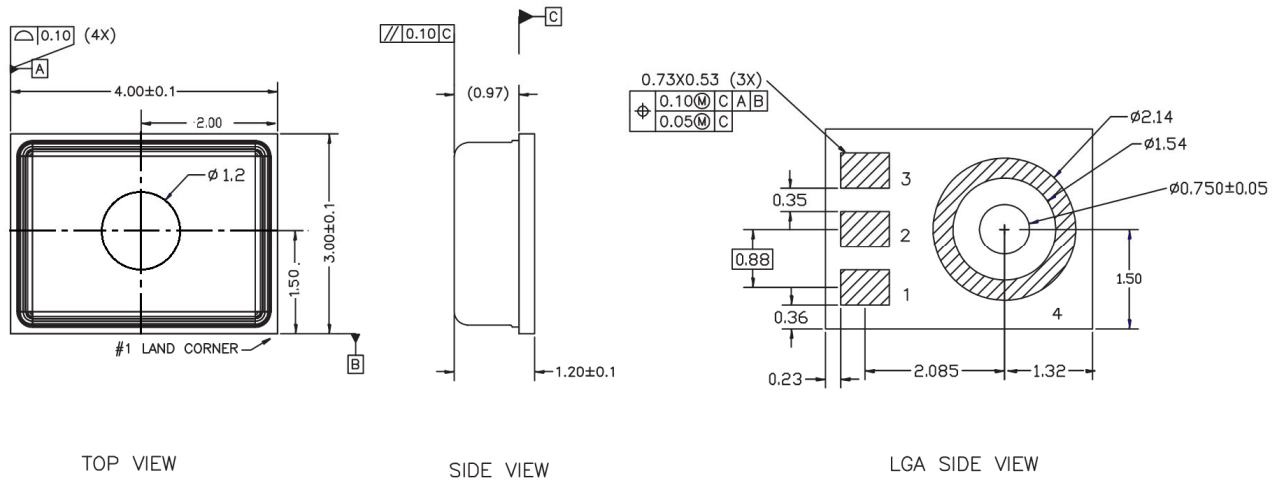


Figure 11. 4-Terminal Chip Array Small Outline No Lead Cavity
4 mm × 3 mm × 1.2 mm
Dimensions shown in millimeters

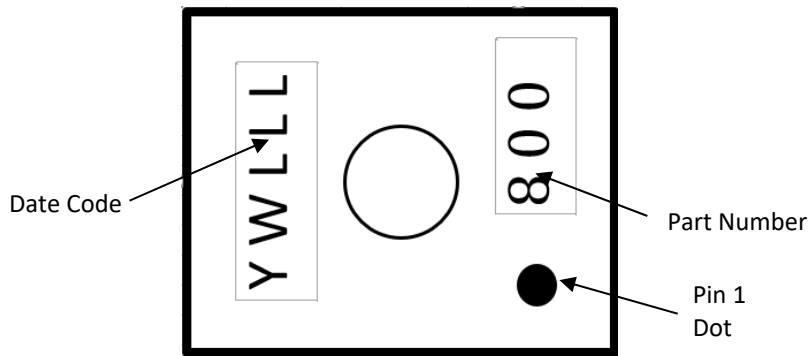


Figure 12. Package Marking Specification (Top View)

ORDERING GUIDE

PART	TEMP RANGE	PACKAGE	QUANTITY	PACKAGING
ICS-40800	-40°C to +85°C	4-Terminal LGA_CAV	5000	13" Tape and Reel
EV_ICs-40800-FX		Flex Evaluation Board		

REVISION HISTORY

REVISION DATE	REVISION	DESCRIPTION
12/13/2017	0.1	Preliminary
2/22/2018	0.2	Updated Polarity
2/6/2020	1.0	Initial Release
4/15/2020	1.1	Corrected typos
1/29/2021	2.0	Update Maximum Temperature typo in Table 3 Update Figure 12 to correct pin 1 dot marking

COMPLIANCE DECLARATION DISCLAIMER

InvenSense believes the environmental and other compliance information given in this document to be correct but cannot guarantee accuracy or completeness. Conformity documents substantiating the specifications and component characteristics are on file. InvenSense subcontracts manufacturing, and the information contained herein is based on data received from vendors and suppliers, which has not been validated by InvenSense.

This information furnished by InvenSense, Inc. ("InvenSense") is believed to be accurate and reliable. However, no responsibility is assumed by InvenSense for its use, or for any infringements of patents or other rights of third parties that may result from its use. Specifications are subject to change without notice. InvenSense reserves the right to make changes to this product, including its circuits and software, in order to improve its design and/or performance, without prior notice. InvenSense makes no warranties, neither expressed nor implied, regarding the information and specifications contained in this document. InvenSense assumes no responsibility for any claims or damages arising from information contained in this document, or from the use of products and services detailed therein. This includes, but is not limited to, claims or damages based on the infringement of patents, copyrights, mask work and/or other intellectual property rights.

Certain intellectual property owned by InvenSense and described in this document is patent protected. No license is granted by implication or otherwise under any patent or patent rights of InvenSense. This publication supersedes and replaces all information previously supplied. Trademarks that are registered trademarks are the property of their respective companies. InvenSense sensors should not be used or sold in the development, storage, production or utilization of any conventional or mass-destructive weapons or for any other weapons or life threatening applications, as well as in any other life critical applications such as medical equipment, transportation, aerospace and nuclear instruments, undersea equipment, power plant equipment, disaster prevention and crime prevention equipment.

©2021 InvenSense. All rights reserved. InvenSense, MotionTracking, MotionProcessing, MotionProcessor, MotionFusion, MotionApps, DMP, AAR, and the InvenSense logo are trademarks of InvenSense, Inc. The InvenSense logo is a trademark of InvenSense Corporation. Other company and product names may be trademarks of the respective companies with which they are associated.