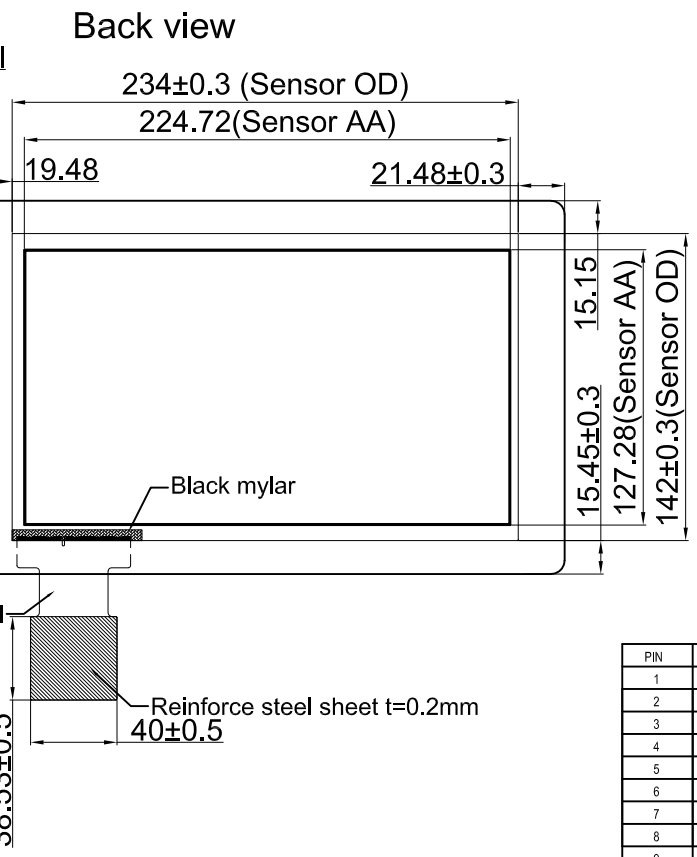
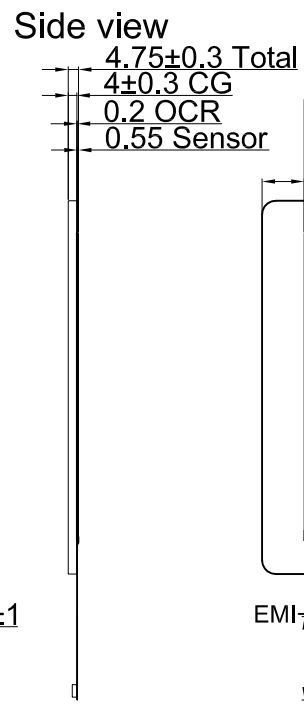
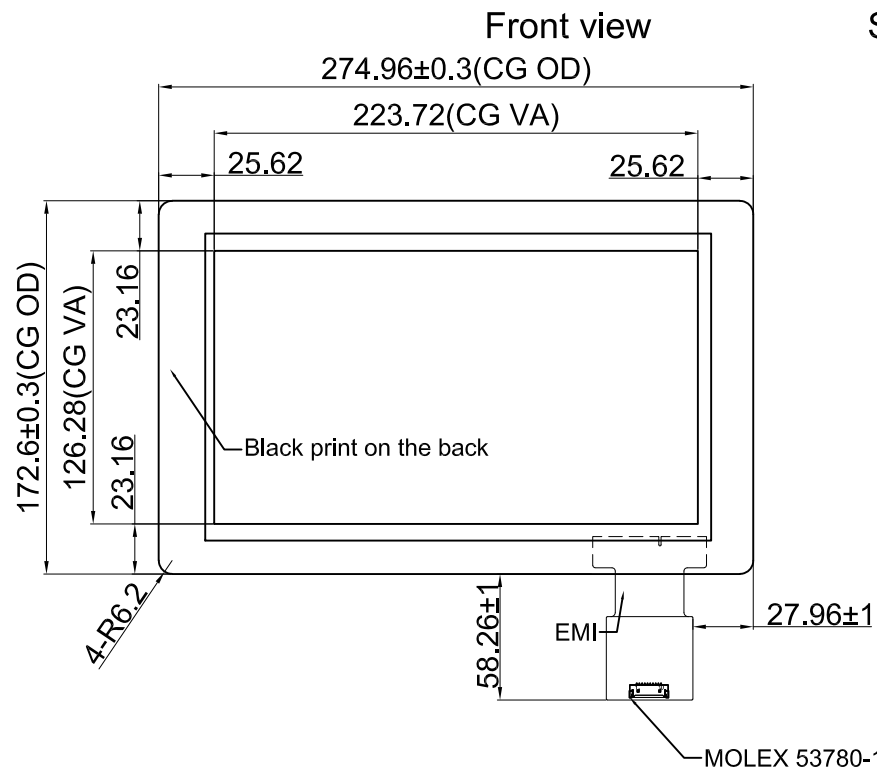




No.	Rev.	Revision Record	Name	Date.
△	V01	First Release	Bill	2021.06.25



PIN	MOLEX
1	TX
2	RX
3	D+
4	D-
5	VDD
6	GND
7	INT
8	SDA
9	SCL
10	WAKE/RST

Technical Spec:
 1. COVER LENS : Soda lime
 2. Chemical strength glass, surface hardness $\geq 7H$
 3. Transmittance $\geq 86\%$
 4. IC : EETI 3147(TX24*RX42), 10 points touch.
 5. Interface : USB /I2C
 6. Common tolerance $\pm 0.3mm$
 7. Follow RoHS standard
 8. Operating Temperature: $-20^{\circ}C \sim +60^{\circ}C$
 Storage Temperature: $-30^{\circ}C \sim +70^{\circ}C$

 Sense Touch Technology, Inc					
Rev	V01	Model No.	ST-101C29B		
Sheet	1 / 1	Customer P/N			
Unit	mm	Designed	Bill	Date	2021.06.25
Scale	1 : 1	Checked		Date	
Viewpoint		Approved		Date	