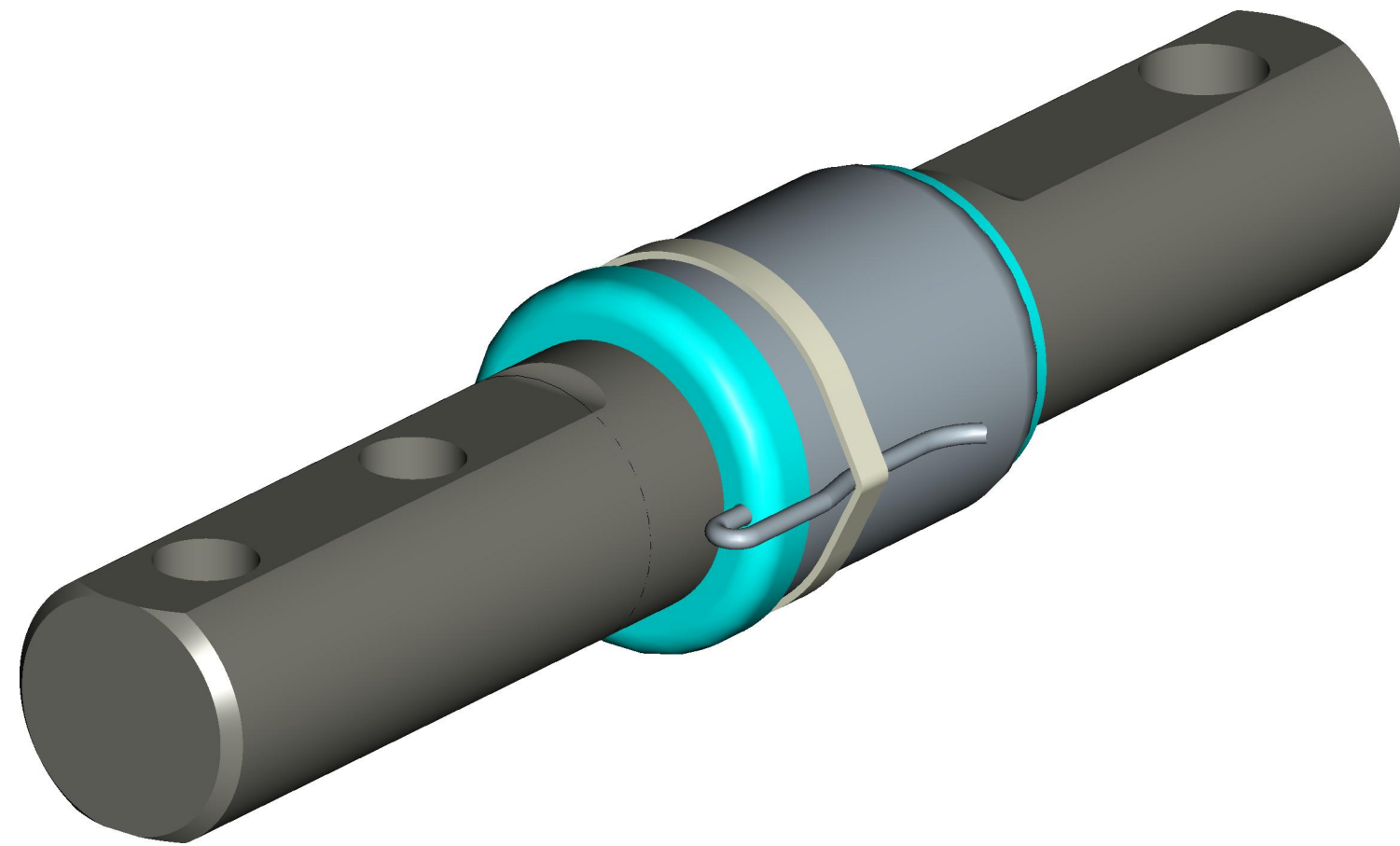


Bushing Tolerance
 $\phi 54 +0.2/+0.3$



This documents is for reference, dimensions are subject to change.

ALL RIGHTS OF THE PROJECT STRICTLY RESERVED TO DINAMICA GENERALE. REPRODUCTION OR ISSUE TO THIRD PARTIES IN ANY FORM WHATEVER IS, NOT PERMITTED WITHOUT WRITTEN AUTHORIZATION FROM DINAMICA GENERALE

INPUT +	RED
INPUT -	BLACK
OUTPUT +	GREEN
OUTPUT -	WHITE

SPECIFICATIONS	STATIC	MOBILE
RATED LOAD (LBS)	13559	9039
RATED LOAD (Kg)	6150	4100
RATED OUTPUT (mV/V)	0.68	0.45

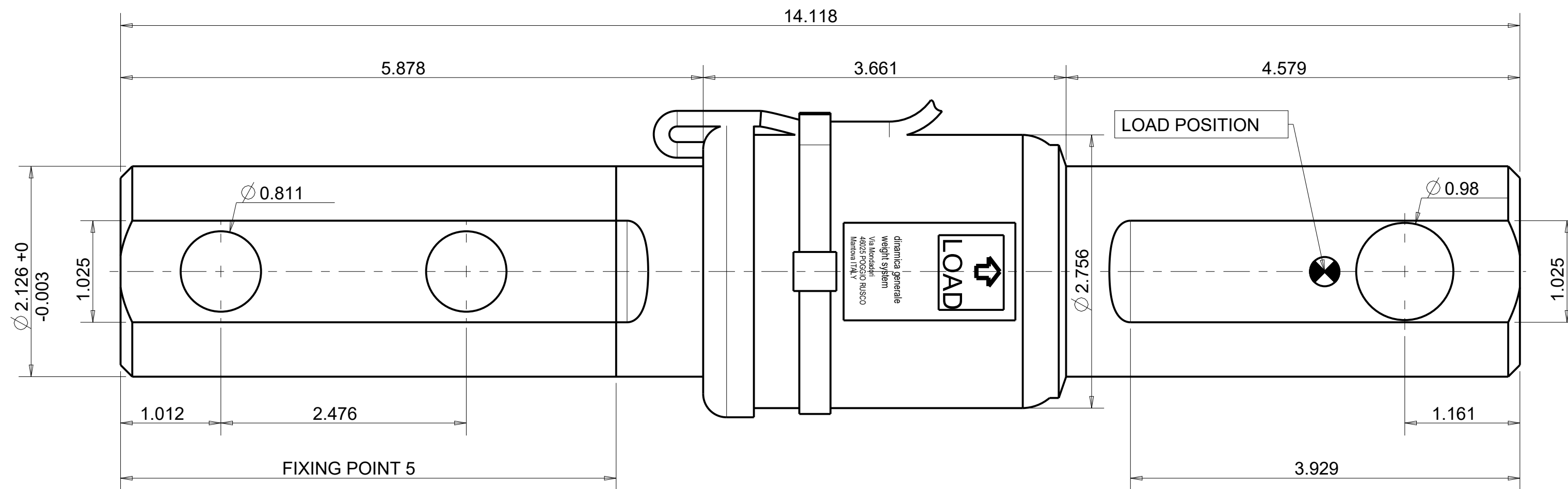
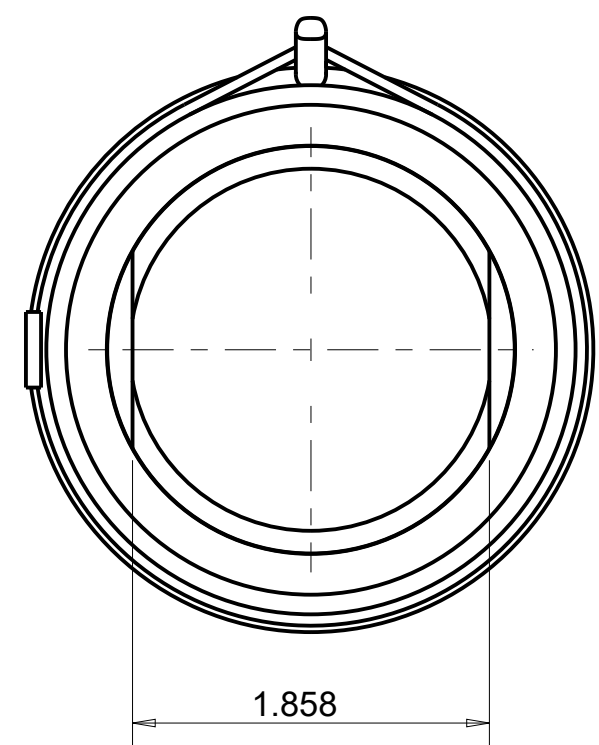
PART CODE	CABLE LENGHT		CABLE TERMINATION
	FT	m	
969-0069	21.3	6.5	ECP

SEE DOCUMENT DGCG01 FOR ADDITIONAL CABLE INFORMATIONS
 SEE DOCUMENT DGMG01 FOR ADDITIONAL MOUNTING GUIDELINES

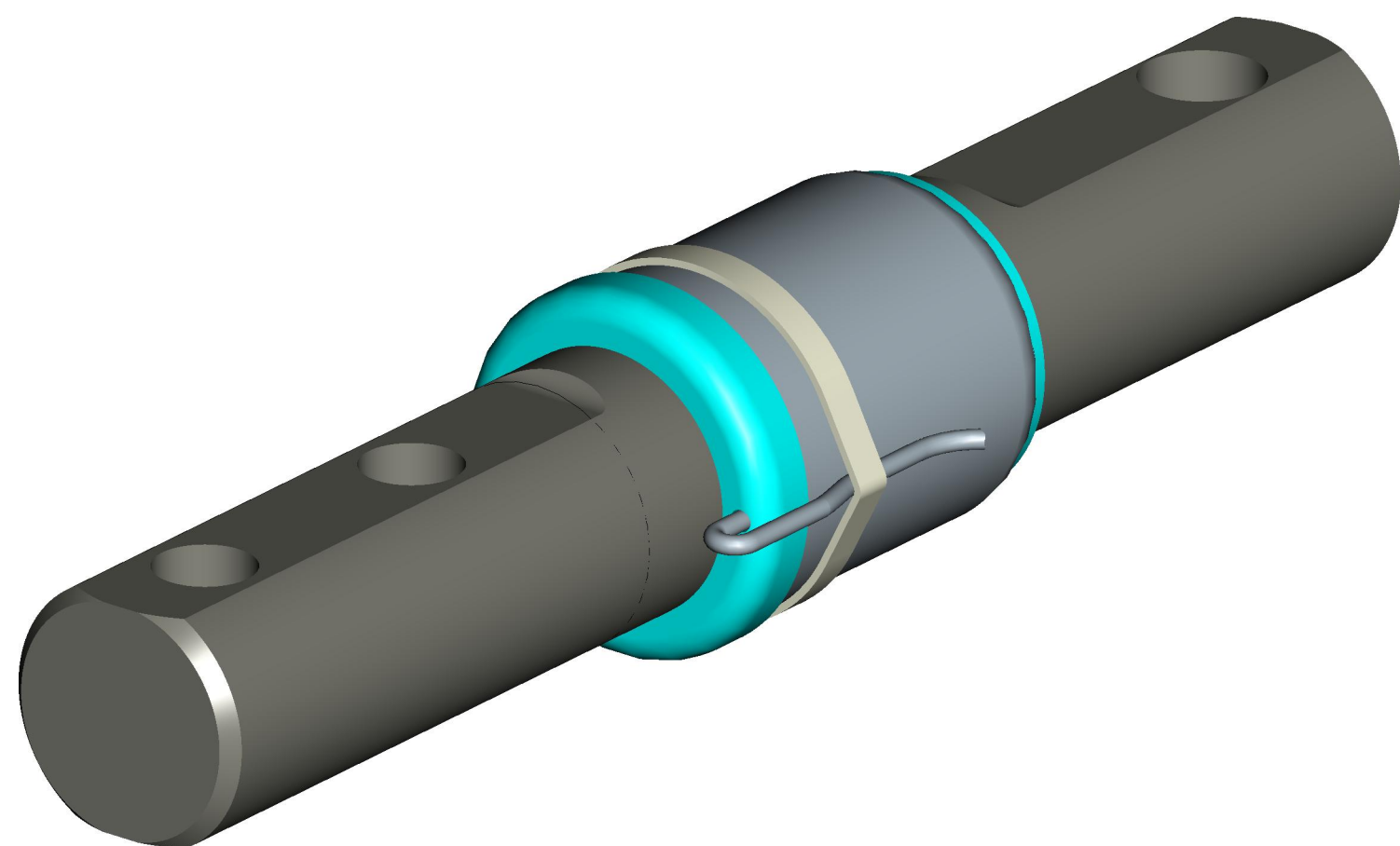
REV.	MOD.N.	DATE	SIGNATURE	DESCRIPTION	SCALE																														
E	A6	11/10/16	M.B.	Agg. fdm 234-16	A2																														
D	A5	29/10/14	M.B.	Aggiornamento protettivi																															
C	A4	02/11/10	M.B.	Sostituito cavo - standardizzazione codici																															
B	A3	05/05/08	M.B.	Inserita scheda universale																															
A	A2	29/03/07	M.B.	Rifatto e aggiornato																															
<table border="1"> <thead> <tr> <th>DATE</th> <th>*DRAWN</th> <th>*CHECKED</th> <th>*APPROVED</th> <th>UNSPECIFIED TOLLERANCES</th> </tr> </thead> <tbody> <tr> <td>29/03/2007</td> <td>29/03/2007</td> <td>29/03/2007</td> <td>29/03/2007</td> <td>± 0.5</td> </tr> <tr> <td>SIGNATURE</td> <td>M.BRESCIANI</td> <td>A. BARBI</td> <td>A. BARBI</td> <td>ROUGHNESS</td> </tr> <tr> <td>WEIGHT [kg]</td> <td colspan="3">5.877</td> <td>*REFER TO ORIGINAL DRAWING IF SIGNATURE ARE PRINTED</td> </tr> <tr> <td>DESCRIPTION</td> <td colspan="4">MOBILE Load Cell DG18144/54-BI C=6,5m + ECP</td> </tr> <tr> <td>CODE</td> <td>969-0069</td> <td>REV.</td> <td>A6</td> <td>THE COPY OF THIS DRAWING MUST BE APPROVED BY DINAMICA GENERALE</td> </tr> </tbody> </table>						DATE	*DRAWN	*CHECKED	*APPROVED	UNSPECIFIED TOLLERANCES	29/03/2007	29/03/2007	29/03/2007	29/03/2007	± 0.5	SIGNATURE	M.BRESCIANI	A. BARBI	A. BARBI	ROUGHNESS	WEIGHT [kg]	5.877			*REFER TO ORIGINAL DRAWING IF SIGNATURE ARE PRINTED	DESCRIPTION	MOBILE Load Cell DG18144/54-BI C=6,5m + ECP				CODE	969-0069	REV.	A6	THE COPY OF THIS DRAWING MUST BE APPROVED BY DINAMICA GENERALE
DATE	*DRAWN	*CHECKED	*APPROVED	UNSPECIFIED TOLLERANCES																															
29/03/2007	29/03/2007	29/03/2007	29/03/2007	± 0.5																															
SIGNATURE	M.BRESCIANI	A. BARBI	A. BARBI	ROUGHNESS																															
WEIGHT [kg]	5.877			*REFER TO ORIGINAL DRAWING IF SIGNATURE ARE PRINTED																															
DESCRIPTION	MOBILE Load Cell DG18144/54-BI C=6,5m + ECP																																		
CODE	969-0069	REV.	A6	THE COPY OF THIS DRAWING MUST BE APPROVED BY DINAMICA GENERALE																															

DINAMICA GENERALE
 Weight Systems
 46025 Poggio Rusco (MN)
 Via Mondadori, 15
 Tel. ++39 0386.52134
 Fax ++39 0386.51523

MEASURES EXPRESSED IN INCHES



Bushing Tolerance
 $\varnothing 2.126 +0.008/+0.012$



This documents is for reference, dimensions are subject to change.

ALL RIGHTS OF THE PROJECT STRICTLY RESERVED TO DINAMICA GENERALE. REPRODUCTION OR ISSUE TO THIRD PARTIES IN ANY FORM WHATEVER IS, NOT PERMITTED WITHOUT WRITTEN AUTHORIZATION FROM DINAMICA GENERALE

INPUT +	RED
INPUT -	BLACK
OUTPUT +	GREEN
OUTPUT -	WHITE

SPECIFICATIONS	STATIC	MOBILE
RATED LOAD (LBS)	13559	9039
RATED LOAD (Kg)	6150	4100
RATED OUTPUT (mV/V)	0.68	0.45

PART CODE	CABLE LENGHT		CABLE TERMINATION
	FT	m	
969-0069	21.3	6.5	ECP

SEE DOCUMENT DGCG01 FOR ADDITIONAL CABLE INFORMATION
 SEE DOCUMENT DGMG01 FOR ADDITIONAL MOUNTING GUIDELINES

REV.	MOD.N.	DATE	SIGNATURE	DESCRIPTION	SCALE
E	A6	11/10/16	M.B.	Agg. fdm 234-16	A2
D	A5	29/10/14	M.B.	Aggiornamento protettivi	
C	A4	02/11/10	M.B.	Sostituito cavo - standardizzazione codici	
B	A3	05/05/08	M.B.	Inserita scheda universale	
A	A2	29/03/07	M.B.	Rifatto e aggiornato	1/2
UNSPECIFIED TOLLERANCES					± 0.02
ROUGHNESS					
DESCRIPTION					
MOBILE Load Cell DG18144/54-BI C=6,5m + ECP					
CODE					
969-0069					
REV.					
A6					
THE COPY OF THIS DRAWING MUST BE APPROVED BY DINAMICA GENERALE					

DINAMICA GENERALE
 Weight Systems
 46025 Poggio Rusco (MN)
 Via Mondadori, 15
 Tel. ++39 0386.52134
 Fax ++39 0386.51523