

Data sheet

Page 1/5

OpDAT Industry IP67 V14 plug housing bend protected + 2LC MM plug insert

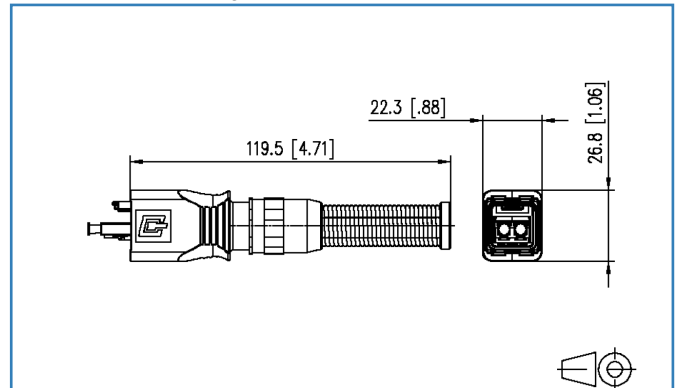
P/N
1402895020ME
EAN 4250184124481

2015-19-06

Illustrations



Dimensional drawing



See enlarged drawings at the end of document

Product specification

- plug housing with push-pull-lock acc. to ISO/IEC 24702 and IEC 61076-3-106 var. 14
- compliance with EN 50173-1:2011-09 and ISO/IEC 24702 with regard to limit values for insertion and return loss
- convex pre-polished pin made of zirconium oxide ceramics
- flame-retardant and halogen-free plastic pin body
- nickel-plated zinc die-cast plug receptacle
- strain relief element of breakout and mini breakout cables can be crimped to plug
- safe handling of assembled plugs during mounting
- IP67 protected housing to hold Industry plug inserts
- increased diameter range of 10 mm for connection of cable jackets
- resistant to welding sputter
- industry-compatible metal housing with improved durability
- flammability class as per UL 94V-0
- improved resistance to chemical substances
- snap-on clip for color coding after assembly
- with metal anti-bend sleeve
- cable can be pushed through preassembled plug housing

variants:

2LC

SM, MM

SC-RJ/2SC

SM, MM, POF

OpDAT Industry IP67 V14 plug housing bend protected + 2LC MM plug insert

P/N

1402895020ME

EAN 4250184124481

2015-19-06

Technical Data

General Data

| | |
|--------------------------------|---------------------------|
| Fields of application | Harsh environment |
| Design | Plugs |
| Transmission technology | Fiber optic |
| Color protective housing | metallike |
| Dimensions | |
| Dimension (L x W x H) | 126.25 x 26.80 x 22.30 mm |
| Dimension (L x W x H) | 4.97 x 1.06 x 0.88 in. |
| Mode type of the fiber | Multimode |
| Convex preformed abutting face | yes |
| Labeling option | on housing |
| Marking option | by latching clip |

Connections/interfaces

| | |
|----------------------------------|-----------|
| Connector technology interface 1 | Fast Cure |
| Connector technology interface 2 | LC |
| Protective housing interface 1 | V14 |
| Protective housing interface 2 | V14 |
| Cable access/outlet | 180° |

Mechanical characteristics

| | |
|-------------------------------------|-----------------|
| Cut-out | SC, LC-D, E2000 |
| Locking method (protective housing) | Push Pull |
| Life - Number of mating cycles | min. 1000 |
| Strain relief | Crimp sleeve |

Materials and material properties

| | |
|-------------------------------|--------------------------------------------|
| Material - Housing | GD-Zn (zinc die-cast) |
| Material - Housing finish | Ni (nickel) |
| Material - Protective housing | metal |
| Material - Insulating body | plastics, flame-retardant and halogen free |
| Material - Cable boot | metal |
| Material - Sleeve | ceramic, slotted |
| Material - Ferrule | Ceramic |



OpDAT Industry IP67 V14 plug housing bend protected + 2LC MM plug insert

P/N
1402895020ME
EAN 4250184124481

2015-19-06

Technical Data

Environmental conditions

| | |
|-------------------------------|------------------------------|
| Particulate ingress | IP6X with protective housing |
| Liquid ingress/immersion | IPX7 with protective housing |
| Resistance to welding beads | yes |
| Increased robustness | yes |
| Increased chemical resistance | yes |

Certifications

| | |
|--------------------|-----|
| Gost Certification | yes |
|--------------------|-----|

Approvals

| | |
|------|-----------|
| RoHS | compliant |
|------|-----------|

The product meets the following standards

| | |
|----------------------------------------------|---------------------------------------------------------------|
| Generic cabling systems | |
| General requirements | DIN EN 50173-1:2011-09 |
| Industrial area | ISO/IEC 24702 AMD 1 DIN EN 50173-3: 2011-09 TIA/EIA 1005 |
| Degrees of Protection Provided by Enclosures | IEC 60529:2014-09 |
| Connectors for electronic equipment | |
| Rectangular connectors | DIN EN 61076-3-117 |

Classifications

| | |
|----------|----------|
| ETIM 5.0 | EC001121 |
|----------|----------|

Packing details

| | |
|---------------------------------|----------------------------|
| Type of packaging | 10 pc(s) / box |
| Packaging unit - Weight (gram) | 1186.00 g |
| Packaging unit - Weight (pound) | 2.61 lb |
| Packaging dimension (D x W x H) | 58.00 x 247.00 x 161.00 mm |
| Packaging dimension (D x W x H) | 2.28 x 9.72 x 6.34 in. |



Data sheet

Page 4/5

**OpDAT Industry IP67 V14 plug housing bend protected
+ 2LC MM plug insert**

P/N

1402895020ME

EAN 4250184124481

2015-19-06

Accessories

| P/N | Designation |
|--------------|-------------------------------------------------|
| 1401088002KI | E-DAT Industry IP67 V14 plug protection cap |
| 1401009001-I | Industry color coding ring V1/V4/V14 orange |
| 1401009003-I | Industry color coding ring V1/V4/V14 light grey |
| 1401009004-I | Industry color coding ring V1/V4/V14 white |
| 1401009005-I | Industry color coding ring V1/V4/V14 yellow |
| 1401009006-I | Industry color coding ring V1/V4/V14 blue |
| 1401009007-I | Industry color coding ring V1/V4/V14 green |



Data sheet

Page 5/5

**OpDAT Industry IP67 V14 plug housing bend protected
+ 2LC MM plug insert**

P/N

1402895020ME

EAN 4250184124481

2015-19-06

Illustrations

Dimensional drawing

