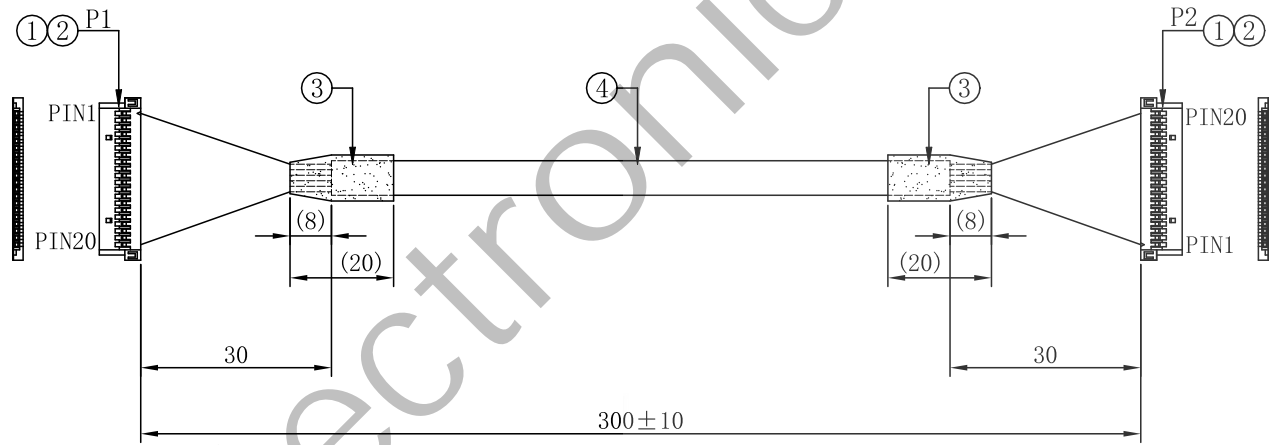


Color	P1	P2
Red	1	1
Red Black	2	2
Yellow	3	3
Yellow Black	4	4
Green	5	5
Green Black	6	6
Light Blue	7	7
Light Blue Black	8	8
Blue	9	9
Blue White	10	10
Purple	11	11
Purple White	12	12
White	13	13
White Black	14	14
Pink	15	15
Pink Black	16	16
Brown	17	17
Brown White	18	18
Light Blue Yellow	19	19
Light Blue Green	20	20



CUSTOMER:		MODEL: LVDS-DF19G-20S-DF19G-20S-300	
NAME:		SPEC: DF19G-20S-1C to DF19G-20S-1C	
DWG NO:		DESIGN	REV: A
DESIGN	CHECK	APPR	UNIT: mm
FRED			SCALE: $\phi$ $\triangleleft$
2026.02.24			SHEET: 1/1
NO.	NAME:	P/N	SPEC:
4	Wire		UL20276 28# L=310
3	Heat-shrink tubing		$\Phi$ 6 Heat-shrink tubing L=20
2	Terminal		DF19-2830SCF
1	House		DF19G-20S-1C Pitch=1.0
			QTY OTS

4	Wire		UL20276 28# L=310	1PC	
3	Heat-shrink tubing		$\Phi$ 6 Heat-shrink tubing L=20	2PCS	
2	Terminal		DF19-2830SCF	40PCS	
1	House		DF19G-20S-1C Pitch=1.0	2PCS	
NO.	NAME:	P/N	SPEC:	QTY	OTS