

Product Features

- 1, Constant current output
- 2, High Quality of light
- 3, High Reliability
- 4, Low Output Current Ripple
- 5, Isolated
- 6, Internal usage
- 7, Emergency power: 3W
- 8, Emergency periods: 1.5hrs
- 9, Input voltage 380Vac protection

1) Compliances and Approvals

Approvals	CE EAC
Built-in/independent	Built in
Ingress protection	IP20
Suitable for fixture of protection Class	Class I
Output Safety Level	Isolated
Environmental	Indoor
Features	Fixed

2) Electric Input Characteristics

	Symbol	Remarks	Min.	Typical	Max.	Unit
Input Voltage						
Rated mains voltage	Vin	Nominal range	220	-	240	Vac
Mains voltage range	Vin.op	operational	195	-	264	Vac
Mains frequency nominal	fn	Nominal range	50		60	Hz
Rated mains voltage	Vin	Nominal range		NA		Vdc
Starting time		@230Vac, full load			500	ms
Input Current						
Input current	Iin	@230Vac, full load		0.13		A
Input inrush current		@264Vac, 50% width		12A,172us		A, us
Power Factor	PF	@230Vac, full load	0.95			
Total Harmonic distortion	THD	@230Vac, full load			10	%
System Efficiency	η	@230Vac, full load,charging		84		%
Input Power						
Input Power	Pin	@230Vac, full load			26	W
Input Power@ open load		rated input voltage,charging			2	W
Input Power@ standby		rated input voltage		NA		

3) Electric Output Characteristics

	Symbol	Remarks	Min.	Typical	Max.	Unit
Output Voltage						
Output voltage range	Vo	measured at end of wire	12		65	Vdc
Output voltage @no load	Vo.max	open load		80		Vdc
Output Current						
Output Current	Io			350		mA
Output Current tolerance			-5		5	%
Current Ripple		@230Vac (Imax-Imin)/(Imax+Imin)		1		%
Output Power						
Output Power	Po	output performance power			23	W
Isolation						
In-Out		3000Vac. for 1min			10	mA

4) Emergency Characteristics

	Symbol	Remarks	Min.	Typical	Max.	Unit
Emergency Power		Battery fully charged		3		W
Recharge Time				24		Hours
Emergency Periods				1.5		Hours
Battery		LiFePO4		18650 6.4V 1.5Ah		
Self-testing				With		

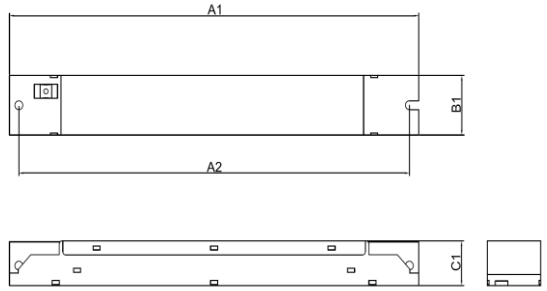
5) Robustness	Symbol	Remarks	Min.	Typical	Max.	Unit
General						
Electric strength	Input-Output	50Hz/60Hz and be applied for 1 min		3000		Vrms
	Input-GND			1480		Vrms
Insulation Resistance Test		500Vd.c. for 1min, For SELV part is 100 Vd.c.	2			MΩ
Reliability						
Rated Life@Tc.max		10% failure			50K	Hrs
Rated Life@Tc.life		10% failure			100K	Hrs
Surge	L-N			0.5		kV
Surge	L/N-PE			1		kV
Environment Operation						
Ambient temperature	Ta		0		45	°C
Maximum Tcase	Tc.max				70	°C
Tc life	Tc.life				60	°C
Operation Humidity	H.op		10		75	%
Environment Storage						
Storage temperature	T.st		-10		45	°C
Storage Humidity	H.st		10		75	%
Abnormal Condition						
Input Over Voltage		Protected, no damage to driver ^①		380		Vac
Output Short Circuit		Protected, no damage to driver ^②		With		
Output Open load		Output voltage limited to Vo.max ^③		75		Vdc
Too High Ambient Temperature		Protected by built-in thermal protection in controller IC ^④		With		
Input Over Power		Input power should be limited and no damage to driver ^⑤			26	W

- ① If the LED driver connects to Input Voltage 380Vac, then the protection Turn On and the Led driver is switched off until its connect to Input voltage 220-240Vac. In this protection mode, the led driver does not blink and can be not damage more than 48 hours
- ② Auto Recovery
- ③ Auto Recovery
- ④ The output current decreases
- ⑤ There is risk to damage the LED driver or decreases the life time.

6) Warranty

- Warranty 5 years
- Except for the following circumstance:
 - 1) Improper Installation or operation
 - 2) Misuse
 - 3) Abuse
 - 4) Unauthorized or improper repair alteration
 - 5) Accident or negligence in use, storage, transportation.
 - 6) Any natural destroy
 - 7) Exceed the specification as per the product datasheet
 - 8) The battery needs to be replaced every 12 months

7) Mechanical properties	Symbol	Remarks					Unit
Dimensions			L	W	H	M	
			230(A1)	30(B1)	22.5(C1)	219.5(A2)	mm
Housing Material			Metal				



8) Physical properties	Symbol	Remarks	Unit	
Weight			183	gram
Qty to Carton			50	pcs
Carton Size:			32*24*19	cm
G.W:			9.5	kgs
Potting Raw materials			without	
Printing		printing can be changed by customer's email confirmation		

size:167*27mm

INPUT		Uin, Vac	Fn, Hz	Pin, W	Iin, A	PF	Uout, Vdc	Umax, Vdc	Iout, mA	Ta, °C	Tc, °C	LED Indicator	+
PE Earth		220-240	50/60	26	0.13	0.95	12-65	80	350	0...45	70	Test Switch	S
N Neutral												Battery	+
LS Switched Supply												BS	-
L Un-Switched Supply												OUTPUT	+

LED Driver

PL-HMEM-023WDC350-380V

tc: test point

Battery - LiFePO4 6.4 V / 1.5Ah

Operating time 1.5 hour

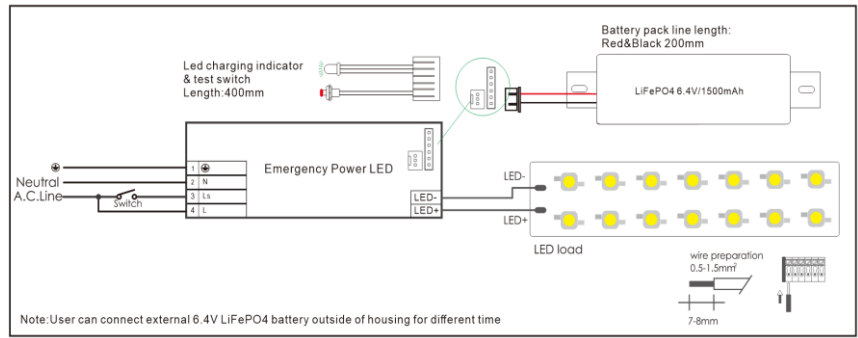
Output power under emergency mode 3 W

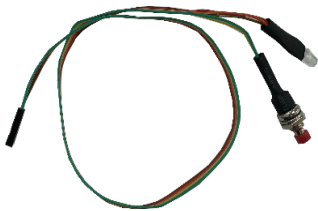
9-10 mm Cable 0.5-0.75

Made in China

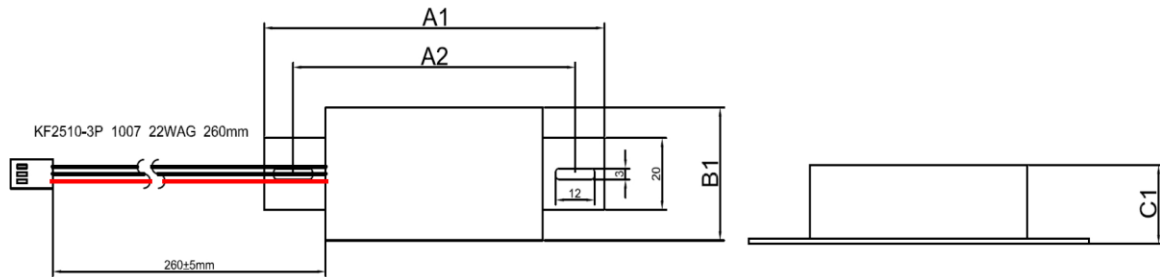
Connection	Signal	Cable Description	Remark
Input	PE	0.5-0.75mm ²	grey, push-in terminal
	N	0.5-0.75mm ²	grey, push-in terminal
	LS	0.5-0.75mm ²	grey, push-in terminal
	L	0.5-0.75mm ²	grey, push-in terminal
Output	-	0.5-0.75mm ²	black, push-in terminal
	+	0.5-0.75mm ²	red, push-in terminal
Connection Marking		Yes	

Connection Method



9) Test Switch	Symbol	Remarks	Min.	Typical	Max.	Unit	Unit
LED indicator		indicate that charging status					
Mounting hole		Dia		5			mm
wire Length				400			mm
LED indicator status							
		LED indicate		○			Off: Entering emergency state or circuit not powered on
		Test switch		●			Green stable: Battery fully charged
				● + ●			Green and Yellow: LED driver operates normally But without battery installed
				● + ●			Green and Red : LED driver operates normally Battery charging
Test Switch		checking the device function					
Mounting hole		Dia		7			mm
wire Length				400			mm

10) Battery	Symbol	Remarks					Unit
Dimensions			L	W	H	M	
			105(A1)	37(B1)	22(C1)	87(A2)	mm
Weight				95			gram
Qty to Carton				100			pcs
Carton Size:				47*24*16			cm
G.W:				11			kgs



Remark

- LiFePO4 18650 battery core
- Battery voltage 6.4V
- Rated 500 charge/discharge cycle
- Max.short term temperature 70°C
- Ambient temperature 0°C to +45°C
- Two wires: 1 red and 2 black
- Length: 260mm
- The battery needs to be replaced every 12 months
- To guarantee the rated discharge time, please charge the battery for at least more than 12 hours.
- Charge and discharge cycle needs to be done at least once every three months, and the continuous charging time can not exceed 3 months.

11) Directives / Test Standards

Safety
EMC

Directives / Test Standards

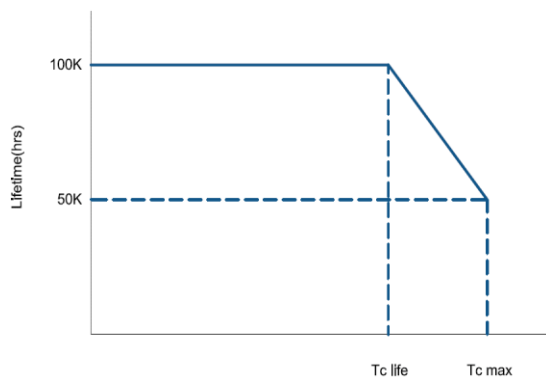
IEC61347-1、IEC61347-2-7、IEC61347-2-13、IEC60598-2-22
 EN55015、CISPR15、EN61000-3-2、EN61547、EN61000-4-2、EN61000-4-3、EN61000-4-4、
 EN61000-4-5、EN61000-4-6、EN61000-4-11

12) Addition Remarks

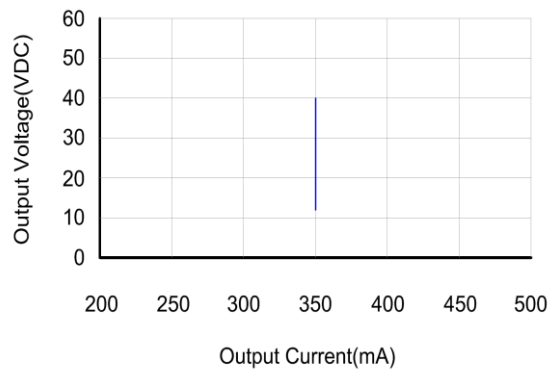
- The LED driver used in combination with the end device is one of the accessories of the whole light fixture, and the EMC of the whole light fixture is not only susceptible to the driver itself, but to the LED light fixture and the whole light fixture's wiring. The manufacturer of LED light fixture should re-confirm the EMC of the whole light fixture before the whole light fixture is finished.
- The luminaire manufacturer is responsible for the correct choice and installation of the LED drivers according to the application and product datasheets. Operating conditions of the LED drivers may never exceed the specifications as per the product datasheet.
- All parameters, if not specified, are measured at 230Vac full loading and 25°C ambient temperature

13) Performance

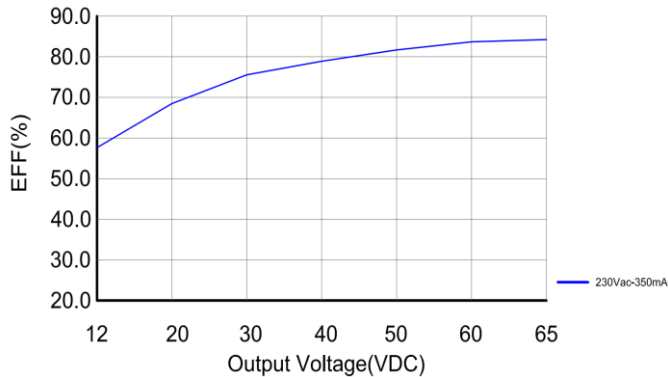
Lifetime vs. Temperature Curve



Operating window



Efficiency VS. Load



Power Factor Characteristics

