

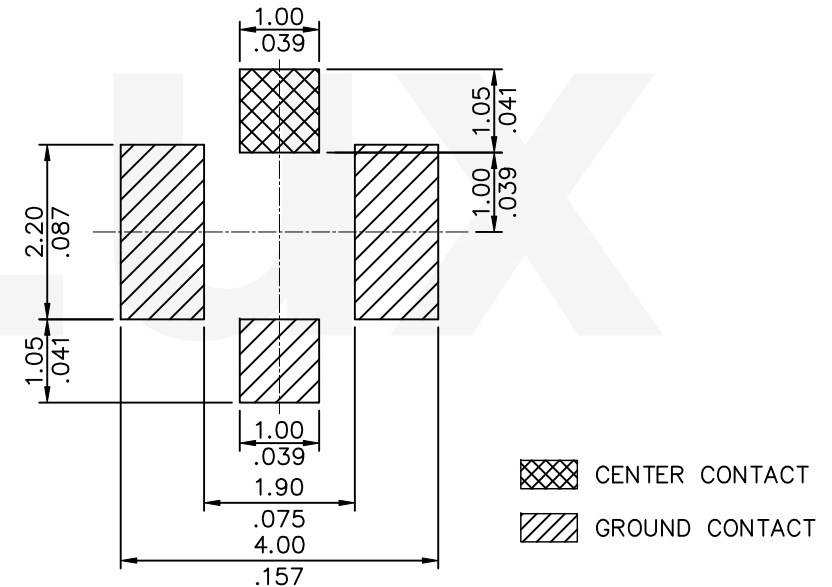
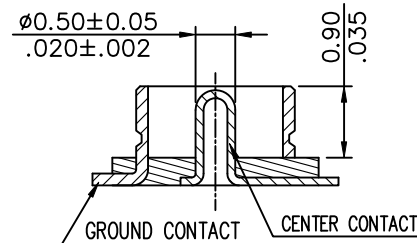
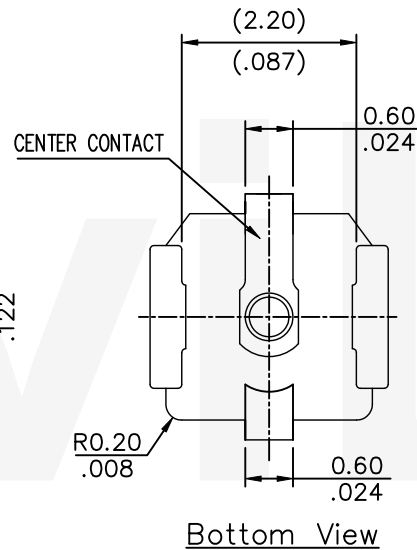
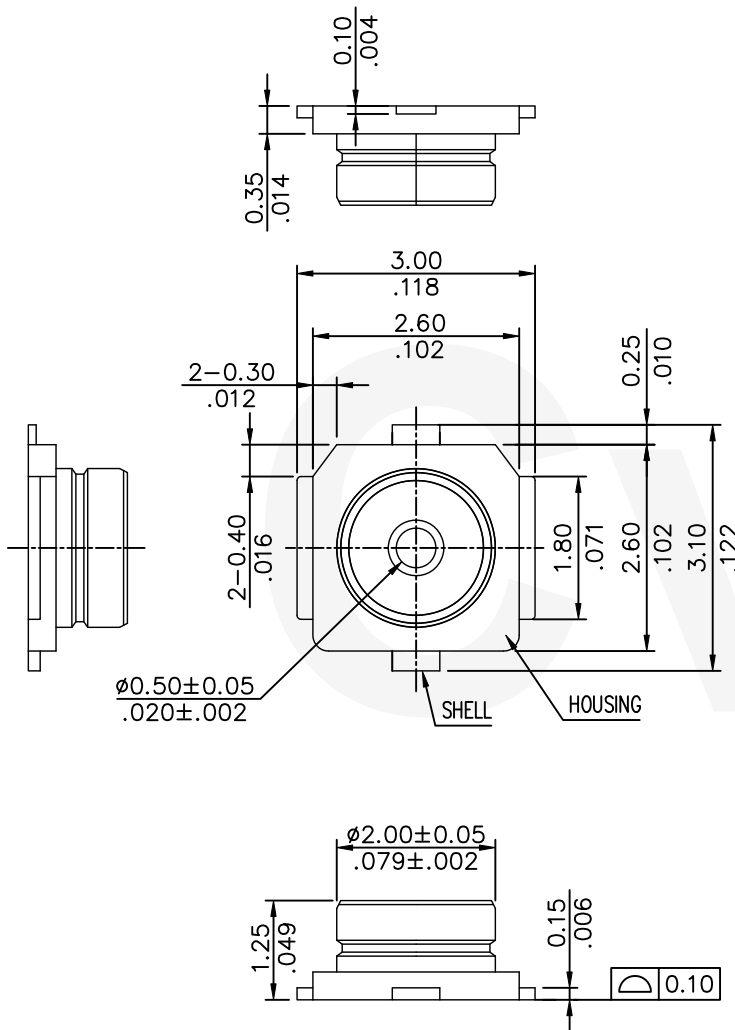
Material:

- * Housing: LCP, UL94V-0
- * Contact: Copper Alloy, T=0.10mm
- * Shell: Copper Alloy, T=0.15mm

Ordering Code


CRA1 S 7 2 0000
 ① ② ③ ④ ⑤

- ① Series No.
CRA1= Type I
- ② S= Receptacle Connector
- ⚠ ③ Center Contact Plating:
7= Gold flash plated over 50 μ" Min. Nickel
- ④ Ground Contact Plating:
2= Gold flash plated over 50 μ" Min. Nickel
- ⑤ Other option:
0000= Standard

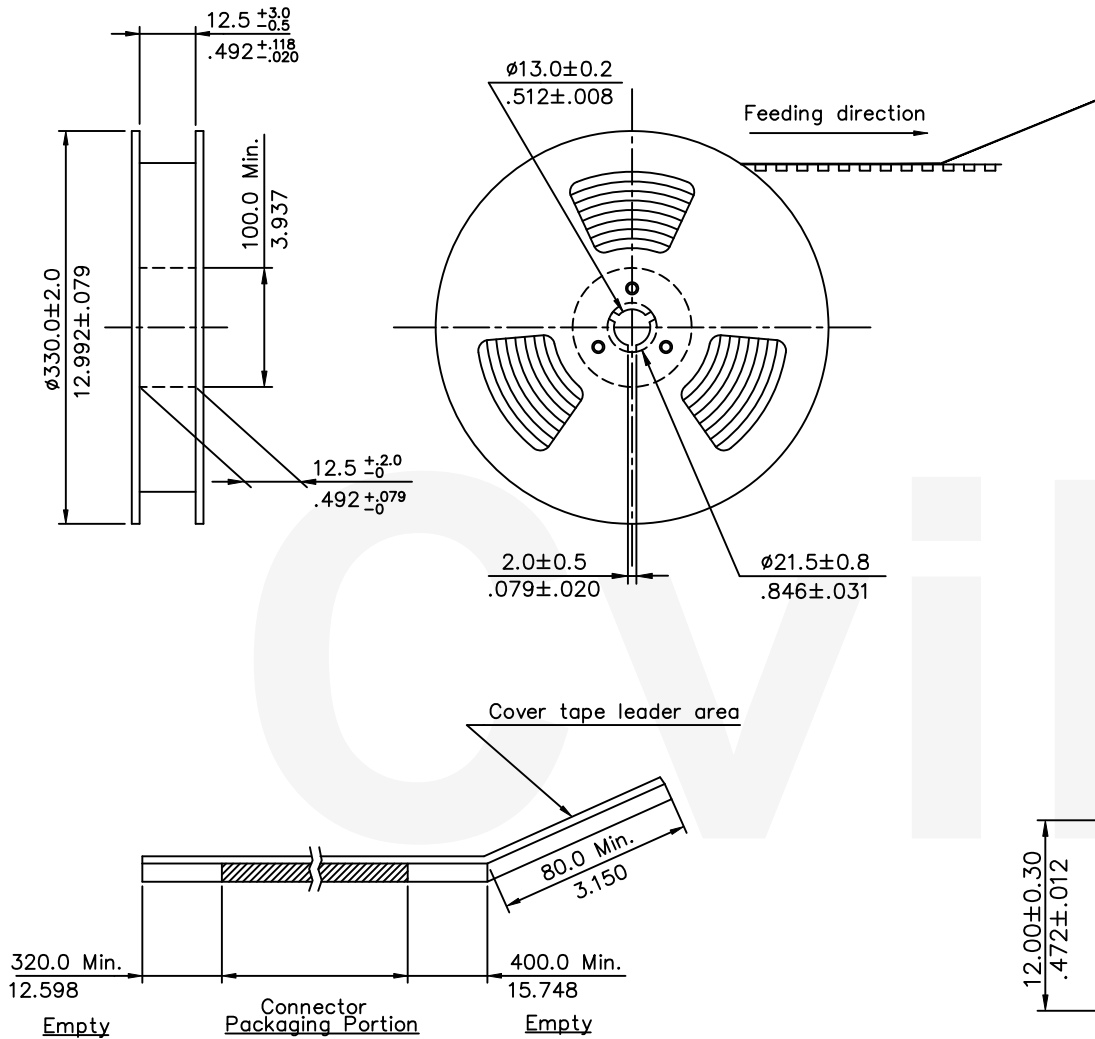


Recommended P.C. Board Layout
(TOLERANCE: ±0.05)

RoHS Compliant

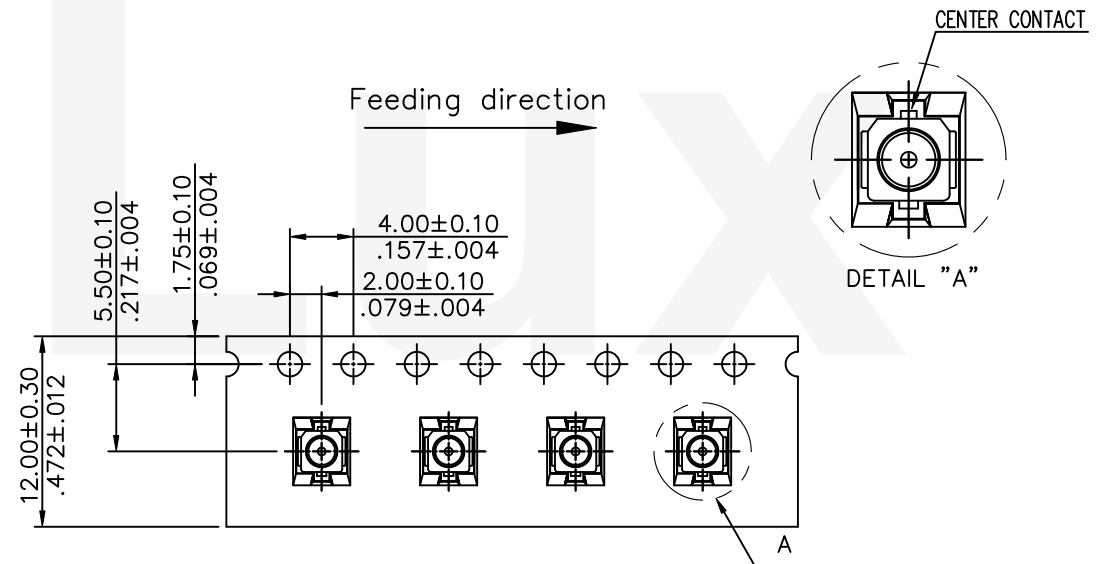
④					DATE	UNIT: mm / inch	TITLE:	 瀚荃股份有限公司 CviLux Corporation
③					DRAWN BY: Karen	6/28-21'	RF RECEPTACLE CONN. (Type I)	
②					ENGINEER: Karen	6/28-21'	MATERIAL:	
①	Karen	6/22-21'	ECNT121115/ECRT121037		CHECKED BY: David	6/28-21'	CUSTOMER:	
SYM	NAME	DATE	REVISIONS		APPROVED BY: David	6/28-21'		DRAWING NO. CRA101SA
								PART NO. CRA1S720000
								SCALE 10 / 1
								SHEET 1 OF 2

CIVILUX
 2021.07.01
 ISSUED



NOTE :

- * Reel Material : HIPS
- * Carrier Material : Clear, Conductive Polystyrene Alloy
- * Cover Tape Material : Polyester
- * Cover Tape Peel Strength : 0.1N – 1.3N
- * Carrier camber is within 1mm in 100mm
- * All dimensions meet EIA-481 requirements.
- * Quantity : 5000 PCS/Reel ; 10Reel/Carton



RoHS Compliant

4					DATE	UNIT: mm / inch	TITLE:	瀚荃股份有限公司 CviLux Corporation			
3					DRAWN BY: Karen	TOLERANCE UNLESS OTHERWISE SPECIFIED	RECEPTACLE CONNECTOR				
2					ENGINEER: Karen	X. ±0.30/.012 X.* ± 1'	MATERIAL:	DRAWING NO.	CRA101SA	PART NO.	CRA1S720000
1	Karen	6/22-21'	ECNT121115/ECRT121037		CHECKED BY: David	X ±0.15/.006 .X.* ±	FINISH:	SCALE	10 / 1	SHEET	2 OF 2
SYM	NAME	DATE	REVISIONS		APPROVED BY: David	.XX ±0.10/.004 .XX.* ±					

CVILUX
 2021.07.01
 ISSUED