

# MC60 Hardware Design

**GSM/GPRS/GNSS Module Series**

Rev. MC60\_Hardware\_Design\_V2.1

Date: 2018-12-25

Status: Released



**Our aim is to provide customers with timely and comprehensive service. For any assistance, please contact our company headquarters:**

**Quectel Wireless Solutions Co., Ltd.**

7<sup>th</sup> Floor, Hongye Building, No.1801 Hongmei Road, Xuhui District, Shanghai 200233, China

Tel: +86 21 5108 6236

Email: [info@quectel.com](mailto:info@quectel.com)

**Or our local office. For more information, please visit:**

<http://www.quectel.com/support/sales.htm>

**For technical support, or to report documentation errors, please visit:**

<http://www.quectel.com/support/technical.htm>

Or email to: [support@quectel.com](mailto:support@quectel.com)

**GENERAL NOTES**

QUECTEL OFFERS THE INFORMATION AS A SERVICE TO ITS CUSTOMERS. THE INFORMATION PROVIDED IS BASED UPON CUSTOMERS' REQUIREMENTS. QUECTEL MAKES EVERY EFFORT TO ENSURE THE QUALITY OF THE INFORMATION IT MAKES AVAILABLE. QUECTEL DOES NOT MAKE ANY WARRANTY AS TO THE INFORMATION CONTAINED HEREIN, AND DOES NOT ACCEPT ANY LIABILITY FOR ANY INJURY, LOSS OR DAMAGE OF ANY KIND INCURRED BY USE OF OR RELIANCE UPON THE INFORMATION. ALL INFORMATION SUPPLIED HEREIN IS SUBJECT TO CHANGE WITHOUT PRIOR NOTICE.

**COPYRIGHT**

THE INFORMATION CONTAINED HERE IS PROPRIETARY TECHNICAL INFORMATION OF QUECTEL WIRELESS SOLUTIONS CO., LTD. TRANSMITTING, REPRODUCTION, DISSEMINATION AND EDITING OF THIS DOCUMENT AS WELL AS UTILIZATION OF THE CONTENT ARE FORBIDDEN WITHOUT PERMISSION. OFFENDERS WILL BE HELD LIABLE FOR PAYMENT OF DAMAGES. ALL RIGHTS ARE RESERVED IN THE EVENT OF A PATENT GRANT OR REGISTRATION OF A UTILITY MODEL OR DESIGN.

***Copyright © Quectel Wireless Solutions Co., Ltd. 2018. All rights reserved.***

# About the Document

## History

| Revision | Date       | Author                   | Description   |
|----------|------------|--------------------------|---|
| 1.0      | 2016-07-05 | Tiger CHENG              | Initial   |
| 1.1      | 2016-08-02 | Tiger CHENG              | <ol style="list-style-type: none"> <li>1. Added the description of QuectelFastFix Online function (Chapter 3.15)</li> <li>2. Added the description of 1PPS function (Chapter 3.17)</li> <li>3. Updated Figure 27 (recommend using a switch for connection between Auxiliary and GNSS UART ports in Stand-alone solution)</li> </ol>   |
| 1.2      | 2016-8-17  | Tiger CHENG              | Optimized the ESD performance parameter in Table 38   |
| 1.3      | 2016-09-19 | Tiger CHENG              | <ol style="list-style-type: none"> <li>1. Added the description of Periodic Mode (Chapter 3.4.2.4)</li> <li>2. Added the description of AlwaysLocate™ mode (Chapter 3.4.2.5)</li> <li>3. Added the description of GLP Mode (Chapter 3.4.2.6)</li> <li>4. Added the description of PCM interface (Chapter 3.9)</li> <li>5. Added the description of LOCUS (Chapter 3.18)</li> <li>6. Added the current consumption data of BT function (Table 44)</li> </ol> |
| 2.0      | 2017-05-15 | Tiger CHENG              | <ol style="list-style-type: none"> <li>1. Added the description of SD card interface (Chapter 3.13)</li> <li>2. Modified the description of Standby mode in operating modes of GNSS part (Chapter 3.6.2.2)</li> <li>3. Updated the operating modes of GNSS part in All-in-one solution (Table 13)</li> <li>4. Added BLE function description of MC60E module (Chapter 3.6.5)</li> </ol>   |
| 2.1      | 2018-12-25 | Tiger CHENG/<br>Kane ZHU | <ol style="list-style-type: none"> <li>1. Added information of Galileo (Chapter 2.1, 3.6.2.1 and Table 3)</li> </ol>  |

2. Updated supported Internet service protocols (Table 1)
  3. Updated sensitivity (GPS+GLONASS) (Table 2)
  4. Updated frequency range of GSM antenna requirements (Table 34)
  5. Updated RF receiving sensitivity (Table 36)
  6. Updated recommended GNSS antenna specifications (Table 38)
  7. Updated power consumption (Chapter 5.4)
-

## Contents

|  |           |
|--|-----------|
| <b>About the Document</b> .....  | <b>2</b>  |
| <b>Contents</b> .....  | <b>4</b>  |
| <b>Table Index</b> .....   | <b>7</b>  |
| <b>Figure Index</b> .....  | <b>9</b>  |
| <b>1 Introduction</b> .....  | <b>11</b> |
| 1.1. Safety Information.....   | 11        |
| <b>2 Product Concept</b> .....   | <b>13</b> |
| 2.1. General Description.....  | 13        |
| 2.2. Key Features.....   | 14        |
| 2.3. Functional Diagram.....   | 17        |
| 2.4. Evaluation Board.....   | 18        |
| <b>3 Application Interfaces</b> .....  | <b>19</b> |
| 3.1. General Description.....  | 19        |
| 3.2. Pin Assignment.....   | 20        |
| 3.3. Pin Description.....  | 21        |
| 3.4. Application Mode Introduction.....  | 27        |
| 3.5. Power Supply.....   | 29        |
| 3.5.1. Power Features.....   | 29        |
| 3.5.1.1. Power Features of GSM Part.....   | 29        |
| 3.5.1.2. Power Features of GNSS Part.....  | 29        |
| 3.5.2. Decrease Supply Voltage Drop.....   | 29        |
| 3.5.2.1. Decrease Supply Voltage Drop for GSM Part.....                              | 29        |
| 3.5.2.2. Decrease Supply Voltage Drop for GNSS Part.....                             | 30        |
| 3.5.3. Reference Design for Power Supply.....  | 31        |
| 3.5.3.1. Reference Design for Power Supply of GSM Part.....                          | 31        |
| 3.5.3.2. Reference Design for Power Supply of GNSS Part in All-in-one Solution.....  | 32        |
| 3.5.3.3. Reference Design for Power Supply of GNSS Part in Stand-alone Solution..... | 33        |
| 3.5.4. Monitor Power Supply.....   | 34        |
| 3.5.5. Backup Domain of GNSS.....  | 34        |
| 3.5.5.1. Use VBAT as the Backup Power Source of GNSS.....                            | 34        |
| 3.5.5.2. Use VRTC as Backup Power of GNSS.....                                       | 34        |
| 3.6. Operating Modes.....  | 36        |
| 3.6.1. Operating Modes of GSM Part.....  | 36        |
| 3.6.1.1. Minimum Functionality Mode.....   | 37        |
| 3.6.1.2. Sleep Mode.....   | 37        |
| 3.6.1.3. Wake up GSM Part from Sleep Mode.....                                       | 38        |
| 3.6.2. Operating Modes of GNSS Part.....   | 38        |
| 3.6.2.1. Full on Mode.....   | 38        |
| 3.6.2.2. Standby Mode.....   | 39        |
| 3.6.2.3. Backup Mode.....  | 40        |
| 3.6.2.4. Periodic Mode.....  | 40        |

|          |  |    |
|----------|--|----|
| 3.6.2.5. | AlwaysLocate™ Mode.....  | 42 |
| 3.6.2.6. | GLP Mode.....  | 43 |
| 3.6.3.   | Summary of GSM and GNSS Parts' State in All-in-one Solution.....   | 44 |
| 3.6.4.   | Summary of GSM and GNSS Parts' State in Stand-alone Solution ..... | 45 |
| 3.6.5.   | BT Function .....  | 45 |
| 3.7.     | Power-on and off Scenarios in All-in-one Solution.....             | 46 |
| 3.7.1.   | Power on .....   | 46 |
| 3.7.2.   | Power-off .....  | 48 |
| 3.7.2.1. | Turn off Module Using PWRKEY Pin .....                             | 48 |
| 3.7.2.2. | Turn off Module Using AT Command .....                             | 50 |
| 3.7.2.3. | Turn off GNSS Part Alone Using AT Command .....                    | 50 |
| 3.7.2.4. | Under-voltage Automatic Shutdown .....                             | 51 |
| 3.8.     | Power-on and off Scenarios in Stand-alone Solution.....            | 51 |
| 3.8.1.   | Turn on GSM Part .....   | 51 |
| 3.8.2.   | Turn off GSM Part .....  | 52 |
| 3.8.2.1. | Turn off GSM Part Using PWRKEY Pin .....                           | 53 |
| 3.8.2.2. | Turn off GSM Part Using AT Command .....                           | 54 |
| 3.9.     | UART Interfaces .....  | 54 |
| 3.9.1.   | Main UART Port .....   | 56 |
| 3.9.1.1. | Features of Main UART Port .....                                   | 56 |
| 3.9.1.2. | The Connection of UART .....                                       | 57 |
| 3.9.1.3. | Firmware Upgrade.....  | 59 |
| 3.9.2.   | Debug UART Port .....  | 60 |
| 3.9.3.   | Auxiliary UART Port and GNSS UART Port .....                       | 60 |
| 3.9.3.1. | Connection in All-in-one Solution .....                            | 60 |
| 3.9.3.2. | Connection in Stand-alone Solution .....                           | 61 |
| 3.9.4.   | UART Application .....   | 62 |
| 3.10.    | Audio Interfaces.....  | 63 |
| 3.10.1.  | Decrease TDD Noise and Other Noises.....                           | 65 |
| 3.10.2.  | Microphone Interface Design .....                                  | 65 |
| 3.10.3.  | Speaker Interface Design.....                                      | 66 |
| 3.10.4.  | Earphone Interface Design .....                                    | 67 |
| 3.10.5.  | Loud Speaker Interface Design.....                                 | 67 |
| 3.10.6.  | Audio Characteristics .....  | 68 |
| 3.11.    | PCM Interface.....   | 68 |
| 3.11.1.  | Parameter Configuration.....                                       | 69 |
| 3.11.2.  | Timing Diagram .....   | 70 |
| 3.11.3.  | Reference Design .....   | 70 |
| 3.11.4.  | AT Command .....   | 71 |
| 3.12.    | (U)SIM Interfaces.....   | 72 |
| 3.13.    | SD Card Interface .....  | 75 |
| 3.14.    | ADC .....  | 77 |
| 3.15.    | Behaviors of RI .....  | 78 |
| 3.16.    | Network Status Indication .....                                    | 79 |

|           |  |            |
|-----------|--|------------|
| 3.17.     | EASY™ Autonomous AGPS Technology .....                         | 80         |
| 3.18.     | EPO Offline AGPS Technology.....                               | 81         |
| 3.19.     | QuecFastFix Online Technology .....                            | 81         |
| 3.20.     | Multi-tone AIC .....   | 81         |
| 3.21.     | LOCUS.....   | 82         |
| 3.22.     | PPS VS. NMEA .....   | 82         |
| <b>4</b>  | <b>Antenna Interfaces.....</b>                                 | <b>84</b>  |
| 4.1.      | GSM Antenna Interface .....                                    | 84         |
| 4.1.1.    | Reference Design .....   | 84         |
| 4.1.2.    | RF Output Power .....  | 85         |
| 4.1.3.    | RF Receiving Sensitivity .....                                 | 86         |
| 4.1.4.    | Operating Frequencies.....                                     | 86         |
| 4.1.5.    | RF Cable Soldering.....  | 87         |
| 4.2.      | GNSS Antenna Interface .....                                   | 87         |
| 4.2.1.    | Antenna Specifications.....                                    | 87         |
| 4.2.2.    | Active Antenna .....   | 88         |
| 4.2.3.    | Passive Antenna .....  | 89         |
| 4.3.      | Bluetooth Antenna Interface .....                              | 89         |
| <b>5</b>  | <b>Electrical, Reliability and Radio Characteristics .....</b> | <b>91</b>  |
| 5.1.      | Absolute Maximum Ratings.....                                  | 91         |
| 5.2.      | Operation and Storage Temperatures .....                       | 92         |
| 5.3.      | Power Supply Ratings .....                                     | 92         |
| 5.4.      | Current Consumption .....                                      | 94         |
| 5.5.      | Electrostatic Discharge.....                                   | 97         |
| <b>6</b>  | <b>Mechanical Dimensions .....</b>                             | <b>98</b>  |
| 6.1.      | Mechanical Dimensions of Module.....                           | 98         |
| 6.2.      | Recommended Footprint .....                                    | 100        |
| 6.3.      | Top and Bottom Views of the Module.....                        | 101        |
| <b>7</b>  | <b>Storage, Manufacturing and Packaging .....</b>              | <b>102</b> |
| 7.1.      | Storage.....   | 102        |
| 7.2.      | Manufacturing and Soldering .....                              | 103        |
| 7.3.      | Packaging.....   | 104        |
| <b>8</b>  | <b>Appendix A References.....</b>                              | <b>107</b> |
| <b>9</b>  | <b>Appendix B GPRS Coding Schemes .....</b>                    | <b>114</b> |
| <b>10</b> | <b>Appendix C GPRS Multi-slot Classes.....</b>                 | <b>116</b> |

## Table Index

|  |    |
|--|----|
| TABLE 1: KEY FEATURES (GMS/GPRS PART OF MC60).....                               | 14 |
| TABLE 2: CODING SCHEMES AND MAXIMUM NET DATA RATES OVER AIR INTERFACE .....      | 16 |
| TABLE 3: KEY FEATURES (GNSS PART OF MC60).....                                   | 16 |
| TABLE 4: PROTOCOLS SUPPORTED BY THE MODULE .....                                 | 17 |
| TABLE 5: I/O PARAMETERS DEFINITION.....  | 21 |
| TABLE 6: PIN DESCRIPTION .....   | 21 |
| TABLE 7: MULTIPLEXED FUNCTIONS.....  | 27 |
| TABLE 8: COMPARISON BETWEEN ALL-IN-ONE AND STAND-ALONE SOLUTION.....             | 28 |
| TABLE 9: OPERATING MODES OVERVIEW OF GSM PART .....                              | 36 |
| TABLE 10: DEFAULT CONFIGURATION OF FULL ON MODE (GNSS PART) .....                | 38 |
| TABLE 11: FORMAT OF THE PMTK COMMAND ENABLING PERIODIC MODE .....                | 40 |
| TABLE 12: AVERAGE CURRENT CONSUMPTION IN GLP MODE AND NORMAL MODE .....          | 44 |
| TABLE 13: COMBINATION STATES OF GSM AND GNSS PARTS IN ALL-IN-ONE SOLUTION.....   | 44 |
| TABLE 14: COMBINATION STATES OF GSM AND GNSS PARTS IN STAND-ALONE SOLUTION ..... | 45 |
| TABLE 15: LOGIC LEVELS OF UART INTERFACES .....                                  | 55 |
| TABLE 16: PIN DEFINITION OF UART INTERFACES.....                                 | 55 |
| TABLE 17: PIN DEFINITION OF AUDIO INTERFACES .....                               | 63 |
| TABLE 18: AOUT2 OUTPUT CHARACTERISTICS.....                                      | 64 |
| TABLE 19: TYPICAL ELECTRET MICROPHONE CHARACTERISTICS.....                       | 68 |
| TABLE 20: TYPICAL SPEAKER CHARACTERISTICS .....                                  | 68 |
| TABLE 21: PIN DEFINITION OF PCM INTERFACE.....                                   | 69 |
| TABLE 22: PCM PARAMETER CONFIGURATION .....                                      | 69 |
| TABLE 23: AT+QPCMON COMMAND PARAMETER CONFIGURATION.....                         | 71 |
| TABLE 24: AT+QPCMVOL COMMAND PARAMETER CONFIGURATION.....                        | 72 |
| TABLE 25: PIN DEFINITION OF (U)SIM INTERFACES.....                               | 72 |
| TABLE 26: PIN DEFINITION OF SD CARD INTERFACE .....                              | 75 |
| TABLE 27: PIN DEFINITION OF SD CARD AND T-FLASH (MICRO SD) CARD.....             | 76 |
| TABLE 28: PIN DEFINITION OF ADC INTERFACE .....                                  | 77 |
| TABLE 29: CHARACTERISTICS OF ADC .....   | 77 |
| TABLE 30: BEHAVIORS OF RI .....  | 78 |
| TABLE 31: WORKING STATE OF THE NETLIGHT.....                                     | 79 |
| TABLE 32: PIN DEFINITION OF RF_ANT .....   | 84 |
| TABLE 33: ANTENNA CABLE REQUIREMENTS.....  | 85 |
| TABLE 34: ANTENNA REQUIREMENTS.....  | 85 |
| TABLE 35: RF OUTPUT POWER .....  | 85 |
| TABLE 36: RF RECEIVING SENSITIVITY.....  | 86 |
| TABLE 37: OPERATING FREQUENCIES .....  | 86 |
| TABLE 38: RECOMMENDED ANTENNA SPECIFICATIONS.....                                | 87 |
| TABLE 39: PIN DEFINITION OF THE BT_ANT .....                                     | 89 |
| TABLE 40: ABSOLUTE MAXIMUM RATINGS .....   | 91 |
| TABLE 41: OPERATION TEMPERATURE.....   | 92 |



---

|   |     |
|---|-----|
| TABLE 42: POWER SUPPLY RATINGS OF GSM PART (GNSS IS POWERED OFF).....                 | 92  |
| TABLE 43: POWER SUPPLY RATINGS OF GNSS PART.....                                      | 93  |
| TABLE 44: CURRENT CONSUMPTION OF GSM PART (GNSS IS POWERED OFF) .....                 | 94  |
| TABLE 45: CURRENT CONSUMPTION OF GNSS PART .....                                      | 95  |
| TABLE 46: BT CURRENT CONSUMPTION OF MC60 MODULE .....                                 | 96  |
| TABLE 47: BT CURRENT CONSUMPTION OF MC60E MODULE.....                                 | 96  |
| TABLE 48: ELECTROSTATIC DISCHARGE CHARACTERISTICS (25°C, 45% RELATIVE HUMIDITY) ..... | 97  |
| TABLE 49: RECOMMENDED THERMAL PROFILE PARAMETERS .....                                | 103 |
| TABLE 50: REEL PACKAGING .....  | 106 |
| TABLE 51: RELATED DOCUMENTS.....  | 107 |
| TABLE 52: TERMS AND ABBREVIATIONS .....   | 108 |
| TABLE 53: DESCRIPTION OF DIFFERENT CODING SCHEMES .....                               | 114 |
| TABLE 54: GPRS MULTI-SLOT CLASSES .....   | 116 |

## Figure Index

|  |    |
|--|----|
| FIGURE 1: MODULE FUNCTIONAL DIAGRAM.....   | 18 |
| FIGURE 2: PIN ASSIGNMENT .....   | 20 |
| FIGURE 3: ALL-IN-ONE SOLUTION SCHEMATIC DIAGRAM.....   | 27 |
| FIGURE 4: STAND-ALONE SOLUTION SCHEMATIC DIAGRAM .....                                       | 28 |
| FIGURE 5: VOLTAGE RIPPLE DURING TRANSMITTING (GSM PART) .....                                | 29 |
| FIGURE 6: REFERENCE CIRCUIT FOR VBAT INPUT (GSM PART).....                                   | 30 |
| FIGURE 7: REFERENCE CIRCUIT FOR GNSS_VCC INPUT.....  | 31 |
| FIGURE 8: REFERENCE CIRCUIT FOR POWER SUPPLY OF THE GSM PART .....                           | 32 |
| FIGURE 9: REFERENCE CIRCUIT DESIGN FOR GNSS PART IN ALL-IN-ONE SOLUTION.....                 | 33 |
| FIGURE 10: REFERENCE CIRCUIT DESIGN FOR GNSS PART IN STAND-ALONE SOLUTION .....              | 33 |
| FIGURE 11: INTERNAL GNSS'S BACKUP DOMAIN POWER CONSTRUCTION.....                             | 34 |
| FIGURE 12: VRTC IS POWERED BY A RECHARGEABLE BATTERY .....                                   | 35 |
| FIGURE 13: VRTC IS POWERED BY A CAPACITOR.....   | 35 |
| FIGURE 14: OPERATION MECHANISM OF PERIODIC MODE.....   | 42 |
| FIGURE 15: POWER CONSUMPTION IN DIFFERENT SCENARIOS (ALWAYSLOCATE™ MODE).....                | 43 |
| FIGURE 16: TURN ON THE MODULE THROUGH AN OPEN-COLLECTOR DRIVER.....                          | 46 |
| FIGURE 17: TURN ON THE MODULE THROUGH A BUTTON.....  | 47 |
| FIGURE 18: POWER-ON SCENARIO .....   | 48 |
| FIGURE 19: POWER-OFF SCENARIO BY USING PWRKEY PIN .....                                      | 49 |
| FIGURE 20: POWER-OFF SCENARIO OF GNSS PART BY USING AT COMMAND .....                         | 50 |
| FIGURE 21: POWER-ON SCENARIO OF GSM PART .....   | 52 |
| FIGURE 22: POWER-OFF SCENARIO OF GSM PART BY USING PWRKEY PIN.....                           | 53 |
| FIGURE 23: REFERENCE DESIGN FOR FULL-FUNCTION UART .....                                     | 58 |
| FIGURE 24: REFERENCE DESIGN FOR MAIN UART PORT (THREE-WIRE CONNECTION).....                  | 58 |
| FIGURE 25: REFERENCE DESIGN FOR UART PORT WITH HARDWARE FLOW CONTROL .....                   | 59 |
| FIGURE 26: REFERENCE DESIGN FOR FIRMWARE UPGRADE VIA MAIN UART PORT .....                    | 59 |
| FIGURE 27: REFERENCE DESIGN FOR DEBUG PORT .....   | 60 |
| FIGURE 28: AUXILIARY AND GNSS UART PORT CONNECTION IN ALL-IN-ONE SOLUTION.....               | 61 |
| FIGURE 29: AUXILIARY AND GNSS UART PORT CONNECTION IN STAND-ALONE SOLUTION .....             | 62 |
| FIGURE 30: LEVEL MATCH DESIGN FOR 3.3V SYSTEM.....   | 62 |
| FIGURE 31: SKETCH MAP FOR RS-232 INTERFACE MATCH.....  | 63 |
| FIGURE 32: REFERENCE DESIGN FOR MICROPHONE .....   | 65 |
| FIGURE 33: REFERENCE DESIGN FOR SPEAKER .....  | 66 |
| FIGURE 34: REFERENCE DESIGN FOR SPEAKER WITH AN AMPLIFIER .....                              | 66 |
| FIGURE 35: REFERENCE DESIGN FOR EARPHONE .....   | 67 |
| FIGURE 36: REFERENCE DESIGN FOR LOUD SPEAKER .....   | 67 |
| FIGURE 37: TIMING DIAGRAM FOR LONG FRAME SYNCHRONIZATION .....                               | 70 |
| FIGURE 38: TIMING DIAGRAM FOR SHORT FRAME SYNCHRONIZATION .....                              | 70 |
| FIGURE 39: REFERENCE DESIGN FOR PCM .....  | 71 |
| FIGURE 40: REFERENCE CIRCUIT FOR (U)SIM1 INTERFACE WITH AN 8-PIN (U)SIM CARD CONNECTOR ..... | 73 |

|   |     |
|---|-----|
| FIGURE 41: REFERENCE CIRCUIT FOR (U)SIM1 INTERFACE WITH A 6-PIN (U)SIM CARD CONNECTOR ..... | 74  |
| FIGURE 42: REFERENCE CIRCUIT FOR (U)SIM2 INTERFACE WITH A 6-PIN (U)SIM CARD CONNECTOR ..... | 74  |
| FIGURE 43: REFERENCE CIRCUIT FOR SD CARD INTERFACE .....                                    | 76  |
| FIGURE 44: RI BEHAVIOR AS A RECEIVER WHEN VOICE CALLING .....                               | 78  |
| FIGURE 45: RI BEHAVIOR AS A CALLER .....  | 79  |
| FIGURE 46: RI BEHAVIOR WHEN URC OR SMS RECEIVED .....                                       | 79  |
| FIGURE 47: REFERENCE DESIGN FOR NETLIGHT .....  | 80  |
| FIGURE 48: PPS VS. NMEA TIMING .....  | 83  |
| FIGURE 49: REFERENCE DESIGN FOR GSM ANTENNA .....   | 84  |
| FIGURE 50: RF CABLE SOLDERING SAMPLE .....  | 87  |
| FIGURE 51: REFERENCE DESIGN WITH ACTIVE ANTENNA .....                                       | 88  |
| FIGURE 52: REFERENCE DESIGN WITH PASSIVE ANTENNA .....                                      | 89  |
| FIGURE 53: REFERENCE DESIGN FOR BLUETOOTH ANTENNA .....                                     | 90  |
| FIGURE 54: MC60 TOP AND SIDE DIMENSIONS (UNIT: MM) .....                                    | 98  |
| FIGURE 55: MC60 BOTTOM DIMENSIONS (UNIT: MM) .....  | 99  |
| FIGURE 56: RECOMMENDED FOOTPRINT (UNIT: MM) .....   | 100 |
| FIGURE 57: TOP VIEW OF THE MODULE .....   | 101 |
| FIGURE 58: BOTTOM VIEWS OF THE MODULE .....   | 101 |
| FIGURE 59: REFLOW SOLDERING THERMAL PROFILE .....   | 103 |
| FIGURE 60: TAPE DIMENSIONS .....  | 105 |
| FIGURE 61: REEL DIMENSIONS .....  | 105 |
| FIGURE 62: RADIO BLOCK STRUCTURE OF CS-1, CS-2 AND CS-3 .....                               | 114 |
| FIGURE 63: RADIO BLOCK STRUCTURE OF CS-4 .....  | 115 |

# 1 Introduction

This document defines the MC60 module and describes its air interface and hardware interfaces which are connected with customers' applications.

This document can help customers quickly understand MC60 module interface specifications, electrical and mechanical details, as well as other related information of the module. Associated with application notes and user guides, customers can use MC60 to design and set up mobile applications easily.

MC60 module currently includes the following two variants:

- OC: MC60CA-04-STD (Support BT3.0)
- OC: MC60ECA-04-BLE (Support BT3.0&BT4.0)

## 1.1. Safety Information

The following safety precautions must be observed during all phases of operation, such as usage, service or repair of any cellular terminal or mobile incorporating MC60 module. Manufacturers of the cellular terminal should send the following safety information to users and operating personnel, and incorporate these guidelines into all manuals supplied with the product. If not so, Quectel assumes no liability for customers' failure to comply with these precautions.



Full attention must be given to driving at all times in order to reduce the risk of an accident. Using a mobile while driving (even with a handsfree kit) causes distraction and can lead to an accident. Please comply with laws and regulations restricting the use of wireless devices while driving.



Switch off the cellular terminal or mobile before boarding an aircraft. The operation of wireless appliances in an aircraft is forbidden to prevent interference with communication systems. If the device offers an Airplane Mode, then it should be enabled prior to boarding an aircraft. Please consult the airline staff for more restrictions on the use of wireless devices on boarding the aircraft.



Wireless devices may cause interference on sensitive medical equipment, so please be aware of the restrictions on the use of wireless devices when in hospitals, clinics or other healthcare facilities.



Cellular terminals or mobiles operating over radio signals and cellular network cannot be guaranteed to connect in all possible conditions (for example, with unpaid bills or with an invalid (U)SIM card). When emergent help is needed in such conditions, please remember using emergency call. In order to make or receive a call, the cellular terminal or mobile must be switched on in a service area with adequate cellular signal strength.

---



The cellular terminal or mobile contains a transmitter and receiver. When it is ON, it receives and transmits radio frequency signals. RF interference can occur if it is used close to TV set, radio, computer or other electric equipment.

---



In locations with potentially explosive atmospheres, obey all posted signs to turn off wireless devices such as your phone or other cellular terminals. Areas with potentially explosive atmospheres include fuelling areas, below decks on boats, fuel or chemical transfer or storage facilities, areas where the air contains chemicals or particles such as grain, dust or metal powders, etc.

---

# 2 Product Concept

## 2.1. General Description

MC60 is a multi-purpose module which integrates a high performance GNSS engine and a quad-band GSM/GPRS engine. It can work as **All-in-one** solution or **Stand-alone** solution according to customers' application demands. For detailed introduction on **All-in-one** solution and **Stand-alone** solution, please refer to **Chapter 3.4**.

The quad-band GSM/GPRS engine can work at frequencies of GSM850MHz, EGSM900MHz, DCS1800MHz and PCS1900MHz. MC60 features GPRS multi-slot class 12 and supports the GPRS coding schemes CS-1, CS-2, CS-3 and CS-4. For more details about GPRS multi-slot classes and coding schemes, please refer to **Appendix B & C**.

The GNSS engine is a single receiver integrating GPS and GLONASS systems. It supports multiple positioning and navigation systems including autonomous GPS, GLONASS, Galileo, SBAS (including WAAS, EGNOS, MSAS and GAGAN), and QZSS. It is able to achieve the industry's highest level of sensitivity, accuracy and TTFF with the lowest power consumption. The embedded flash memory provides capacity for storing user-specific configurations and allows for future updates.

MC60 is an SMD type module with 54 LCC pads and 14 LGA pads which can be easily embedded into applications. With a compact profile of 18.7mm × 16.0mm × 2.1mm, the module can meet almost all the requirements for M2M applications, including vehicle and personal tracking, wearable devices, security systems, wireless POS, industrial PDA, smart metering, remote maintenance & control, etc.

Designed with power saving technique, the current consumption of MC60's GSM part is as low as 1.2mA in Sleep mode when DRX is 5 and the GNSS part is powered off. The GNSS engine also has many advanced power saving modes including standby and backup modes which can fit the requirement of low-power consumption in different scenes.

GSM part of MC60 is integrated with Internet service protocols such as TCP, UDP, PPP, HTTP and FTP. Extended AT commands have been developed for customers to use these Internet service protocols easily.

EASY™ technology, as a key feature of GNSS part of MC60, is one kind of AGPS. Capable of collecting and processing all internal aiding information like GNSS time, ephemeris, last position, etc., the GNSS part will have a fast TTFF in either hot or warm start.

The module fully complies with the RoHS directive of the European Union.

## 2.2. Key Features

The following table describes the detailed features of MC60.

**Table 1: Key Features (GMS/GPRS Part of MC60)**

| Features          | Implementation   |
|-------------------|--|
| Power Supply      | Single supply voltage: 3.3V~4.6V<br>Typical supply voltage: 4.0V   |
| Power Saving      | Typical power consumption in Sleep mode (GNSS is powered off):<br>1.2mA @DRX=5<br>0.8mA @DRX=9   |
| Frequency Bands   | <ul style="list-style-type: none"> <li>● Quad-band: GSM850, EGSM900, DCS1800, PCS1900</li> <li>● The module can search these frequency bands automatically.</li> <li>● The frequency bands can be set by AT commands.</li> <li>● Compliant to GSM Phase 2/2+</li> </ul>  |
| GSM Power Class   | <ul style="list-style-type: none"> <li>● Class 4 (2W) at GSM850 and EGSM900</li> <li>● Class 1 (1W) at DCS1800 and PCS1900</li> </ul>  |
| GPRS Connectivity | <ul style="list-style-type: none"> <li>● GPRS multi-slot class 12 (default)</li> <li>● GPRS multi-slot class 1~12 (configurable)</li> <li>● GPRS mobile station class B</li> </ul>   |
| DATA GPRS         | <ul style="list-style-type: none"> <li>● GPRS data downlink transfer: max 85.6kbps</li> <li>● GPRS data uplink transfer: max 85.6kbps</li> <li>● Coding scheme: CS-1, CS-2, CS-3 and CS-4</li> <li>● Support the protocol PAP (Password Authentication Protocol) usually used for PPP connection</li> <li>● Internet service protocols TCP/UDP/FTP/PPP/HTTP/NTP/PING/MQTT, etc.</li> <li>● Support Packet Broadcast Control Channel (PBCCH)</li> <li>● Support Unstructured Supplementary Service Data (USSD)</li> </ul> |
| Temperature Range | <ul style="list-style-type: none"> <li>● Operation temperature range: -35°C ~ +75°C <sup>1)</sup></li> <li>● Extended temperature range: -40°C ~ +85°C <sup>2)</sup></li> <li>● Storage temperature range: -40°C ~ +90°C</li> </ul>  |
| (U)SIM Interfaces | <ul style="list-style-type: none"> <li>● Support (U)SIM: 1.8V, 3.0V</li> <li>● Support DSSS (Dual SIM Single Standby)</li> </ul>   |
| SMS               | <ul style="list-style-type: none"> <li>● Text and PDU mode</li> <li>● SMS storage: (U)SIM card</li> </ul>  |

|                          |  |
|--------------------------|--|
| Audio Features           | <p>Speech codec modes:</p> <ul style="list-style-type: none"> <li>● Half Rate (ETS 06.20)</li> <li>● Full Rate (ETS 06.10)</li> <li>● Enhanced Full Rate (ETS 06.50/06.60/06.80)</li> <li>● Adaptive Multi-Rate (AMR)</li> <li>● Echo Suppression</li> <li>● Noise Reduction</li> <li>● Embedded one amplifier of class AB with maximum driving power up to 800mW</li> </ul>   |
| UART Interfaces          | <p>Main UART port:</p> <ul style="list-style-type: none"> <li>● Seven lines on main UART port interface</li> <li>● Used for AT command communication and GPRS data transmission</li> <li>● Used for PMTK command and NMEA output in <b>All-in-one</b> solution</li> <li>● Multiplexing function</li> <li>● Support autobauding from 4800bps to 115200bps</li> </ul> <p>Debug UART port:</p> <ul style="list-style-type: none"> <li>● Two lines on debug port interface DBG_TXD and DBG_RXD</li> <li>● Debug port only used for firmware debugging</li> </ul> <p>Auxiliary UART port:</p> <ul style="list-style-type: none"> <li>● Two lines on auxiliary port interface: TXD_AUX and RXD_AUX</li> <li>● Used for communication with the GNSS part in <b>All-in-one</b> solution</li> </ul> |
| Phonebook Management     | Support phonebook types: SM, ME, ON, MC, RC, DC, LD, LA  |
| SIM Application Toolkit  | Support SAT class 3, GSM 11.14 Release 99  |
| Physical Characteristics | <p>Size: (18.7±0.15)mm × (16±0.15)mm × (2.1±0.2)mm</p> <p>Package: LCC+LGA</p> <p>Weight: Approx. 1.3g</p>   |
| Firmware Upgrade         | Firmware upgrade via main UART port  |
| Antenna Interfaces       | <ul style="list-style-type: none"> <li>● GSM antenna interface and GNSS antenna interface</li> <li>● Antenna impedance: 50Ω</li> </ul>   |

## NOTES

- 1) Within operation temperature range, the module is 3GPP compliant.
- 2) Within extended temperature range, the module remains the ability to establish and maintain a voice, SMS, data transmission, emergency call, etc. There is no unrecoverable malfunction. There are also no effects on radio spectrum and no harm to radio network. Only one or more parameters like  $P_{out}$  might reduce in their value and exceed the specified tolerances. When the temperature returns to normal operation temperature levels, the module will meet 3GPP specifications again.



**Table 2: Coding Schemes and Maximum Net Data Rates over Air Interface**

| Coding Scheme | 1 Timeslot | 2 Timeslot | 4 Timeslot |
|---------------|------------|------------|------------|
| CS-1          | 9.05kbps   | 18.1kbps   | 36.2kbps   |
| CS-2          | 13.4kbps   | 26.8kbps   | 53.6kbps   |
| CS-3          | 15.6kbps   | 31.2kbps   | 62.4kbps   |
| CS-4          | 21.4kbps   | 42.8kbps   | 85.6kbps   |

**Table 3: Key Features (GNSS Part of MC60)**

| Features  | Implementation  |
|---|---|
| GNSS  | <ul style="list-style-type: none"> <li>● GPS+GLONASS</li> </ul>   |
| Power Supply  | <ul style="list-style-type: none"> <li>● Supply voltage: 2.8V~4.3V</li> <li>● Typical Supply voltage: 3.3V</li> </ul>   |
| Power Consumption                                   | <ul style="list-style-type: none"> <li>● Acquisition: 25mA @-130dBm (GPS)</li> <li>● Tracking: 19mA @-130dBm (GPS)</li> <li>● Acquisition: 29mA @-130dBm (GPS+GLONASS)</li> <li>● Tracking: 22mA @-130dBm (GPS+GLONASS)</li> <li>● Standby: 300uA @VCC=3.3V</li> <li>● Backup: 14uA @V_BCKP=3.3V</li> </ul> |
| Receiver Type                                       | <ul style="list-style-type: none"> <li>● GPS L1 1575.42MHz C/A Code</li> <li>● GLONASS L1 1598.0625~1605.375MHz C/A Code</li> <li>● Galileo E1 1575.42MHz C/A Code</li> </ul>   |
| Sensitivity<br>(GPS+GLONASS)                        | <ul style="list-style-type: none"> <li>● Acquisition: -148dBm</li> <li>● Reacquisition: -160dBm</li> <li>● Tracking: -165dBm</li> </ul>   |
| Time-to-First-Fix<br>( EASY™ Enabled) <sup>1)</sup> | <ul style="list-style-type: none"> <li>● Cold Start: &lt;15s average @-130dBm</li> <li>● Warm Start: &lt;5s average @-130dBm</li> <li>● Hot Start: 1s @-130dBm</li> </ul>   |
| Time-to-First-Fix<br>(EASY™ Disabled)               | <ul style="list-style-type: none"> <li>● Cold Start (Autonomous): &lt;35s average @-130dBm</li> <li>● Warm Start (Autonomous): &lt;30s average @-130dBm</li> <li>● Hot Start (Autonomous): 1s @-130dBm</li> </ul>   |
| Horizontal Position<br>Accuracy (Autonomous)        | <ul style="list-style-type: none"> <li>● &lt;2.5m CEP @-130dBm</li> </ul>   |
| Update Rate   | <ul style="list-style-type: none"> <li>● Up to 10Hz, 1Hz by default</li> </ul>  |
| Accuracy of 1PPS Signal                             | <ul style="list-style-type: none"> <li>● Typical accuracy &lt;10ns</li> <li>● Time pulse width: 100ms</li> </ul>  |

|                       |   |
|-----------------------|---|
| Velocity Accuracy     | <ul style="list-style-type: none"> <li>● Without aid: 0.1m/s</li> </ul>   |
| Acceleration Accuracy | <ul style="list-style-type: none"> <li>● Without aid: 0.1m/s<sup>2</sup></li> </ul>   |
| Dynamic Performance   | <ul style="list-style-type: none"> <li>● Maximum Altitude: 18000m</li> <li>● Maximum Velocity: 515m/s</li> <li>● Acceleration: 4G</li> </ul>  |
| GNSS UART Port        | <ul style="list-style-type: none"> <li>● GNSS UART port: GNSS_TXD and GNSS_RXD</li> <li>● Support baud rates from 4800bps to 115200bps; 115200bps by default</li> <li>● Used for communication with the GSM Part in <b>All-in-one</b> solution</li> <li>● Used for communication with peripherals in <b>Stand-alone</b> solution</li> </ul> |

#### NOTE

<sup>1)</sup> In this mode, GNSS part's backup domain should be valid.

**Table 4: Protocols Supported by the Module**

| Protocol | Type                                   |
|----------|--|
| NMEA     | Output, ASCII, 0183, 3.01              |
| PMTK     | Input/output, MTK proprietary protocol |

#### NOTE

Please refer to **document [16]** for details of NMEA standard protocol and MTK proprietary protocol.

## 2.3. Functional Diagram

The following figure shows a block diagram of MC60 and illustrates the major functional parts.

- Radio frequency part
- Power management
- Memory
- Peripheral interfaces
  - Power supply
  - PWRKEY
  - UART interfaces

- Audio interfaces
- PCM interface
- (U)SIM interfaces
- SD card interface
- ADC interface
- RF interface
- BT interface

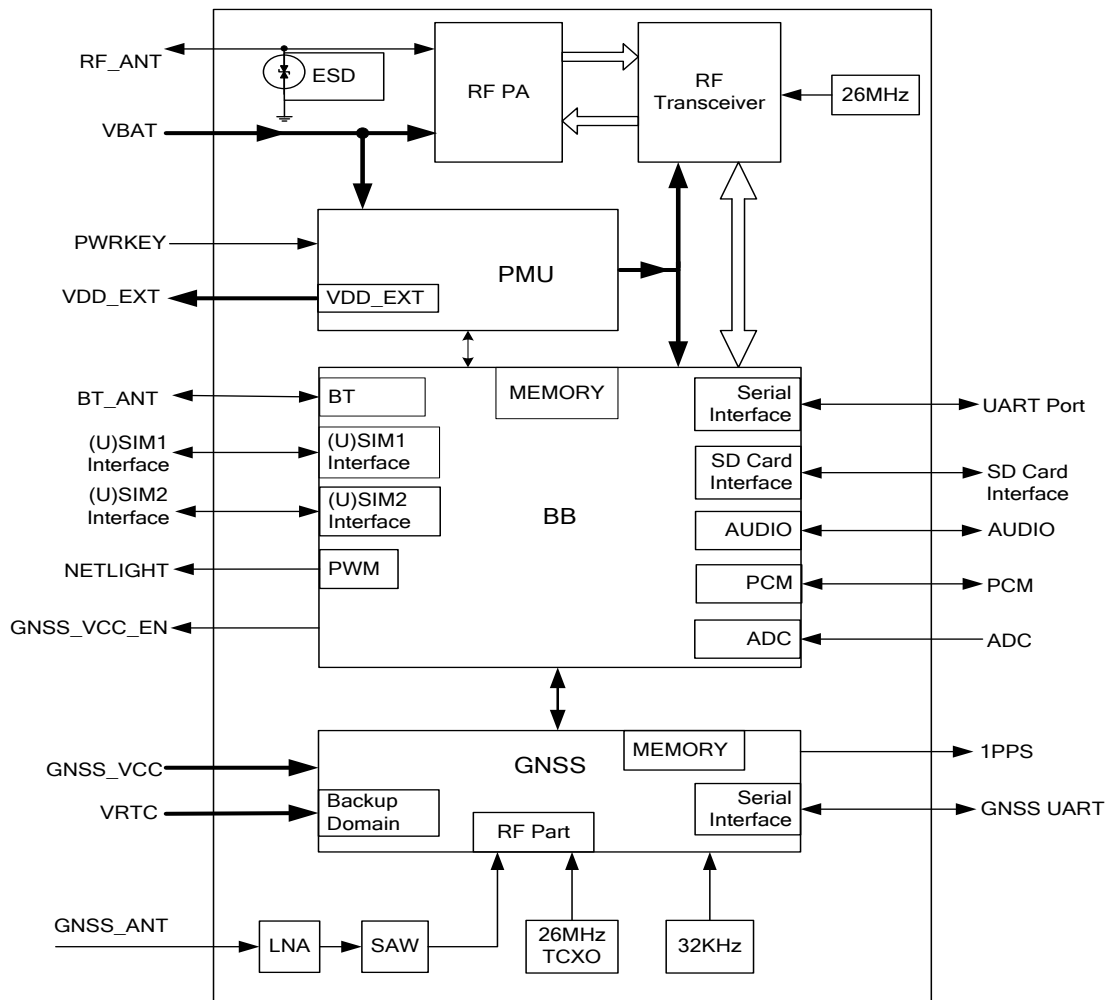


Figure 1: Module Functional Diagram

## 2.4. Evaluation Board

Quectel provides a complete set of development tools to facilitate the use and testing of MC60 module. The development tool kit includes the evaluation board (EVB), TE-A board, RS-232 to USB cable, power adapter, earphone, GSM antenna ,GNSS antenna and other peripherals to control or test the module. For details, please refer to **document [11]** and **document [17]**.

# 3 Application Interfaces

## 3.1. General Description

MC60 is an SMD type module with 54 LCC pads and 14 LGA pads. The subsequent chapters will provide detailed descriptions of the following functions/pins/interfaces:

- Power supply
- Backup domain of GNSS
- Operating modes
- Power-on/off
- Power saving
- UART interfaces
- Audio interfaces
- PCM interface
- (U)SIM interfaces
- SD card interface
- ADC interface
- Behaviors of the RI
- Network status indication
- EASY™ autonomous AGPS technology
- EPO™ offline AGPS technology
- QuecFastFix Online technology
- Multi-tone AIC
- LOCUS
- PPS VS. NMEA

### 3.2. Pin Assignment

The following figure shows the pin assignment of MC60.

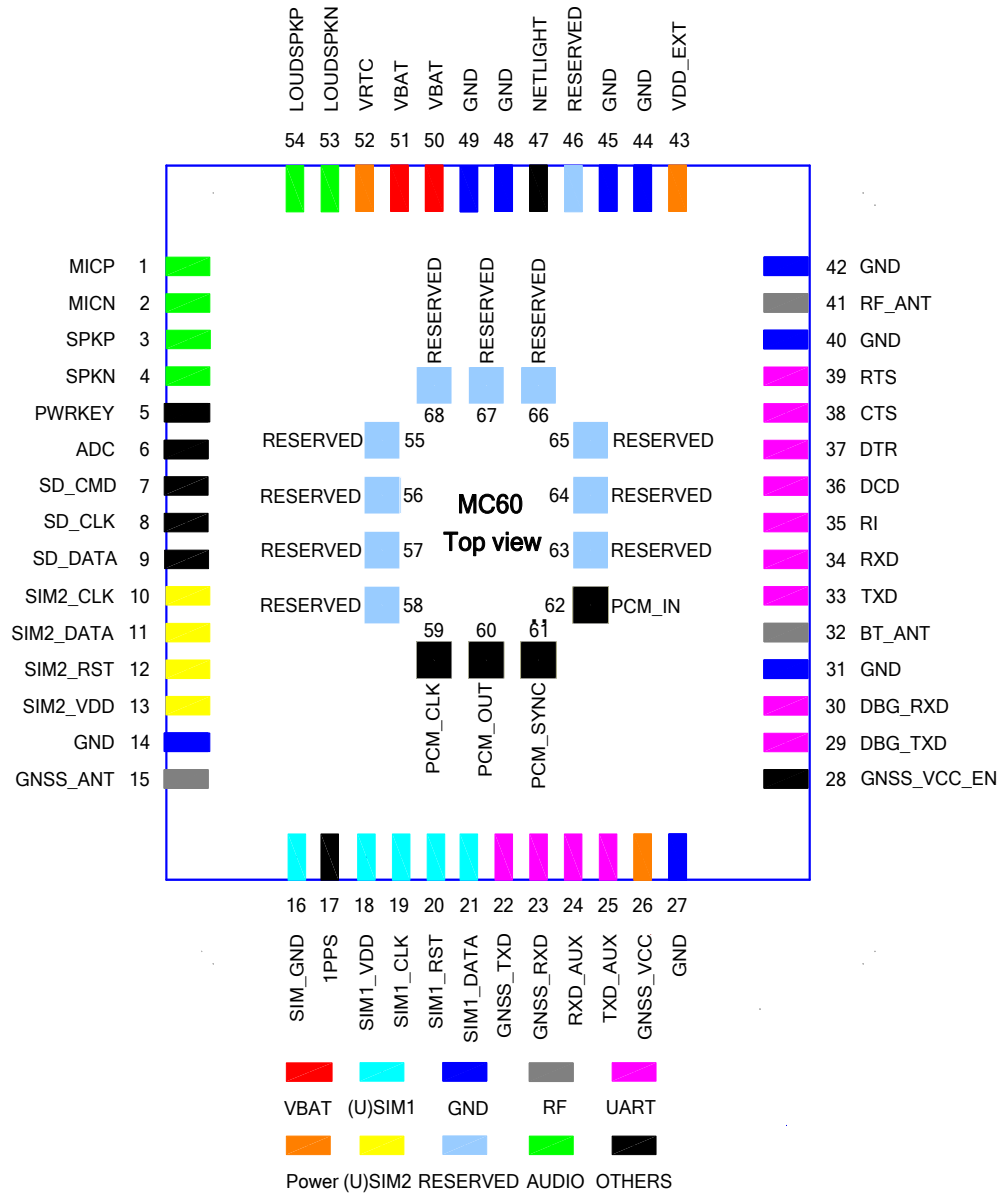


Figure 2: Pin Assignment

**NOTE**

Please keep all reserved pins open.

### 3.3. Pin Description

Table 5: I/O Parameters Definition

| Type | Description    |
|------|----------------|
| AI   | Analog input   |
| AO   | Analog output  |
| DI   | Digital input  |
| DO   | Digital output |
| IO   | Bidirectional  |
| PI   | Power input    |
| PO   | Power output   |

Table 6: Pin Description

| Power Supply |         |     |   |   |   |
|--------------|---------|-----|---|---|---|
| Pin Name     | Pin No. | I/O | Description   | DC Characteristics  | Comment   |
| VBAT         | 50, 51  | PI  | Power supply of GSM/GPRS part:<br>VBAT=3.3V~4.6V  | V <sub>I</sub> max=4.6V<br>V <sub>I</sub> min=3.3V<br>V <sub>I</sub> norm=4.0V  | It must be able to provide sufficient current up to 1.6A in a transmitting burst. |
| GNSS_VCC     | 26      | PI  | Power supply of GNSS part:<br>GNSS_VCC=2.8V~4.3V  | V <sub>I</sub> max=4.3V<br>V <sub>I</sub> min=2.8V<br>V <sub>I</sub> norm=3.3V  | Assure load current no less than 150mA.   |
| VRTC         | 52      | IO  | Power supply for GNSS's backup domain.<br>Charging for backup battery or golden capacitor when the VBAT is applied. | V <sub>I</sub> max=3.3V<br>V <sub>I</sub> min=1.5V<br>V <sub>I</sub> norm=2.8V<br>V <sub>O</sub> max=2.8V<br>V <sub>O</sub> min=2.1V<br>V <sub>O</sub> norm=2.6V<br>I <sub>O</sub> max=2mA<br>I <sub>in</sub> ≈14uA | Refer to <b>Chapter 3.5.5</b>   |

|         |    |    |   |   |   |
|---------|----|----|---|---|---|
| VDD_EXT | 43 | PO | Supply 2.8V voltage for external circuit. | $V_{Omax}=2.9V$<br>$V_{Omin}=2.7V$<br>$V_{Onorm}=2.8V$<br>$I_{Omax}=20mA$ | <ol style="list-style-type: none"> <li>If unused, keep this pin open</li> <li>It is recommended to add a 2.2uF~4.7uF bypass capacitor, when using this pin for power supply.</li> </ol> |
|---------|----|----|---|---|---|

|     |  |  |        |  |  |
|-----|--|--|--------|--|--|
| GND | 14, 27,<br>31, 40,<br>42, 44,<br>45, 48,<br>49 |  | Ground |  |  |
|-----|--|--|--------|--|--|

#### PWRKEY

| Pin Name | Pin No. | I/O | Description   | DC Characteristics   | Comment |
|----------|---------|-----|---|--|---------|
| PWRKEY   | 5       | DI  | Turn-on/off key. PWRKEY should be pulled down for a moment to turn on or turn off the system. | $V_{ILmax}=0.1 \times V_{BAT}$<br>$V_{IHmin}=0.6 \times V_{BAT}$<br>$V_{IHmax}=3.1V$ |         |

#### Audio Interfaces

| Pin Name              | Pin No.  | I/O | Description                                  | DC Characteristics             | Comment   |
|-----------------------|----------|-----|--|--------------------------------|---|
| MICP,<br>MICN         | 1,<br>2  | AI  | Positive and negative voice input            |                                | If unused, keep these pins open   |
| SPKP,<br>SPKN         | 3,<br>4  | AO  | Channel 1 positive and negative voice output | Refer to <b>Chapter 3.10.6</b> | <ol style="list-style-type: none"> <li>If unused, keep these pins open</li> <li>Support both voice and ringtone output</li> </ol> |
| LOUDSPKP,<br>LOUDSPKN | 54<br>53 | AO  | Channel 2 positive and negative voice output |                                | <ol style="list-style-type: none"> <li>If unused, keep these pins open</li> <li>Integrate a Class-AB amplifier</li> </ol>         |

- internally.  
3. Support both voice and ringtone output

#### Network Status Indicator

| Pin Name | Pin No. | I/O | Description               | DC Characteristics   | Comment                       |
|----------|---------|-----|---------------------------|--|-------------------------------|
| NETLIGHT | 47      | DO  | Network status indication | $V_{OHmin} = 0.85 \times VDD\_EXT$<br>$V_{OLmax} = 0.15 \times VDD\_EXT$ | If unused, keep this pin open |

#### Main UART Port

| Pin Name | Pin No. | I/O | Description            | DC Characteristics                 | Comment   |
|----------|---------|-----|------------------------|------------------------------------|---|
| TXD      | 33      | DO  | Transmit data          | $V_{ILmin} = 0V$                   | If only TXD, RXD and GND are used for communication, it is recommended to keep all other pins open. |
| RXD      | 34      | DI  | Receive data           | $V_{ILmax} = 0.25 \times VDD\_EXT$ |   |
| DTR      | 37      | DI  | Data terminal ready    | $V_{IHmin} = 0.75 \times VDD\_EXT$ |   |
| RI       | 35      | DO  | Ring indication        | $V_{IHmax} = VDD\_EXT + 0.2$       |   |
| DCD      | 36      | DO  | Data carrier detection | $V_{OHmin} = 0.85 \times VDD\_EXT$ |   |
| CTS      | 38      | DO  | Clear to send          | $V_{OLmax} = 0.15 \times VDD\_EXT$ |   |
| RTS      | 39      | DI  | Request to send        |                                    |   |

#### Debug UART Port

| Pin Name | Pin No. | I/O | Description   | DC Characteristics   | Comment                         |
|----------|---------|-----|---------------|--|---------------------------------|
| DBG_TXD  | 29      | DO  | Transmit data | $V_{ILmin} = 0V$<br>$V_{ILmax} = 0.25 \times VDD\_EXT$<br>$V_{IHmin} = 0.75 \times VDD\_EXT$             | If unused, keep these pins open |
| DBG_RXD  | 30      | DI  | Receive data  | $V_{IHmax} = VDD\_EXT + 0.2$<br>$V_{OHmin} = 0.85 \times VDD\_EXT$<br>$V_{OLmax} = 0.15 \times VDD\_EXT$ |                                 |



**Auxiliary UART Port**

| Pin Name | Pin No. | I/O | Description   | DC Characteristics   | Comment                       |
|----------|---------|-----|---------------|--|-------------------------------|
| TXD_AUX  | 25      | DO  | Transmit data | $V_{ILmin}=0V$<br>$V_{ILmax}=0.25 \times VDD\_EXT$   | Refer to <b>Chapter 3.9.3</b> |
| RXD_AUX  | 24      | DI  | Receive data  | $V_{IHmin}=0.75 \times VDD\_EXT$<br>$V_{IHmax}=VDD\_EXT+0.2$<br>$V_{OHmin}=0.85 \times VDD\_EXT$<br>$V_{OLmax}=0.15 \times VDD\_EXT$ |                               |

**GNSS UART Port**

| Pin Name | Pin No. | I/O | Description   | DC Characteristics  | Comment                       |
|----------|---------|-----|---------------|---|-------------------------------|
| GNSS_TXD | 22      | DO  | Transmit data | $V_{OLmax}=0.42V$<br>$V_{OHmin}=2.4V$<br>$V_{OHnom}=2.8V$                     | Refer to <b>Chapter 3.9.3</b> |
| GNSS_RXD | 23      | DI  | Receive data  | $V_{ILmin}=-0.3V$<br>$V_{ILmax}=0.7V$<br>$V_{IHmin}=2.1V$<br>$V_{IHmax}=3.1V$ |                               |

**(U)SIM Interfaces**

| Pin Name                | Pin No.  | I/O | Description                  | DC Characteristics   | Comment   |
|-------------------------|----------|-----|------------------------------|--|---|
| SIM1_VDD,<br>SIM2_VDD   | 18<br>13 | PO  | Power supply for (U)SIM card | The voltage can be selected by software automatically. Either 1.8V or 3.0V.  | All signals of (U)SIM interface should be protected against ESD with a TVS diode array; Maximum trace length is 200mm from the module pad to (U)SIM card connector. |
| SIM1_CLK,<br>SIM2_CLK   | 19<br>10 | DO  | Clock signal of (U)SIM card  | $V_{OLmax}=0.15 \times SIM\_VDD$<br>$V_{OHmin}=0.85 \times SIM\_VDD$   |   |
| SIM1_DATA,<br>SIM2_DATA | 21<br>11 | IO  | Data signal of (U)SIM card   | $V_{ILmax}=0.25 \times SIM\_VDD$<br>$V_{IHmin}=0.75 \times SIM\_VDD$<br>$V_{OLmax}=0.15 \times SIM\_VDD$<br>$V_{OHmin}=0.85 \times SIM\_VDD$ |   |

|                       |          |    |                                  |  |
|-----------------------|----------|----|----------------------------------|--|
| SIM1_RST,<br>SIM2_RST | 20<br>12 | DO | Reset signal of (U)SIM card      | $V_{OLmax} = 0.15 \times SIM\_VDD$<br>$V_{OHmin} = 0.85 \times SIM\_VDD$   |
| SIM_GNDGND            | 16       |    | Specified ground for (U)SIM card |  |
| SIM1_PRESENCE         | 37       | DI | (U)SIM1 card insertion detection | $V_{ILmin} = 0V$<br>$V_{ILmax} = 0.25 \times VDD\_EXT$<br>$V_{IHmin} = 0.75 \times VDD\_EXT$<br>$V_{IHmax} = VDD\_EXT + 0.2$ |

#### ADC

| Pin Name | Pin No. | I/O | Description                                 | DC Characteristics        | Comment                       |
|----------|---------|-----|---|---------------------------|-------------------------------|
| ADC      | 6       | AI  | General purpose analog to digital converter | Voltage range: 0V to 2.8V | If unused, keep this pin open |

#### Digital Audio Interface (PCM)

| Pin Name | Pin No. | I/O | Description               | DC Characteristics   | Comment                         |
|----------|---------|-----|---------------------------|--|---------------------------------|
| PCM_CLK  | 59      | DO  | PCM clock                 | $V_{ILmin} = 0V$<br>$V_{ILmax} = 0.25 \times VDD\_EXT$                   |                                 |
| PCM_OUT  | 60      | DO  | PCM data output           | $V_{IHmin} = 0.75 \times VDD\_EXT$<br>$V_{IHmax} = VDD\_EXT + 0.2$       | If unused, keep these pins open |
| PCM_SYNC | 61      | DO  | PCM frame synchronization | $V_{OHmin} = 0.85 \times VDD\_EXT$<br>$V_{OLmax} = 0.15 \times VDD\_EXT$ |                                 |
| PCM_IN   | 62      | DI  | PCM data input            |  |                                 |

#### SD Card Interface

| Pin Name | Pin No. | I/O | Description               | DC Characteristics                                     | Comment                         |
|----------|---------|-----|---------------------------|--|---------------------------------|
| SD_CMD   | 7       | DO  | Command signal of SD card | $V_{ILmin} = 0V$<br>$V_{ILmax} = 0.25 \times VDD\_EXT$ | If unused, keep these pins open |
| SD_CLK   | 8       | DO  | Clock signal of SD card   | $V_{IHmin} = 0.75 \times VDD\_EXT$<br>$V_{IHmax} =$    |                                 |
| SD_DATA  | 9       | IO  | Data signal of SD card    |  |                                 |

VDD\_EXT+0.2  
V<sub>OHmin</sub>=  
0.85 × VDD\_EXT  
V<sub>OLmax</sub>=  
0.15 × VDD\_EXT

### Antenna Interface

| Pin Name  | Pin No. | I/O | Description       | DC Characteristics | Comment                       |
|-----------|---------|-----|-------------------|--------------------|-------------------------------|
| RF_ANTANT | 41      | IO  | GSM antenna pad   | 50Ω Impedance      |                               |
| BT_ANT    | 32      | IO  | BT antenna pad    | 50Ω Impedance      | If unused, keep this pin open |
| GNSS_ANT  | 15      | AI  | GNSS signal input | 50Ω Impedance      |                               |

### Other Interfaces

| Pin Name    | Pin No.   | I/O | Description          | DC Characteristics  | Comment  |
|-------------|---|-----|----------------------|---|--|
| GNSS_VCC_EN | 28  | DO  | GNSS power enabled   | V <sub>OHmin</sub> =<br>0.85 × VDD_EXT<br>V <sub>OLmax</sub> =<br>0.15 × VDD_EXT  | <ol style="list-style-type: none"> <li>Refer to <b>Chapter 3.5.3.2</b> in <b>All-in-one</b> solution.</li> <li>Keep this pin open in <b>Stand-alone</b> solution.</li> </ol> |
| 1PPS        | 17  | DO  | One pulse per second | V <sub>OLmax</sub> =0.42V<br>V <sub>OHmin</sub> =2.4V<br>V <sub>OHnom</sub> =2.8V | <ol style="list-style-type: none"> <li>Synchronized at rising edge, and the pulse width is 100ms.</li> <li>If unused, keep this pin open.</li> </ol>                         |
| RESERVED    | 46, 55,<br>56, 57,<br>58, 63,<br>64, 65,<br>66, 67,<br>68 |     |                      |   | Keep these pins open   |

**Table 7: Multiplexing Functions**

| Pin Name          | Pin No. | Function After Reset | Alternate Function |
|-------------------|---------|----------------------|--------------------|
| DTR/SIM1_PRESENCE | 37      | DTR                  | SIM1_PRESENCE      |

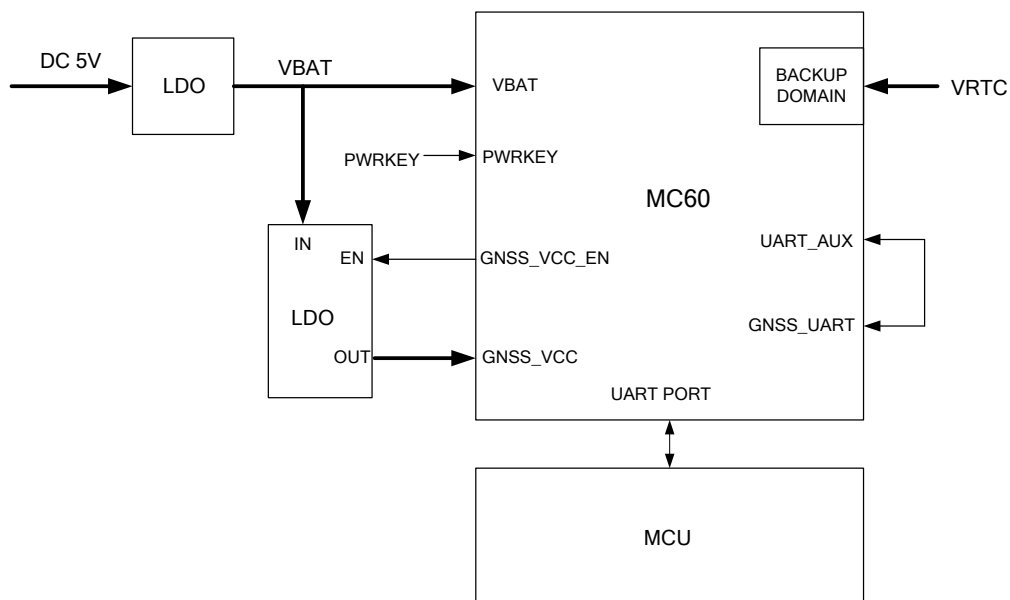
### 3.4. Application Mode Introduction

MC60 integrates both GSM and GNSS engines which can work as a whole (**All-in-one** solution) unit or work independently (**Stand-alone** solution) according to customers' demands.

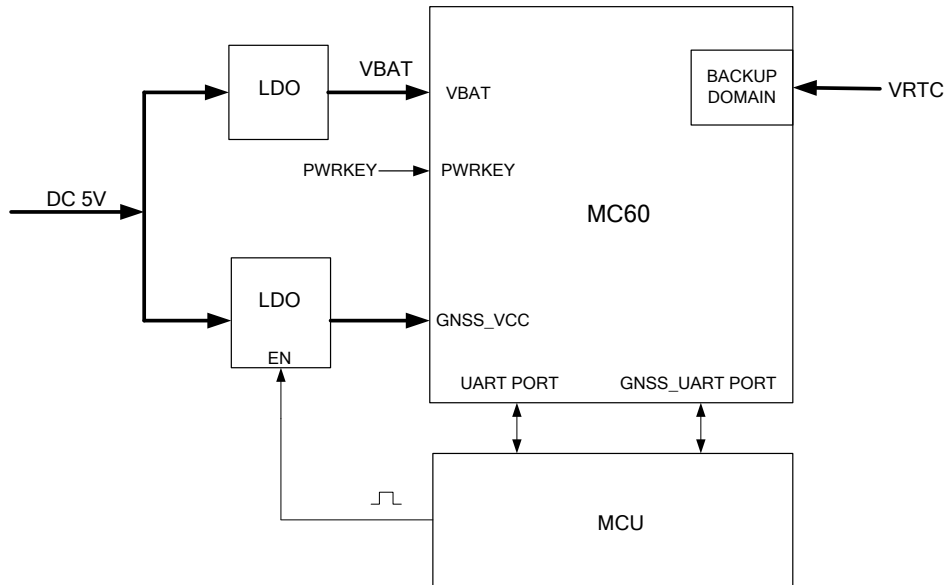
In **All-in-one** solution, the MC60 works as a whole unit. The GNSS part can be regarded as a peripheral of the GSM Part. This allows for convenient communication between GSM and GNSS parts, such as AT command sending for GNSS control, GNSS part firmware upgrading, and EPO data download.

In **Stand-alone** solution, GSM and GNSS parts work independently, and thus have to be controlled separately.

**All-in-one** solution and **Stand-alone** solution schematic diagrams are shown below.



**Figure 3: All-in-one Solution Schematic Diagram**



**Figure 4: Stand-alone Solution Schematic Diagram**

**Table 8: Comparison between All-in-one and Stand-alone Solution**

|                          | All-in-one   | Stand-alone   | Remarks  |
|--------------------------|--|---|--|
| Firmware upgrade         | Firmware upgrade via main UART port (GSM and GNSS parts share the same firmware package) | Firmware upgrade via main UART port (GSM and GNSS parts share the same firmware package)                    | Refer to <b>Chapter 3.9.1.3</b> for details            |
| Data transmission        | Both GSM and GNSS data are transmitted through the GSM UART Port                         | GSM data is transmitted through the main UART port.<br>GNSS data is transmitted through the GNSS UART port. |  |
| GNSS turn-on/off         | By AT command through main UART port   | Through the external switch of MCU  | Refer to <b>Chapter 3.7</b> and <b>3.8</b> for details |
| GNSS wake up GSM         | GNSS can wake up GSM by interrupts   | N/A   |  |
| GNSS's EPO data download | EPO data is downloaded directly through the GSM part.                                    | MCU receives the EPO data which is downloaded through the GSM part, and then transmit it to the GNSS part.  | Refer to <b>Chapter 3.18</b> for details               |

## 3.5. Power Supply

### 3.5.1. Power Features

#### 3.5.1.1. Power Features of GSM Part

The power supply of the GSM part is one of the key issues in MC60 design. Due to the 577us radio burst in GSM part every 4.615ms, the power supply must be able to deliver high current peaks in a burst period. During these peaks, drops on the supply voltage must not exceed the minimum working voltage of the GSM part.

The maximum current consumption of GSM part could reach 1.6A during a burst transmission. It will cause a large voltage drop on the VBAT. In order to ensure stable operation of the part, it is recommended that the maximum voltage drop during the burst transmission does not exceed 400mV.

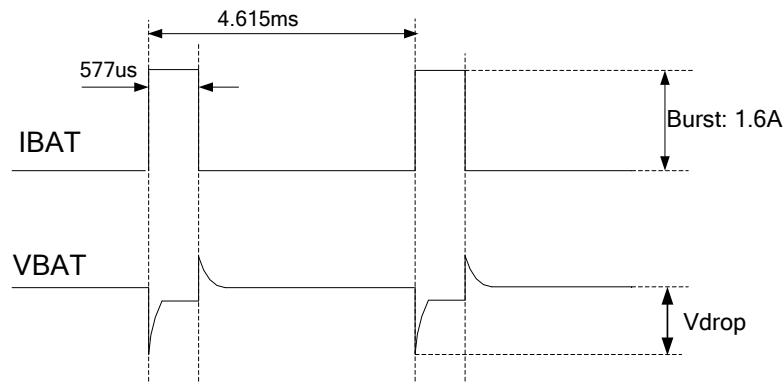


Figure 5: Voltage Ripple during Transmitting (GSM Part)

#### 3.5.1.2. Power Features of GNSS Part

In **All-in-one** solution, the power supply of GNSS part is controlled by the GSM part through the GNSS\_VCC\_EN pin. In **Stand-alone** solution, the power supply of GNSS part is controlled independently via an external switch of MCU.

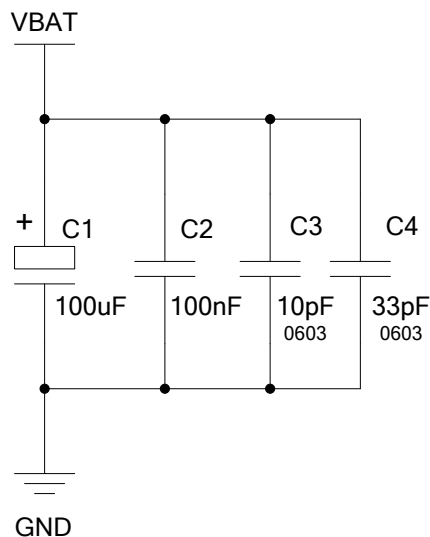
## 3.5.2. Decrease Supply Voltage Drop

### 3.5.2.1. Decrease Supply Voltage Drop for GSM Part

Power supply range of the GSM part is from 3.3V to 4.6V. Make sure that the input voltage will never drop below 3.3V even in a burst transmission. If the power voltage drops below 3.3V, the module will be turned

off automatically. For better power performance, it is recommended to place a 100uF tantalum capacitor with low ESR (ESR=0.7Ω) and ceramic capacitors 100nF, 33pF and 10pF near the VBAT pin. A reference circuit is illustrated in the following figure.

The VBAT trace should be wide enough to ensure that there is not too much voltage drop during burst transmission. The width of trace should be no less than 2mm; and in principle, the longer the VBAT trace, the wider it will be.



**Figure 6: Reference Circuit for VBAT Input (GSM Part)**

### 3.5.2.2. Decrease Supply Voltage Drop for GNSS Part

Power supply range of GNSS part is from 2.8V to 4.3V. GNSS\_VCC's maximum average current is 40mA during GNSS acquisition after power up. Therefore, it is important to supply sufficient current and make the power clean and stable. The decouple combination of 10uF and 100nF capacitor is recommended nearby GNSS\_VCC pin. A reference circuit is illustrated in the following figure.

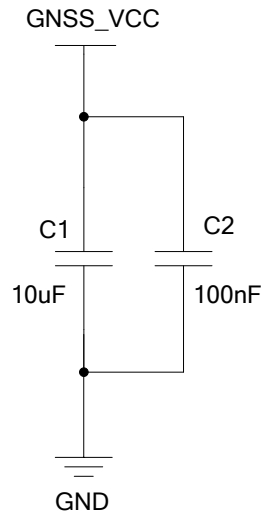


Figure 7: Reference Circuit for GNSS\_VCC Input

### 3.5.3. Reference Design for Power Supply

#### 3.5.3.1. Reference Design for Power Supply of GSM Part

In **All-in-one** solution, the GSM part controls the power supply of the GNSS part. Therefore, the GSM part share the same power circuit design in both **All-in-one** and **Stand-alone** solutions.

The power supply of GSM part is capable of providing sufficient current up to 2A at least. If the voltage drop between the input and output is not too high, it is suggested to use a LDO as the GSM part's power supply. If there is a big voltage difference between the input source and the desired output (VBAT), a switcher power converter is recommended to be used as the power supply.

The following figure shows a reference design for +5V input power source for GSM part. The designed output for the power supply is 4.0V and the maximum load current is 3.0A. In addition, in order to get a stable output voltage, a zener diode is placed close to the pins of VBAT. As to the zener diode, it is suggested to use a zener diode whose reverse zener voltage is 5.1V and dissipation power is more than 1W.



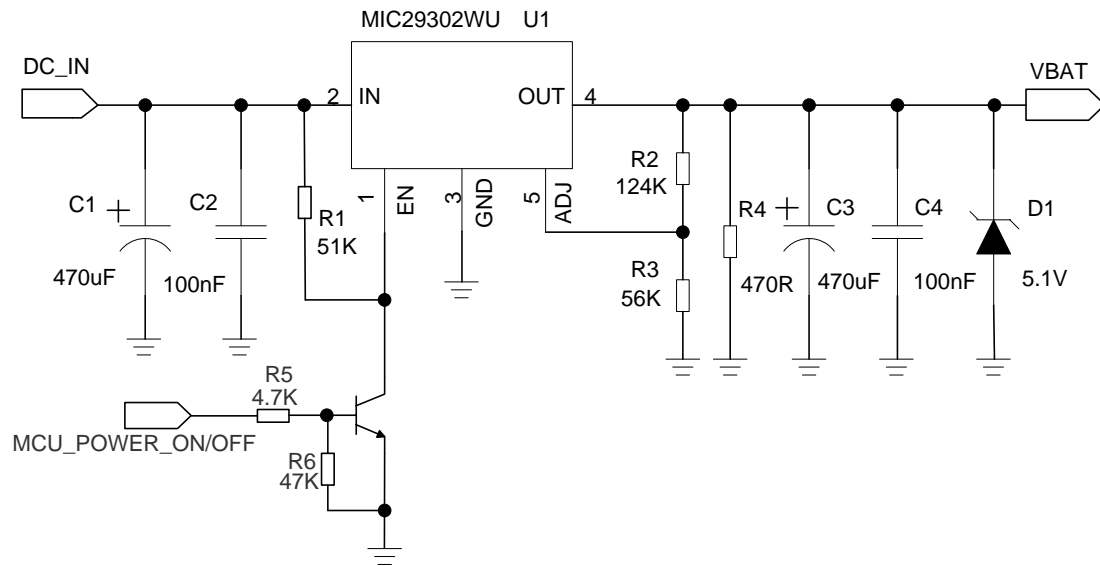


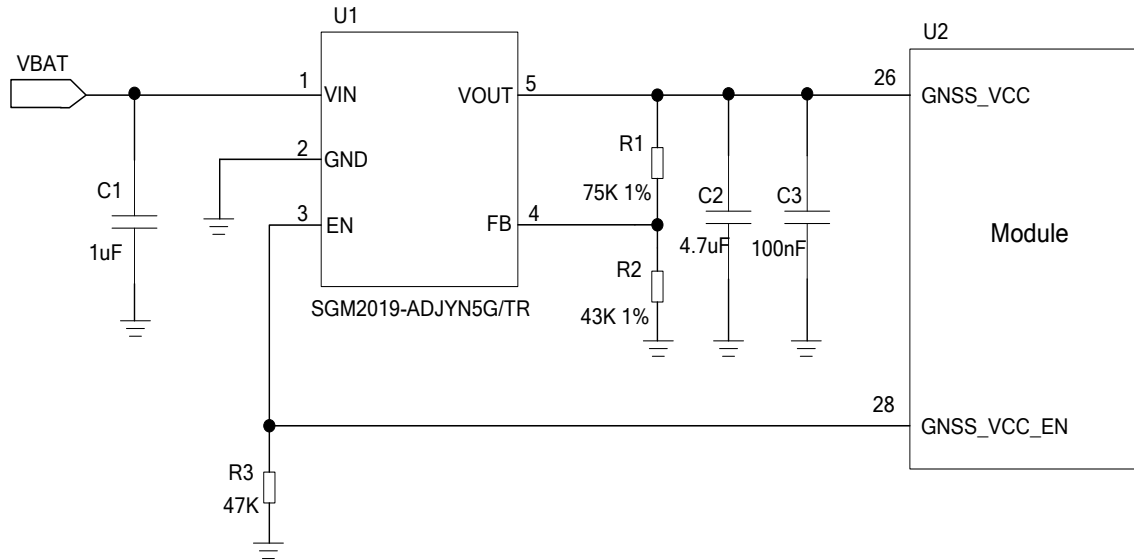
Figure 8: Reference Circuit for Power Supply of the GSM Part

**NOTE**

It is suggested to control the module's main power supply (VBAT) via LDO enable pin to restart the module when the module becomes abnormal. Power switch circuit like P-channel MOSFET switch circuit can also be used to control VBAT.

**3.5.3.2. Reference Design for Power Supply of GNSS Part in All-in-one Solution**

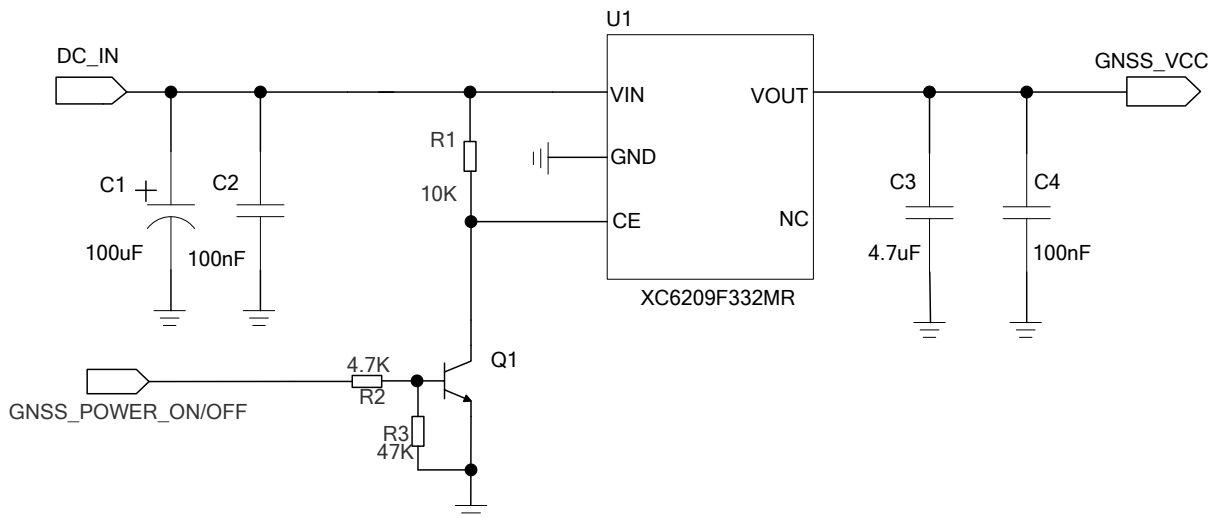
In **All-in-one** solution, the power supply of GNSS part is controlled by the GSM part through the GNSS\_VCC\_EN pin. A reference circuit for the GNSS part power supply is given below. Please pay attention to the electrical characteristics of GNSS\_VCC\_EN to match LDO's EN pin. Please refer to **document [1]** for details about the AT commands for GNSS control.



**Figure 9: Reference Circuit Design for GNSS Part in All-in-one Solution**

### 3.5.3.3. Reference Design for Power Supply of GNSS Part in Stand-alone Solution

In **Stand-alone** solution, GNSS is independent to the GSM part, and the power supply of the GNSS part is controlled by MCU. A reference circuit for the power supply of GNSS part is given below.



**Figure 10: Reference Circuit Design for GNSS Part in Stand-alone Solution**

### 3.5.4. Monitor Power Supply

The command **AT+CBC** can be used to monitor the supply voltage of the GSM part. The unit of the displayed voltage is mV. For details, please refer to **document [1]**.

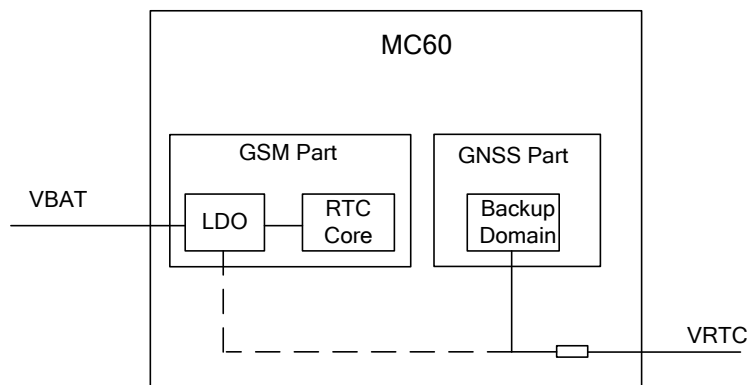
### 3.5.5. Backup Domain of GNSS

The GNSS part of MC60 features a backup domain which contains all the necessary GNSS information for quick start-up and a small amount of user configuration variables. In GNSS's backup mode, the backup domain is still alive. As long as the backup domain is alive, EASY™ technology will be available.

#### 3.5.5.1. Use VBAT as the Backup Power Source of GNSS

In either **All-in-one** or **Stand-alone** solution, GNSS's backup mode will be active as long as the main power supply (VBAT) is remained, even when the module is turned off and GNSS\_VCC is powered off; as the GNSS's backup domain is powered by VBAT. In this case, the VRTC pin can be kept floating, and the current consumption is only about 220uA.

When powered by VBAT, the reference schematic diagrams in **All-in-one** and **Stand-alone** solutions are shown below.

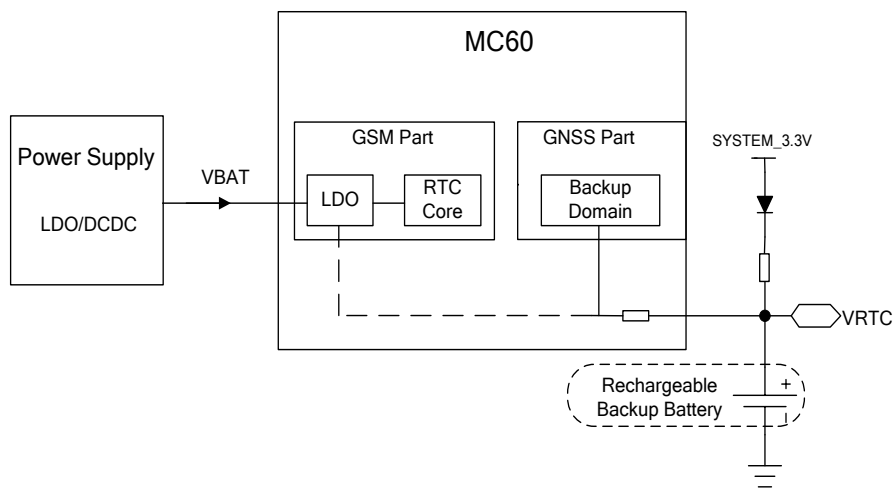


**Figure 11: Internal GNSS's Backup Domain Power Construction**

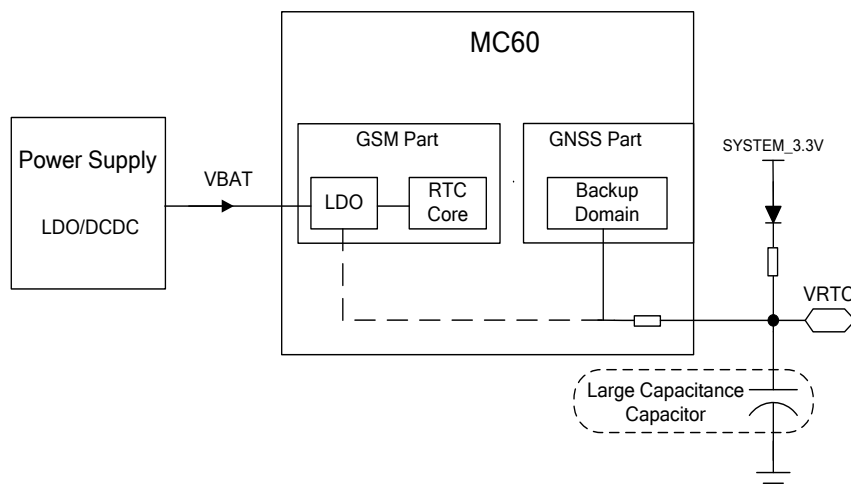
#### 3.5.5.2. Use VRTC as Backup Power of GNSS

In either **All-in-one** or **Stand-alone** solution, when the main power supply (VBAT) is removed after the module is turned off, and GNSS\_VCC is also powered off, a backup supply such as a coin-cell battery (rechargeable or non-chargeable) or a super capacitor can be used to power the VRTC pin to keep GNSS in backup mode. In this case, the current consumption is as low as 14uA approximately.

When powered by VRTC, the reference schematic diagrams in **All-in-one** and **Stand-alone** solutions are shown below.



**Figure 12: VRTC is Powered by a Rechargeable Battery**



**Figure 13: VRTC is Powered by a Capacitor**

A rechargeable or non-chargeable coin-cell battery can also be used here. For more information, please visit <http://www.sii.co.jp/en>.

**NOTE**

As SYSTEM\_3.3V is used for battery charging, it is recommended to keep it powered for the longest time in all system power supplies.

## 3.6. Operating Modes

### 3.6.1. Operating Modes of GSM Part

The table below briefly summarizes the various operating modes of GSM part mentioned in the following chapters.

**Table 9: Operating Modes Overview of GSM Part**

| Modes  | Function  |  |
|--|---|--|
| GSM Normal Operation                                       | GSM/GPRS Sleep  | After enabling Sleep mode by <b>AT+QSCLK=1</b> , the GSM part will automatically enter into Sleep mode if DTR is set to high level and there is no interrupt (such as GPIO interrupt or data on main UART port). In this case, the current consumption of the GSM part will reduce to the minimal level.<br>During Sleep mode, the GSM part can still receive paging message and SMS from the system normally. |
|  | GSM IDLE  | Software is active. The GSM part has registered on GSM network, and it is ready to send and receive GSM data.  |
|  | GSM TALK  | GSM connection is ongoing. In this mode, the power consumption is decided by the configuration of Power Control Level (PCL), dynamic DTX control and the working RF band.  |
|  | GPRS IDLE   | The GSM part is not registered on GPRS network. It is not reachable through GPRS channel.  |
|  | GPRS STANDBY  | The GSM part is registered on GPRS network, but no GPRS PDP context is active. The SGSN knows the Routing Area where the module is located at.   |
|  | GPRS READY  | The PDP context is active, but no data transfer is ongoing. The GSM part is ready to receive or send GPRS data. The SGSN knows the cell where the module is located at.  |
|  | GPRS DATA   | There is GPRS data in transfer. In this mode, power consumption is decided by the PCL, working RF band and GPRS multi-slot configuration.  |
| POWER DOWN   | Normal shutdown by sending the <b>AT+QPOWD=1</b> command or using the PWRKEY pin. The power management ASIC disconnects the power supply from the base band part of the GSM part. Software is not active. The UART interfaces are not accessible. Operating voltage (connected to VBAT) remains applied.                  |  |
| Minimum Functionality Mode (without removing power supply) | <b>AT+CFUN</b> command can set the GSM part to a minimum functionality mode without removing the power supply. In this case, the RF part of the GSM part will not work or the (U)SIM card will not be accessible, or both RF part and (U)SIM card will be disabled; but the main UART port is still accessible. The power |  |

---

consumption in this case is very low.

---

Based on system requirements, there are several actions to drive the GSM part to enter into low current consumption status. For example, **AT+CFUN** can be used to set the part into minimum functionality mode, and DTR hardware interface signal can be used to lead the system to Sleep mode.

#### 3.6.1.1. Minimum Functionality Mode

Minimum functionality mode reduces the functionality of the GSM part to a minimum level. The consumption of the current can be minimized when the slow clocking mode is activated at the same time. The mode is set via the **AT+CFUN** command which provides the choice of the functionality levels **<fun>=0, 1, 4**.

- 0: minimum functionality
- 1: full functionality (default)
- 4: disable from both transmitting and receiving RF signals

If the GSM part is set to minimum functionality by **AT+CFUN=0**, the RF function and (U)SIM card function would be disabled. In this case, the main UART port is still accessible, but all AT commands related with RF function or (U)SIM card function will be unavailable.

If the GSM part is set by the command **AT+CFUN=4**, the RF function will be disabled, but the main UART port is still active. In this case, all AT commands related with RF function will be unavailable.

After the GSM part is set by **AT+CFUN=0** or **AT+CFUN=4**, it can return to full functionality mode by **AT+CFUN=1**.

For detailed information about **AT+CFUN**, please refer to **document [1]**.

#### 3.6.1.2. Sleep Mode

Sleep mode is disabled by default. It can be enabled by **AT+QSCLK=1**. The default setting is **AT+QSCLK=0**, and in this mode, the GSM part cannot enter Sleep mode.

When the GSM part is set by the command **AT+QSCLK=1**, customers can control the part to enter into or exit from the Sleep mode through pin DTR. When DTR is set to high level, and there is no on-air or hardware interrupt such as GPIO interrupt or data on main UART port, the GSM part will enter into Sleep mode automatically. In this mode, the GSM part can still receive voice, SMS or GPRS paging from network, but the main UART port does not work.

### 3.6.1.3. Wake up GSM Part from Sleep Mode

When the GSM part is in the Sleep mode, it can be woken up through the following methods:

- If the DTR pin is set low, it would wake up the GSM part from the Sleep mode. The main UART port will be active within 20ms after DTR is changed to low level.
- Receiving a voice or data call from network wakes up the GSM part.
- Receiving an SMS from network wakes up the GSM part.

#### NOTE

DTR pin should be held at low level during communication between the GSM part and the DTE.

## 3.6.2. Operating Modes of GNSS Part

### 3.6.2.1. Full on Mode

Full on mode includes tracking mode and acquisition mode. Acquisition mode is defined as that the GNSS part starts to search satellites, and to determine the visible satellites, coarse carrier frequency & code phase of satellite signals. When the acquisition is completed, it switches to tracking mode automatically. Tracking mode is defined as that the GNSS part tracks satellites and demodulates the navigation data from specific satellites.

When the GNSS\_VCC is valid, the GNSS part will enter into full on mode automatically. The following table describes the default configuration of full on mode.

**Table 10: Default Configuration of Full on Mode (GNSS Part)**

| Item        | Configuration | Comment                         |
|-------------|---------------|---------------------------------|
| Baud Rate   | 115200bps     |                                 |
| Protocol    | NMEA          | RMC, VTG, GGA, GSA, GSV and GLL |
| Update Rate | 1Hz           |                                 |
| SBAS        | Enable        |                                 |
| AIC         | Enable        |                                 |
| LOCUS       | Disable       |                                 |

|                  |             |  |
|------------------|-------------|--|
| EASY™ Technology | Enable      | EASY™ will be disabled automatically when update rate exceeds 1Hz. |
| GNSS             | GPS+GLONASS |  |

In full on mode, the consumption complies with the following regulations:

When the GNSS part is powered on, the average current will rush to 40mA and last for a few seconds; then the consumption will be decreased to the acquisition current marked in **Table 3** and Quectel defined this state as acquisition state, and also it will last for several minutes until it switches to tracking state automatically. The consumption in tracking state is less than that in acquisition state. The value is also listed in **Table 3**.

Sending PMTK commands allows for switching among multiple positioning systems:

- \$PMTK353,0,1,0,0,0\*2A: search GLONASS satellites only
- \$PMTK353,1,0,0,0,0\*2A: search GPS satellites only
- \$PMTK353,1,1\*37: search GLONASS and GPS satellites
- \$PMTK353,1,0,1,0,0\*2A: search GPS and Galileo satellites

#### NOTE

In **All-in-one** solution, make sure the GNSS part is powered on before sending these PMTK commands.

### 3.6.2.2. Standby Mode

Standby mode is a low-power consumption mode. In standby mode, the internal core and I/O power domain are still active; but RF and TCXO are powered off, and the GNSS part stops satellites search and navigation. The way to enter into standby mode is using PMTK commands.

When the GNSS part exits from standby mode, it will use all internal aiding information like GNSS time, ephemeris, last position, etc., to ensure the fastest possible TTFF in either Hot or Warm start. The typical current consumption is about 300uA @GNSS\_VCC=3.3V in standby mode.

Sending the following PMTK command can make GNSS part enter into standby mode:

- \$PMTK161,0\*28: send this command in **Stand-alone** solution.

The following methods will make GNSS part exit from standby mode:

- Sending any data via GNSS\_UART will make GNSS part exit from standby mode in **Stand-alone** solution.



- Sending any PMTK command data about the GNSS through the main UART port will make GNSS part exit the standby mode in **All-in-one** solution.

### 3.6.2.3. Backup Mode

Backup mode requires lower power consumption than standby mode. In this mode, the GNSS part stops acquiring and tracking satellites, but the backed-up memory in backup domain which contains all the necessary GNSS information for quick start-up and a small amount of user configuration variables is alive. Due to the backed-up memory, EASY™ technology is available. The current consumption in this mode is about 14uA.

The following method will make GNSS part enter into backup mode:

- Cutting off GNSS\_VCC and keeping VBAT/VRTC powered will make GNSS part enter into back mode from full on mode.

The following method will make GNSS part exit from backup mode:

- As long as the GNSS\_VCC is powered, the GNSS part will exit from backup mode and enter full on mode immediately.

### 3.6.2.4. Periodic Mode

Periodic mode can control the full on mode and standby/backup mode periodically to reduce power consumption. It contains periodic standby mode and periodic backup mode.

The format of the command, which enables the module's GNSS part to enter into periodic mode, is shown below:

**Table 11: Format of the PMTK Command Enabling Periodic Mode**

| Format:<br>\$PMTK225,<Type>,<Run_time>,<Sleep_time>,<2nd_run_time>,<2nd_sleep_time>*<checksum><CR><LF> |         |   |                |
|--|---------|---|----------------|
| Parameter  | Format  | Description   | Range (ms)     |
| Type   | Decimal | <b>Type=1:</b> Periodic backup mode<br><b>Type=2:</b> Periodic standby mode | /              |
| Run_time   | Decimal | <b>Run_time</b> =Full on mode period (ms)                                   | 1000~518400000 |
| Sleep_time   | Decimal | <b>Sleep_time</b> =Standby/Backup mode                                      | 1000~518400000 |

|                       |             | period (ms)   |                     |
|-----------------------|-------------|---|---------------------|
| <b>2nd_run_time</b>   | Decimal     | <b>2nd_run_time</b> =Full on mode period (ms) for extended acquisition in case module's acquisition fails during the <b>Run_time</b>    | 0 or 1000~518400000 |
| <b>2nd_sleep_time</b> | Decimal     | <b>2nd_sleep_time</b> =Standby/Backup mode period (ms) for extended sleep in case module's acquisition fails during the <b>Run_time</b> | 0 or 1000~518400000 |
| <b>Checksum</b>       | Hexadecimal | Hexadecimal checksum  |                     |

### Example

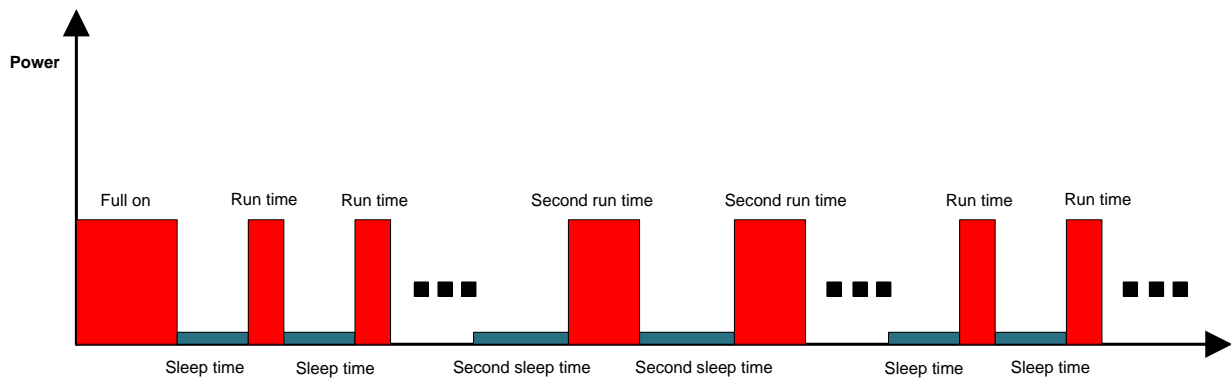
```
$PMTK225,2,3000,12000,18000,72000*15<CR><LF>
$PMTK225,1,3000,12000,18000,72000*15<CR><LF>
```

In periodic standby mode, sending "\$PMTK225,0\*2B" in any time can make the GNSS part enter into full on mode.

In periodic backup mode, sending "\$PMTK225,0\*2B" during the **Run\_time** or **2nd\_run\_time** period can also make the GNSS part enter into full on mode. But this is hard to operate and thus is not recommended.

The following figure has shown the operation mechanism of periodic mode. When customers send PMTK command, the GNSS part will be in full on mode first. Several minutes later, the GNSS part will enter into periodic mode according to the parameters set. When the GNSS part fails to fix the position during **Run\_time**, it will switch to **2nd\_run\_time** and **2nd\_sleep\_time** automatically. As long as the GNSS part fixes the position again successfully, it will return to **Run\_time** and **Sleep\_time**.

Before entering into periodic mode, please make sure the GNSS part is in tracking mode; otherwise it may have a risk of failure in satellite tracking. If module is located in weak signal areas, it is better to set a longer **2nd\_run\_time** to ensure the success of reacquisition.



**Figure 14: Operation Mechanism of Periodic Mode**

The average current consumption in periodic mode can be calculated based on the following formula:

$$I_{\text{periodic}} = (I_{\text{tracking}} * T1 + I_{\text{standby/backup}} * T2) / (T1 + T2) \quad T1: \text{Run\_time}, T2: \text{Sleep\_time}$$

### Example

PMTK225,2,3000,12000,18000,72000\*15 for periodic mode means 3s in tracking mode and 12s in standby mode based on GPS&GLONASS. The average current consumption is calculated below:  
 $I_{\text{periodic}} = (I_{\text{tracking}} * T1 + I_{\text{standby}} * T2) / (T1 + T2) = (22\text{mA} * 3\text{s} + 0.5\text{mA} * 12\text{s}) / (3\text{s} + 12\text{s}) \approx 4.8(\text{mA})$

PMTK225,1,3000,12000,18000,72000\*15 for periodic mode means 3s in tracking mode and 12s in backup mode based on GPS&GLONASS. The average current consumption is calculated below:  
 $I_{\text{periodic}} = (I_{\text{tracking}} * T1 + I_{\text{backup}} * T2) / (T1 + T2) = (22\text{mA} * 3\text{s} + 0.007\text{mA} * 12\text{s}) / (3\text{s} + 12\text{s}) \approx 4.4(\text{mA})$

### 3.6.2.5. AlwaysLocate™ Mode

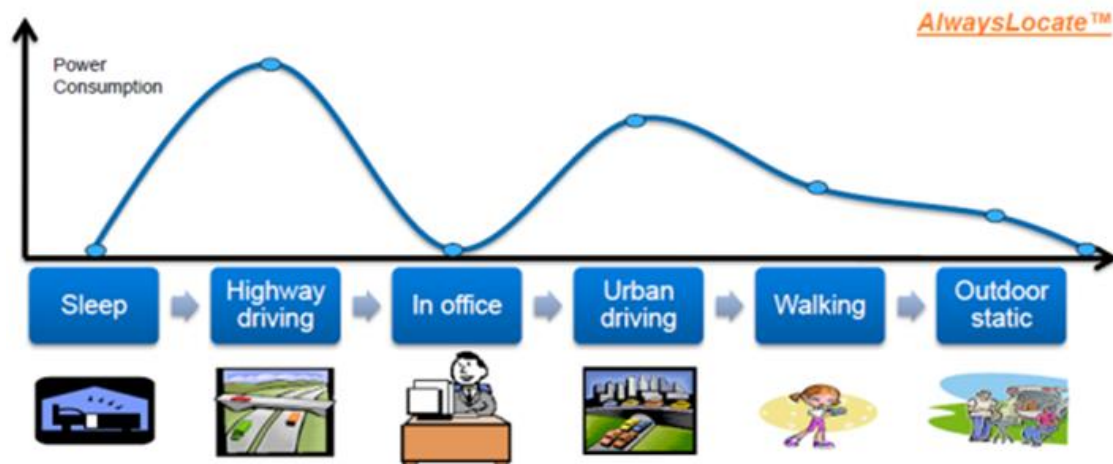
AlwaysLocate™ is an intelligent power saving mode. It contains AlwaysLocate™ backup mode and AlwaysLocate™ standby mode.

AlwaysLocate™ standby mode allows the GNSS part to switch automatically between full on mode and standby mode. According to the environmental and motion conditions, the GNSS part can adaptively adjust the full on time and standby time to achieve the balance between positioning accuracy and power consumption. Sending "\$PMTK225,8\*23" and the module returning "\$PMTK001,225,3\*35" mean that the GNSS part has entered AlwaysLocate™ standby mode successfully, which greatly saves power consumption. Sending "\$PMTK225,0\*2B" in any time will make the GNSS part back to full on mode.

AlwaysLocate™ backup mode is similar to AlwaysLocate™ standby mode. The difference is that the AlwaysLocate™ backup mode allows the GNSS part to switch automatically between full on mode and backup mode. Sending "\$PMTK225,9\*22" command will make the GNSS part enter into AlwaysLocate™

backup mode. During the “Full on mode” period in AlwaysLocate™ backup mode, sending “\$PMTK225,0\*2B” will make the GNSS part back to full on mode.

The positioning accuracy in AlwaysLocate™ mode may be decreased, especially in high-speed movement. The following figure shows the power consumption of the module in different scenarios.



**Figure 15: Power Consumption in Different Scenarios (AlwaysLocate™ Mode)**

When located in outdoors in static and equipped with an active antenna, the GNSS part has an average current consumption of approx. 2.7mA after tracking satellites in AlwaysLocate™ standby mode and 2.6mA in AlwaysLocate™ backup mode based on GPS&GLONASS.

### 3.6.2.6. GLP Mode

GLP (GNSS low power) mode is an optimized solution for wearable fitness and tracking devices. It can reduce power consumption by closing high accuracy positioning.

In GLP mode, the GNSS part can also provide good positioning performance in walking and running scenarios, and supports automatic dynamic duty operation switch for balance on performance and power consumption. It will come back to normal mode in difficult environments to keep good accuracy, thus realizing maximum performance with the lowest power consumption.

The average current consumption in GLP mode is down to 8.9mA in static scenario, which is only 40% of that in normal mode. It may increase a little bit in dynamic scenario. The average current consumption in different outdoor scenarios in GLP mode and normal mode is shown in the table below.

**Table 12: Average Current Consumption in GLP Mode and Normal Mode**

| Scenario | In GLP Mode (mA) | In Normal Mode (mA) |
|----------|------------------|---------------------|
| Static   | 8.9              | 22                  |
| Walking  | 11.2             | 22                  |
| Running  | 11.5             | 22                  |
| Driving  | 21.5             | 22                  |

Customers can use the following commands to make the GNSS part enter into or exit from the GLP mode:

- \$PQGLP,W,1,1\*21: The command is used to set the GNSS part into GLP mode. When "\$PQGLP,W,OK\*09" is returned, it means the part has entered into GLP mode successfully.
- \$PQGLP,W,0,1\*20: The command is used to make the GNSS part exit from GLP mode. When "\$PQGLP,W,OK\*09" is returned, it means the part has exited from GLP mode successfully.

#### NOTES

1. It is recommended to set all the necessary commands before the GNSS part enters into GLP mode. If customers need to send commands, please exit from GLP mode first.
2. When the GNSS part enters into GLP mode, 1PPS function will be disabled.
3. When the GLP mode is enabled, the SBAS will be affected.
4. In high dynamic scenario, the module will have slightly decreased positioning accuracy in GLP mode.
5. The module supports 4800bps~115200bps baud rates and 1Hz~10Hz frequency. It is recommended that 115200bps baud rate and 1Hz frequency are set before the GNSS part enters into GLP mode in **Stand-alone** solution.
6. The GNSS part will automatically come back to the normal mode in complex environments to keep good positioning accuracy.

### 3.6.3. Summary of GSM and GNSS Parts' State in All-in-one Solution

**Table 13: Combination States of GSM and GNSS Parts in All-in-one Solution**

| GNSS Part Modes | GSM Part Modes |       |                       |
|-----------------|----------------|-------|-----------------------|
|                 | Normal         | Sleep | Minimum Functionality |
| Full on         | ✓              | ✓     | ✓                     |
| Backup          | ✓              | ✓     | ✓                     |

|               |   |   |   |
|---------------|---|---|---|
| Periodic      | ✓ | ✓ | ✓ |
| AlwaysLocate™ | ✓ | ✓ | ✓ |
| GLP           | ✓ | ✓ | ✓ |

### 3.6.4. Summary of GSM and GNSS Parts' State in Stand-alone Solution

Table 14: Combination States of GSM and GNSS Parts in Stand-alone Solution

| GNSS Part Modes | GSM Part Modes |       |                       |
|-----------------|----------------|-------|-----------------------|
|                 | Normal         | Sleep | Minimum Functionality |
| Full on         | ✓              | ✓     | ✓                     |
| Standby         | ✓              | ✓     | ✓                     |
| Backup          | ✓              | ✓     | ✓                     |
| Periodic        | ✓              | ✓     | ✓                     |
| AlwaysLocate™   | ✓              | ✓     | ✓                     |
| GLP             | ✓              | ✓     | ✓                     |

#### NOTES

1. The mark “✓” means that the part supports this mode.
2. In **All-in-one** solution, all PMTK commands used for the GNSS part should be sent through GSM UART after the GNSS part is powered on. Make sure the main UART port is accessible.
3. In **All-in-one** solution, when the GSM part is in Sleep mode, the GNSS part can work in either standby or full on mode. However, if NMEA GPS data is needed, the GSM part should be woken up first and then send the corresponding AT command to get. For detailed AT command information, please refer to **document [1]**.
4. In **Stand-alone** solution, all PMTK commands used for the GNSS part can be sent through GNSS UART in any mode of GSM part.

### 3.6.5. BT Function

MC60 module supports Bluetooth function. Bluetooth is a wireless technology that allows devices to communicate, or transmit data/voice, wirelessly over a short distance. It is described as a short-range communication technology intended to replace the cables connecting portable and/or fixed devices while maintaining a high level of security. Bluetooth is standardized as IEEE802.15 and operates in the 2.4GHz

range using RF technology. Its data rate is up to 3Mbps.

MC60 module is fully compliant with Bluetooth specification 3.0, and supports profiles including SPP and HFP-AG. For more details, please refer to **document [15]**.

MC60E module adopts dual-mode chip, and supports BT3.0&BT4.0 specifications. BT4.0 supports Bluetooth low power (BLE) technology, which is low cost, short-range and interoperable wireless technology, and uses intelligent means to minimize power consumption, thus extends the applicability of the technology to a wide range of extended applications, such as watch, anti-theft key ring, sports and fitness sensor, health care sensor and remote control.

### 3.7. Power-on/off Scenarios in All-in-one Solution

In **All-in-one** solution, GNSS function is turned on or off by the AT command sent from GSM part.

#### 3.7.1. Power on

The module can be turned on by driving the pin PWRKEY to a low level voltage. An open collector driver circuit is suggested to control the PWRKEY. A simple reference circuit is illustrated as below.

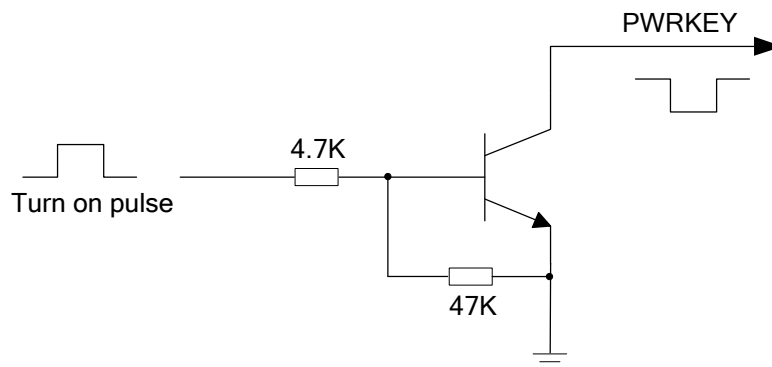


Figure 16: Turn on the Module through an Open-collector Driver

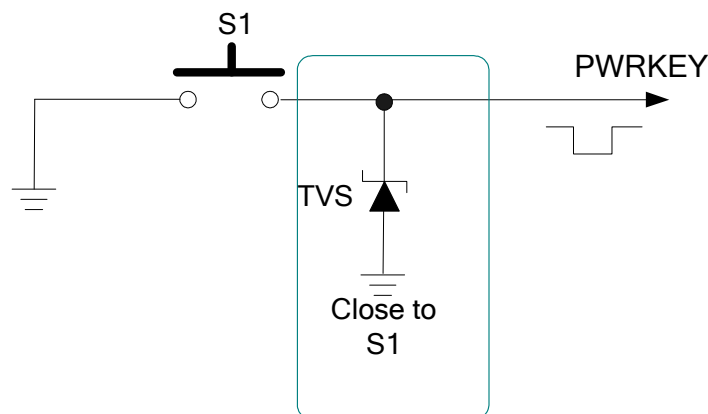
#### NOTES

1. MC60 is set to autobauding mode (**AT+IPR=0**) by default. In autobauding mode, URC **RDY** is not reported to the host controller after the module is powered on. When the module is powered on after a delay of 4s~5s, it can receive AT commands. Host controller should first send an **AT** string in order that the module can detect baud rate of host controller, and it should continue to send the next **AT** string until receiving **OK** string from the module. Then enter **AT+IPR=x;&W** to set a fixed baud rate for the module and save the configuration to flash memory of the module. After these configurations, the URC **RDY** would be received from the main UART port of the module every time when the

module is powered on. For more details, refer to the section **AT+IPR** in *document [1]*.

2. When AT command is responded, it indicates the module is turned on successfully; or else the module fails to be turned on.

The other way to control the PWRKEY is through a button directly. While pressing the key, electrostatic strike may generate from the finger, and thus, a TVS component is indispensable to be placed nearby the button for ESD protection. For the best performance, the TVS component must be placed nearby the button. A reference circuit is shown in the following figure.



**Figure 17: Turn on the Module through a Button**

Command **AT+QGNSSC=1** should be sent to enable the GNSS power supply after the GSM part is running. When the GNSS\_VCC is valid, the GNSS will enter into full on mode automatically. The power-on scenario is illustrated in the following figure.



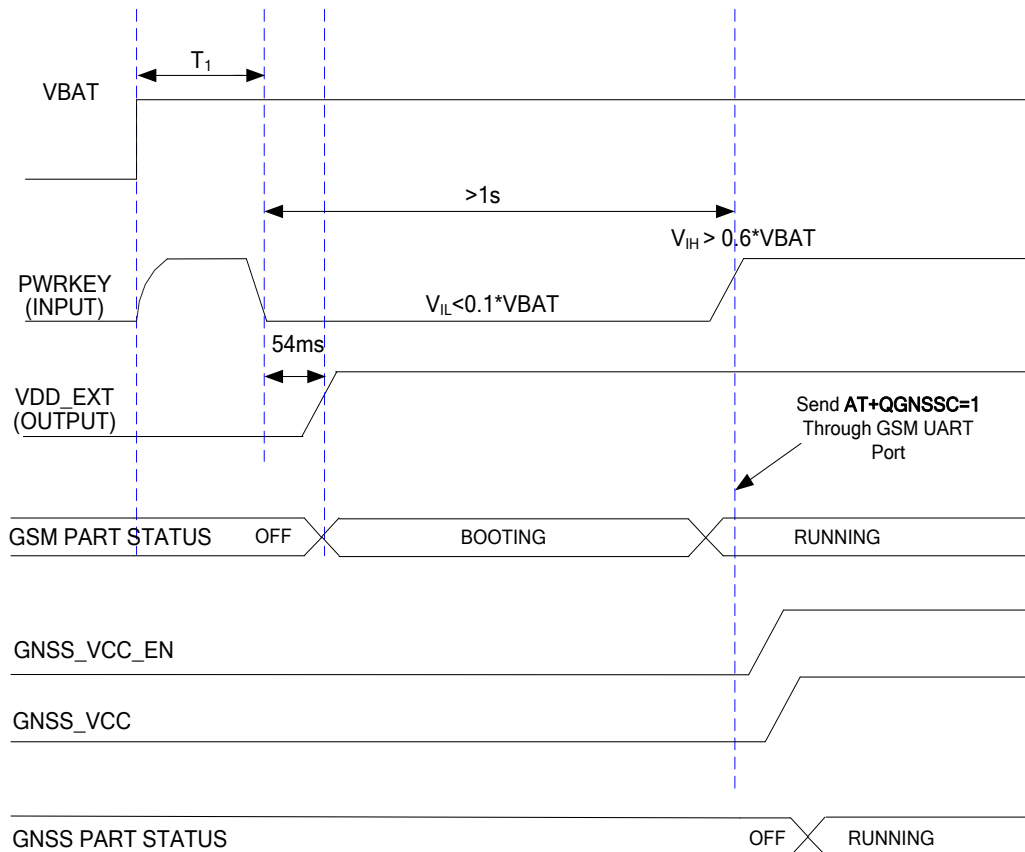


Figure 18: Power-on Scenario

**NOTE**

Make sure that VBAT is stable before pulling down PWRKEY pin. The time of  $T_1$  is recommended to be 100ms.

### 3.7.2. Power-off

The following procedures can be used to turn off the module:

- Normal power-off procedure: Turn off module using the PWRKEY pin
- Normal power-off procedure: Turn off module using command **AT+QPOWD**
- Under-voltage automatic shutdown: Take effect when under-voltage is detected.

#### 3.7.2.1. Turn off Module Using PWRKEY Pin

It is a safe way to turn off the module by driving the PWRKEY to a low level voltage for a certain time. The power-off scenario is illustrated in the following figure.

The power-off procedure causes the module to log off from the network and allows the firmware to save important data before completely disconnecting the power supply.

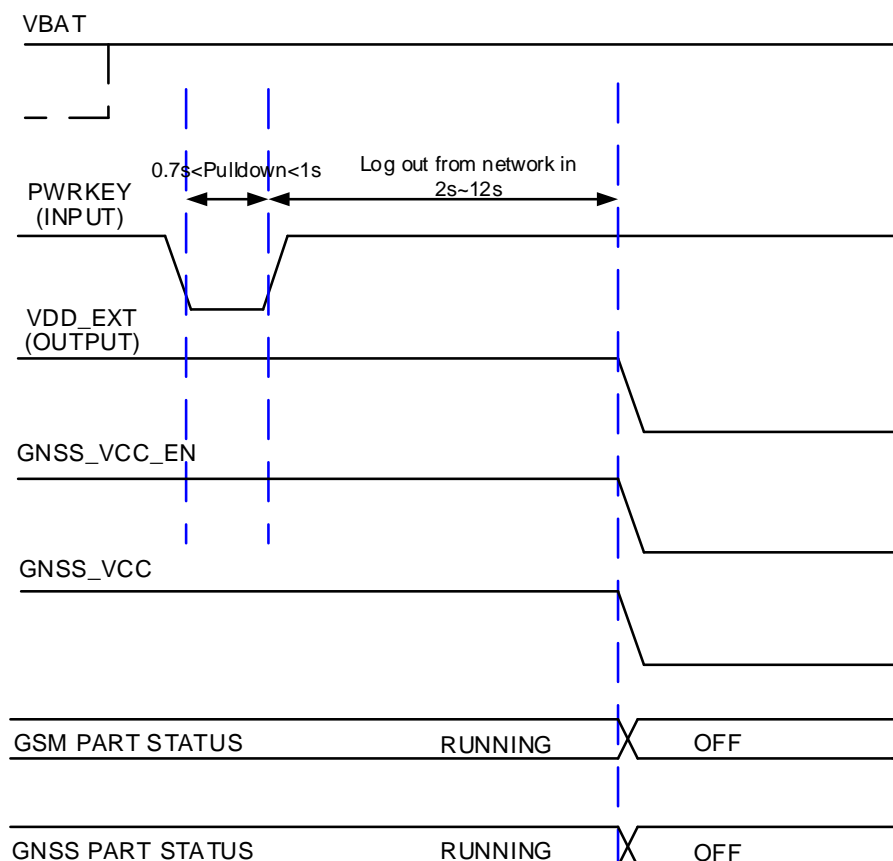
Before the completion of the power-off procedure, the module sends out the result code shown below:

**NORMAL POWER DOWN**

**NOTES**

1. When unsolicited result codes do not appear when autobauding is active and DTE & DCE are not correctly synchronized after start-up, the module is recommended to be set to a fixed baud rate.
2. As network logout time is related to the local mobile network, it is recommended to delay about 12 seconds before disconnecting the power supply or restarting the module.

After that moment, no further AT commands can be executed. Then the module enters the power down mode.



**Figure 19: Power-off Scenario by Using PWRKEY Pin**

### 3.7.2.2. Turn off Module Using AT Command

It is also a safe way to turn off the module via command **AT+QPOWD=1**. This command will let the module log off from the network and allow the firmware to save important data before completely disconnecting the power supply.

Before the completion of the power-off procedure, the module sends out the result code shown below:

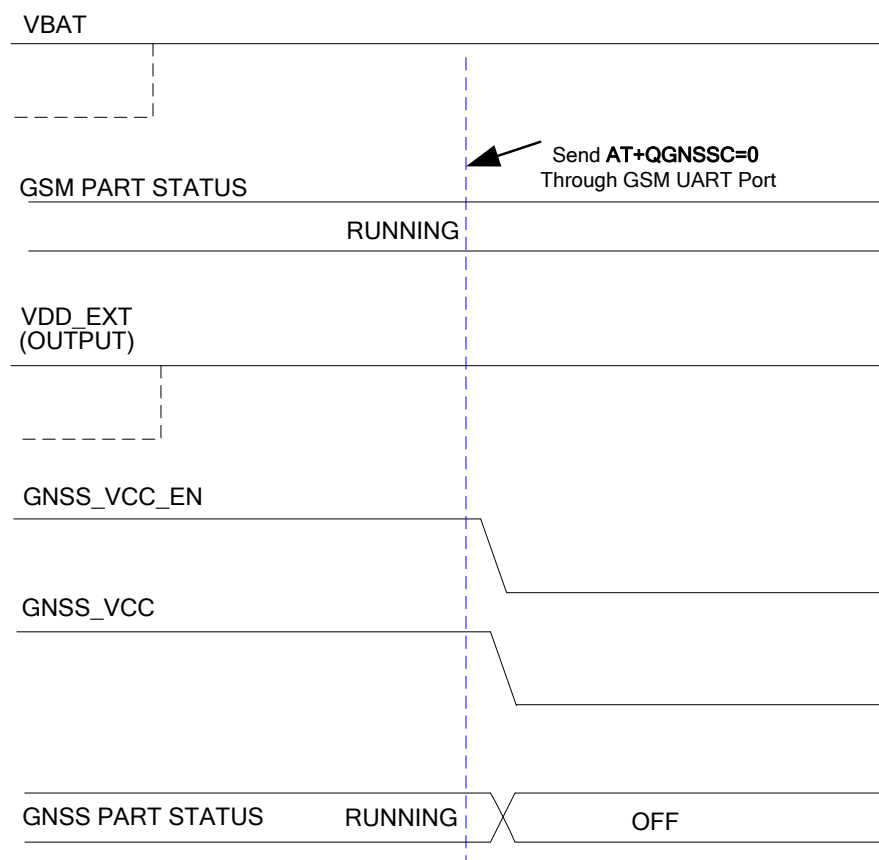
#### ***NORMAL POWER DOWN***

After that moment, no further AT commands can be executed. And then the module enters into power-down mode.

Please refer to **document [1]** for details about AT command **AT+QPOWD**.

### 3.7.2.3. Turn off GNSS Part Alone Using AT Command

It is a safe way to turn off the GNSS part alone via AT command **AT+QGNSSC=0**. The power-off scenario of GNSS part is illustrated in the following figure.



**Figure 20: Power-off Scenario of GNSS Part by Using AT Command**

### 3.7.2.4. Under-voltage Automatic Shutdown

The module will constantly monitor the voltage applied on the VBAT. If the voltage is  $\leq 3.5V$ , the following URC will be presented:

#### ***UNDER\_VOLTAGE WARNING***

The normal input voltage range is from 3.3V to 4.6V. If the voltage is  $< 3.3V$ , the module will automatically shut down.

#### **NOTE**

When unsolicited result codes do not appear when autobauding is active and DTE & DCE are not correctly synchronized after start-up, the module is recommended to be set to a fixed baud rate.

## 3.8. Power-on and off Scenarios in Stand-alone Solution

In **Stand-alone** solution, GSM and GNSS parts are controlled separately, and thus the power-on and off control of them are independent from each other as well. The GSM part can be turned on/off or restarted via PWRKEY pin control, which is the same as that in **All-in-one** solution. The GNSS part is turned on/off via an external switch of MCU.

### 3.8.1. Turn on GSM Part

The GSM part can be turned on by driving the pin PWRKEY to a low level voltage. An open collector driver circuit is suggested to control the PWRKEY. A simple reference circuit is illustrated in **Figure 16**.

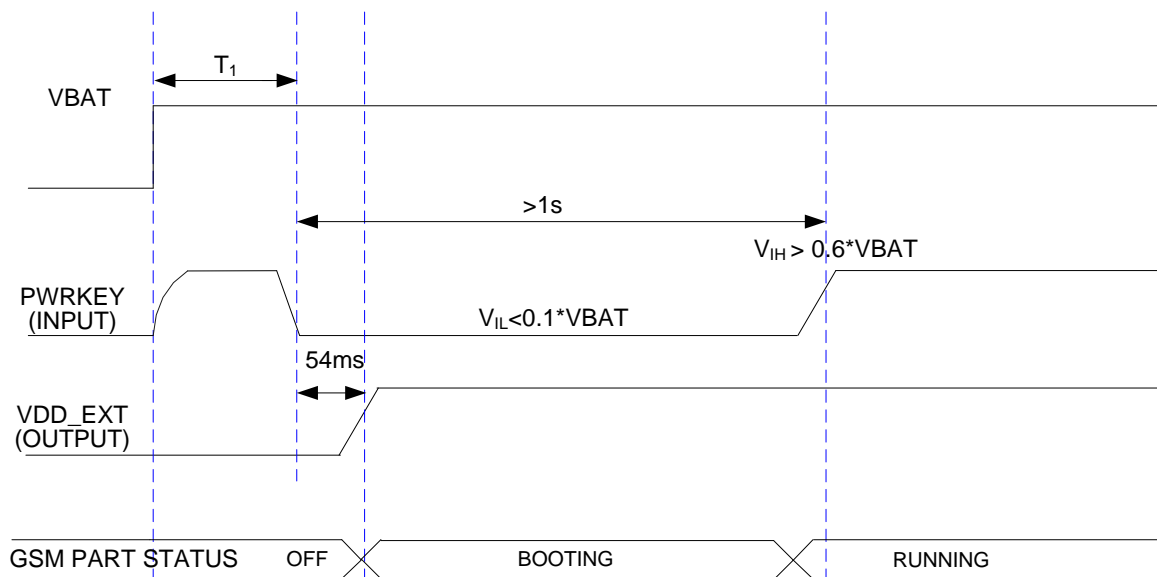
#### **NOTES**

1. The GSM module is set to autobauding mode (**AT+IPR=0**) by default. In the autobauding mode, URC **RDY** is not reported to the host controller after the module is powered on. When the GSM module is powered on after a delay of 4 or 5 seconds, it can receive AT command. Host controller should first send an **AT** string in order that the GSM module can detect baud rate of host controller, and it should continue to send the next **AT** string until receiving **OK** string from the module. Then enter **AT+IPR=x;&W** to set a fixed baud rate for the module and save the configuration to flash memory of the module. After these configurations, the URC **RDY** would be received from the main UART port of the GSM module every time when the module is powered on. For more details, refer to the section **AT+IPR** in **document [1]**.
2. When AT command is responded, it indicates the GSM module is turned on successfully; or else the

module fails to be turned on.

The other way to control the PWRKEY is through a button directly. While pressing the key, electrostatic strike may generate from the finger, and thus, a TVS component is indispensable to be placed nearby the button for ESD protection. For the best performance, the TVS component must be placed nearby the button. A reference circuit is shown in **Figure 17**.

The power-on scenario is illustrated in the following figure.



**Figure 21: Power-on Scenario of GSM Part**

**NOTE**

Make sure that VBAT is stable before pulling down PWRKEY pin. The time of  $T_1$  is recommended to be 100ms.

### 3.8.2. Turn off GSM Part

The following procedures can be used to turn off the GSM part:

- Normal power-off procedure: Turn off GSM part using the PWRKEY pin
- Normal power-off procedure: Turn off GSM part using command **AT+QPOWD**
- Under-voltage automatic shutdown: Take effect when under-voltage is detected

### 3.8.2.1. Turn off GSM Part Using PWRKEY Pin

It is a safe way to turn off the GSM part by driving the PWRKEY to a low level voltage for a certain time. The power-off scenario is illustrated as the following figure.

The power-off procedure causes the GSM module to log off from the network and allows the firmware to save important data before completely disconnecting the power supply.

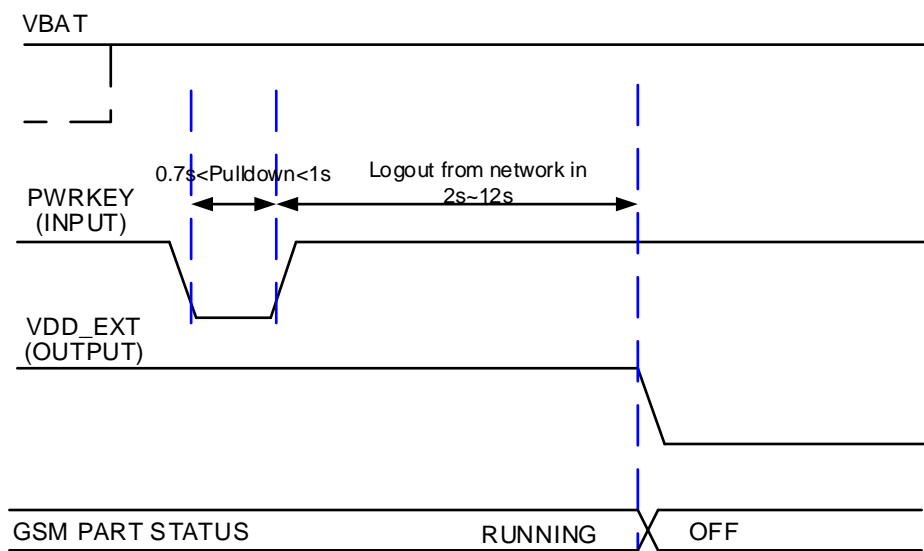
Before the completion of the power-off procedure, the GSM module sends out the result code shown below:

#### ***NORMAL POWER DOWN***

#### **NOTES**

1. When unsolicited result codes do not appear when autobauding is active and DTE & DCE are not correctly synchronized after start-up, the GSM module is recommended to be set to a fixed baud rate.
2. As logout network time is related to the local mobile network, it is recommended to delay about 12 seconds before disconnecting the power supply or restarting the module.

After that moment, no further AT commands can be executed. Then the GSM module enters the power-down mode.



**Figure 22: Power-off Scenario of GSM Part by Using PWRKEY Pin**

### 3.8.2.2. Turn off GSM Part Using AT Command

It is also a safe way to turn off the GSM module via AT command **AT+QPOWD=1**. This command will let the GSM module log off from the network and allow the firmware to save important data before completely disconnecting the power supply.

Before the completion of the power-off procedure, the GSM module sends out the result code shown below:

#### ***NORMAL POWER DOWN***

After that moment, no further AT commands can be executed. And then the GSM module enters into the power down mode.

Please refer to **document [1]** for details about the AT command **AT+QPOWD**.

## 3.9. UART Interfaces

The module provides four UART interfaces: main UART port, debug UART port, auxiliary UART port and GNSS UART port. The module is designed as DCE (Data Communication Equipment), following the traditional DCE-DTE (Data Terminal Equipment) connection. Autobauding function supports baud rate from 4800bps to 115200bps.

The Main UART Port:

- TXD: Send data to RXD of DTE.
- RXD: Receive data from TXD of DTE.
- RTS: Request to send.
- CTS: Clear to send.
- DTR: DTE is ready and inform DCE (this pin can wake the module up).
- RI: Ring indicator (when there is a call, SMS or URC output, the module will inform DTE with the RI pin).
- DCD: Data carrier detection (the validity of this pin demonstrates successful set-up of the communication link).

The Debug UART Port:

- DBG\_TXD: Send data to the COM port of peripheral.
- DBG\_RXD: Receive data from the COM port of peripheral.

The Auxiliary UART Port:

- In **All-in-one** solution:  
TXD\_AUX: Send data to the GNSS part.  
RXD\_AUX: Receive data from the GNSS part.
- In **Stand-alone** solution:  
TXD\_AUX: Keep open  
RXD\_AUX: Keep open

The GNSS UART Port:

- In **All-in-one** solution:  
GNSS\_TXD: Send data to the GSM part.  
GNSS\_RXD: Receive data from the GSM part.
- In **Stand-alone** solution:  
GNSS\_TXD: Send GNSS data to the COM port of peripheral.  
GNSS\_RXD: Receive GNSS data from the COM port of peripheral.

The logic levels are described in the following table.

**Table 15: Logic Levels of UART Interfaces**

| Parameter       | Min.           | Max.           | Unit |
|-----------------|----------------|----------------|------|
| V <sub>IL</sub> | 0              | 0.25 × VDD_EXT | V    |
| V <sub>IH</sub> | 0.75 × VDD_EXT | VDD_EXT+0.2    | V    |
| V <sub>OL</sub> | 0              | 0.15 × VDD_EXT | V    |
| V <sub>OH</sub> | 0.85 × VDD_EXT | VDD_EXT        | V    |

**Table 16: Pin Definition of UART Interfaces**

| Interface      | Pin Name | Pin No. | I/O | Description         |
|----------------|----------|---------|-----|---------------------|
| Main UART Port | TXD      | 33      | DO  | Transmit data       |
|                | RXD      | 34      | DI  | Receive data        |
|                | DTR      | 37      | DI  | Data terminal ready |



|                                   |                       |    |    |                        |
|-----------------------------------|-----------------------|----|----|------------------------|
|                                   | RI                    | 35 | DO | Ring indication        |
|                                   | DCD                   | 36 | DO | Data carrier detection |
|                                   | CTS                   | 38 | DO | Clear to send          |
|                                   | RTS                   | 39 | DI | Request to send        |
| Debug UART Port                   | DBG_RXD               | 30 | DI | Receive data           |
|                                   | DBG_TXD               | 29 | DO | Transmit data          |
| Auxiliary UART Port <sup>1)</sup> | RXD_AUX <sup>1)</sup> | 24 | DI | Receive data           |
|                                   | TXD_AUX <sup>1)</sup> | 25 | DO | Transmit data          |
| GNSS UART Port                    | GNSS_RXD              | 23 | DI | Receive data           |
|                                   | GNSS_TXD              | 22 | DO | Transmit data          |

**NOTE**

<sup>1)</sup> It is recommended to keep these pins open in **Stand-alone** solution.

### 3.9.1. Main UART Port

#### 3.9.1.1. Features of Main UART Port

- Seven-wire UART interface
- Contain data lines TXD and RXD, hardware flow control lines RTS and CTS, as well as other control lines DTR, DCD and RI.
- Used for AT command, GPRS data, etc. Multiplexing function is supported on the main UART port. NMEA output and PMTK command can be supported in **All-in-one** solution.
- Support the following communication baud rates: 300bps, 600bps, 1200bps, 2400bps, 4800bps, 9600bps, 14400bps, 19200bps, 28800bps, 38400bps, 57600bps, 115200bps.
- The default setting is autobauding mode. Support the following baud rates for autobauding function: 4800bps, 9600bps, 19200bps, 38400bps, 57600bps, 115200bps.
- Hardware flow control is disabled by default. When hardware flow control is required, RTS and CTS should be connected to the host. AT command **AT+IFC=2,2** is used to enable hardware flow control. AT command **AT+IFC=0,0** is used to disable the hardware flow control. For more details, please refer to **document [1]**.

After setting a fixed baud rate or autobauding, please send **AT** string at that rate. The main UART port is ready when it responds **OK**.

Autobauding allows the module to detect the baud rate by receiving the string **AT** or **at** from the host or PC automatically, which gives module flexibility without considering which baud rate is used by the host controller. Autobauding is enabled by default. To take advantage of the autobauding mode, special attention should be paid according to the following requirements:

#### **Synchronization between DTE and DCE:**

When DCE (the module) is powered on with autobauding enabled, it is recommended to wait 2 to 3 seconds before sending the first AT character. After receiving the **OK** response, DTE and DCE are correctly synchronized.

If the host controller needs URC in the mode of autobauding, it must be synchronized firstly. Otherwise the URC will be discarded.

#### **Restrictions on autobauding operation:**

- The main UART port has to be operated at 8 data bits, no parity and 1 stop bit (factory setting).
- The **At** and **at** commands cannot be used.
- Only the strings **AT** or **at** can be detected (neither **At** nor **aT**).
- The Unsolicited Result Codes like **RDY**, **+CFUN: 1** and **+CPIN: READY** will not be indicated when the module is turned on with autobauding enabled and not be synchronized.
- Any other Unsolicited Result Codes will be sent at the previous baud rate before the module detects the new baud rate by receiving the first **AT** or **at** string. The DTE may receive unknown characters after switching to a new baud rate.
- It is not recommended to switch to autobauding from a fixed baud rate.
- If autobauding is active it is not recommended to switch to multiplex mode.

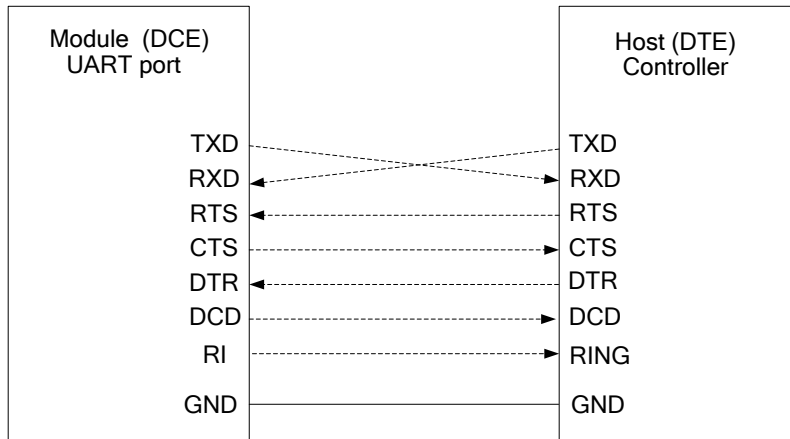
#### **NOTE**

To assure reliable communication and avoid any problems caused by undetermined baud rate between DCE and DTE, it is strongly recommended to configure a fixed baud rate and save it instead of using autobauding after start-up. For more details, please refer to the section **AT+IPR** in **document [1]**.

#### **3.9.1.2. The Connection of UART**

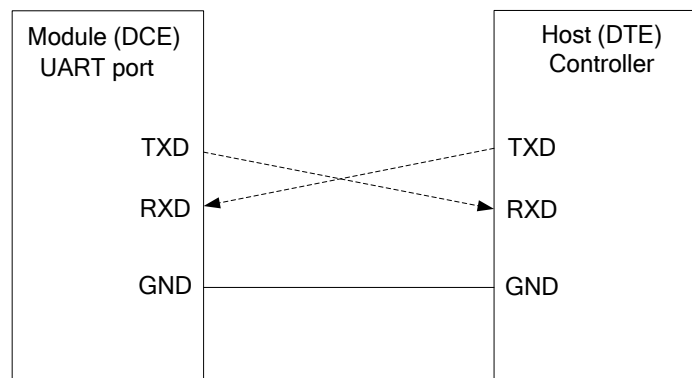
The connection between module and host using main UART port is very flexible. The following are three common connection methods.

A reference design for full-function UART connection is shown as below when it is applied in modulation-demodulation.



**Figure 23: Reference Design for Full-Function UART**

Three-wire connection is shown as below.



**Figure 24: Reference Design for Main UART Port (Three-wire Connection)**

A reference design for main UART port with hardware flow control is shown as below. The connection will enhance the reliability of the mass data communication.

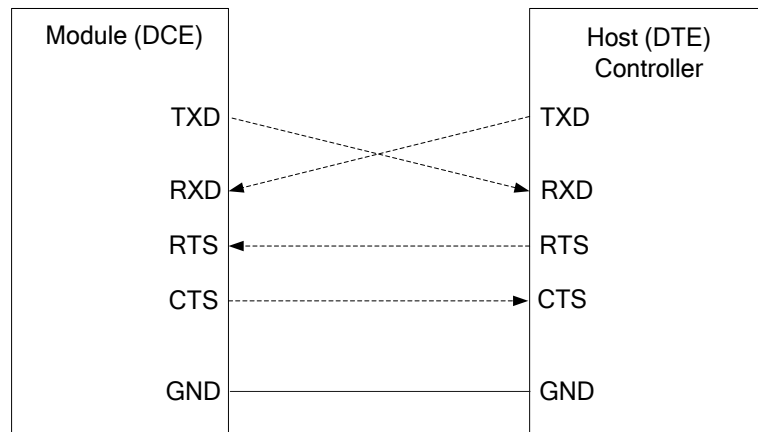


Figure 25: Reference Design for UART Port with Hardware Flow Control

### 3.9.1.3. Firmware Upgrade

TXD and RXD can be used for firmware upgrade in both **All-in-one** solution and **Stand-alone** solution. The PWRKEY pin must be pulled down before firmware upgrade. The following cautions must be taken into account.

- VBAT voltage must be stable
- PWRKEY pin must be set to low

A reference circuit for firmware upgrade via main UART port is shown as below:

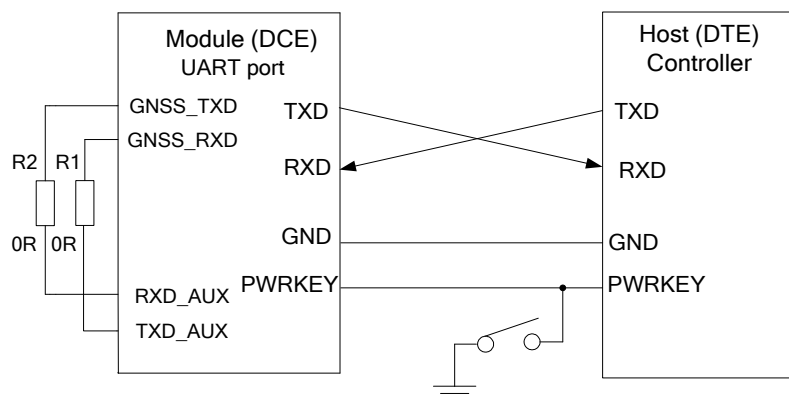


Figure 26: Reference Design for Firmware Upgrade via Main UART Port

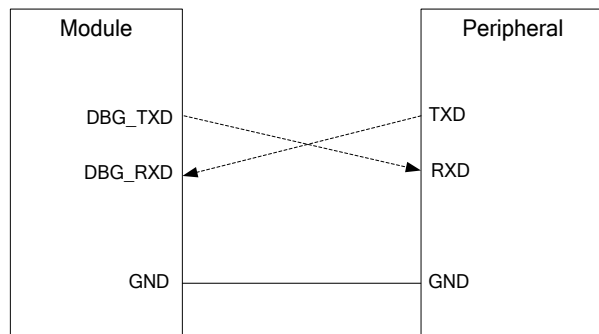
#### NOTES

1. In **Stand-alone** solution, make sure the auxiliary UART port is connected to the GNSS UART port during firmware upgrade. Please refer to **Chapter 3.9.3.2** for details.

2. The firmware of module might need to be upgraded due to a certain of reasons. It is thus recommended to reserve these pins in the host board for firmware upgrade.

### 3.9.2. Debug UART Port

- Two lines: DBG\_TXD and DBG\_RXD.
- The port outputs log information automatically.
- Debug Port is only used for firmware debugging and its baud rate must be configured as 460800bps.

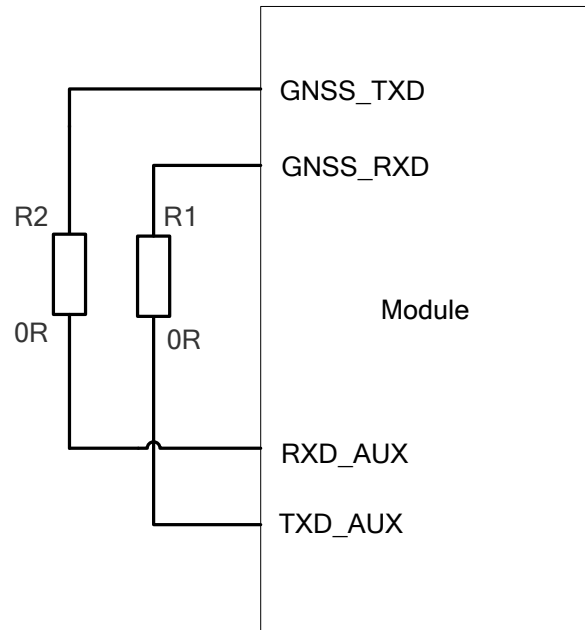


**Figure 27: Reference Design for Debug Port**

### 3.9.3. Auxiliary UART Port and GNSS UART Port

#### 3.9.3.1. Connection in All-in-one Solution

In **All-in-one** solution, the auxiliary UART port and GNSS UART port should be connected together, thus allowing for communication between GSM and GNSS parts. A reference design is shown below.



**Figure 28: Auxiliary and GNSS UART Port Connection in All-in-one Solution**

**NOTE**

As the GNSS part of MC60 outputs more data than a single GNSS system, the default output NMEA types running in 4800bps baud rate and 1Hz update rate will lose some data. The solution to avoid losing data in 4800bps baud rate and 1Hz update rate is to decrease the output NMEA types. 115200bps baud rate is enough to transmit GNSS NMEA in default settings and it is thus recommended.

**3.9.3.2. Connection in Stand-alone Solution**

In **Stand-alone** solution, the GNSS UART port is connected to the COM port of peripheral. During firmware upgrade, switch S1 should be kept closed. Otherwise, it should be kept open. A reference design is shown below.

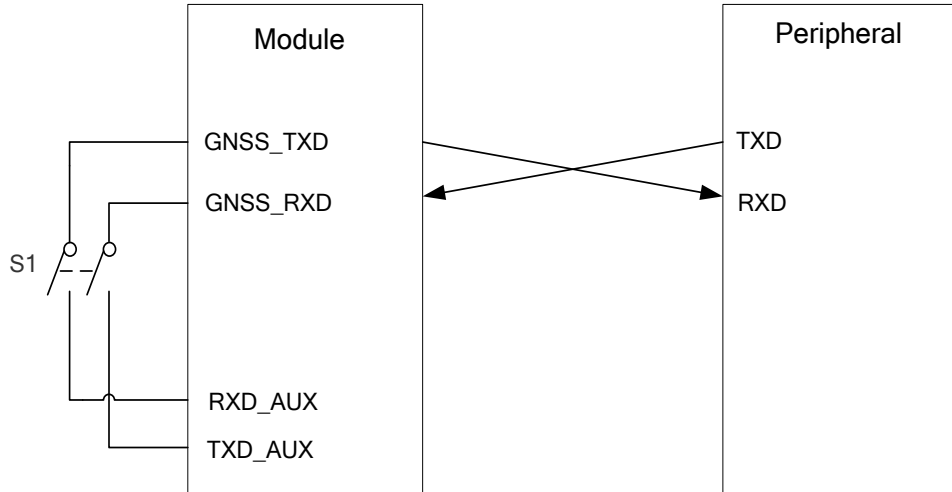


Figure 29: Auxiliary and GNSS UART Port Connection in Stand-alone Solution

### 3.9.4. UART Application

A reference design of 3.3V level match is shown as below. If the host is a 3V system, please change the 5.6K resistors to 10K ones.

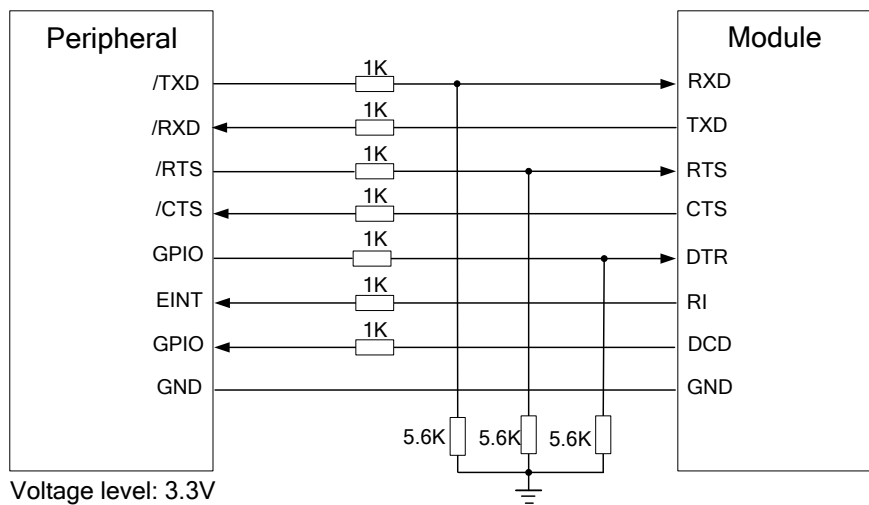
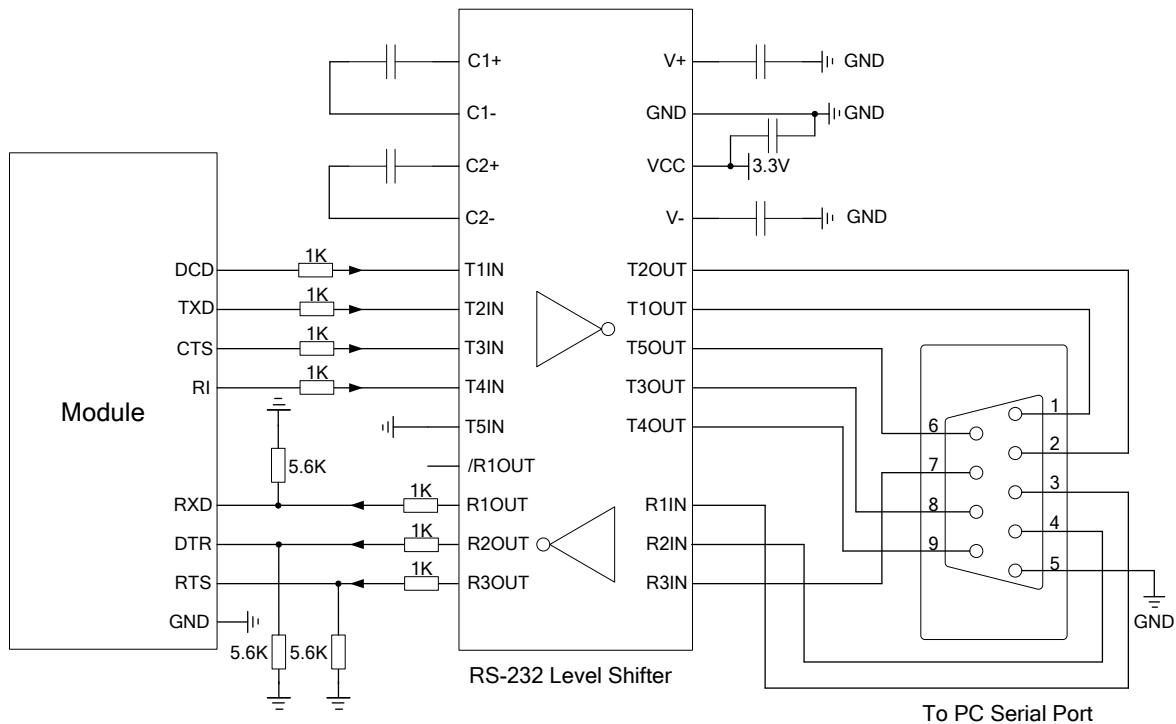


Figure 30: Level Match Design for 3.3V System

#### NOTE

It is highly recommended to add the resistor divider circuit on the UART signal lines when the host's level is 3V or 3.3V. For a higher voltage level system, a level shifter IC could be used between the host and the module. For more details about UART circuit design, please refer to **document [10]**.

The following figure shows a sketch map between the module and the standard RS-232 interface. As the electrical level of module is 2.8V, a RS-232 level shifter must be used. Note that customers should assure the I/O voltage of level shifter which connects to module is 2.8V.



**Figure 31: Sketch Map for RS-232 Interface Match**

Please visit vendors' websites to select a suitable IC, such as: <http://www.maximintegrated.com> and <http://www.exar.com>.

### 3.10. Audio Interfaces

The module provides one analog input channel and two analog output channels.

**Table 17: Pin Definition of Audio Interfaces**

| Interface | Pin Name | Pin No. | I/O | Description                     |
|-----------|----------|---------|-----|---------------------------------|
| AIN/AOUT1 | MICP     | 1       | AI  | Microphone positive input       |
|           | MICN     | 2       |     | Microphone negative input       |
|           | SPKP     | 3       | AO  | Channel 1 Audio positive output |



|           |          |    |    |                                 |
|-----------|----------|----|----|---------------------------------|
| AIN/AOUT2 | SPKN     | 4  |    | Channel 1 Audio negative output |
|           | MICP     | 1  | AI | Microphone positive input       |
|           | MICN     | 2  |    | Microphone negative input       |
|           | LOUDSPKP | 54 | AO | Channel 2 Audio positive output |
|           | LOUDSPKN | 53 |    | Channel 2 Audio negative output |

AIN can be used for input of microphone and line. An electret microphone is usually used. AIN are differential input channels.

AOUT1 is used for output of receiver. The channel is typically used for building a receiver into a handset. AOUT1 channel is a differential channel.

AOUT2 is used for loudspeaker output as it is embedded with an amplifier of class AB whose maximum drive power is 800mW. AOUT2 is a differential channel.

AOUT2 also can be used for output of earphone, and can be used as a single-ended channel.

All these audio channels support voice and ringtone output, and so on, and can be switched by **AT+QAUDCH** command. For more details, please refer to **document [1]**.

Use AT command **AT+QAUDCH** to select audio channel:

- **AT+QAUDCH=0**: AIN/AOUT1, the default value is 0.
- **AT+QAUDCH=1**: AIN/AOUT2, this channel is always used for earphone.
- **AT+QAUDCH=2**: AIN/AOUT2, this channel is always used for loudspeaker.

For each channel, customers can use **AT+QMIC** to adjust the input gain level of microphone. Customers can also use **AT+CLVL** to adjust the output gain level of receiver and speaker. **AT+QSIDET** is used to set the side-tone gain level. For more details, please refer to **document [1]**.

**Table 18: AOUT2 Output Characteristics**

| Item      | Condition                        | Min. | Typ. | Max. | Unit |
|-----------|----------------------------------|------|------|------|------|
| RMS Power | 8Ω load<br>VBAT=3.7V<br>THD+N=1% |      | 800  |      | mW   |

### 3.10.1. Decrease TDD Noise and Other Noises

It is recommended to use the electret microphone with dual built-in capacitors (e.g. 10pF and 33pF) for filtering out RF interference, thus reducing TDD noise. The 33pF capacitor is applied for filtering out 900MHz RF interference when the module is transmitting at EGSM900MHz. Without placing this capacitor, TDD noise could be heard. The 10pF capacitor is used for filtering out 1800MHz RF interference. Please note that the resonant frequency point of a capacitor largely depends on the material and production technique. Therefore, customers would have to discuss with their capacitor vendors to choose most suitable capacitors for filtering out GSM850MHz, EGSM900MHz, DCS1800MHz and PCS1900MHz separately.

The severity degree of the RF interference in the voice channel during GSM transmitting period largely depends on the application design. In some cases, EGSM900 TDD noise is more severe; while in other cases, DCS1800 TDD noise is more obvious. Therefore, customers can choose a suitable capacitor based on the test results. Sometimes, even no RF filtering capacitor is required.

The capacitor which is used for filtering out RF noise should be close to the audio interface, and the audio trace should be as short as possible.

In order to decrease radio or other signal interference, the position of RF antenna should be kept away from audio interface and audio trace. The power trace could not be parallel with the audio trace, and should be far away from it.

The differential audio traces must be routed according to the differential signal layout principles.

### 3.10.2. Microphone Interface Design

AIN channels come with internal bias supply for external electret microphone. A reference circuit is shown in the following figure.

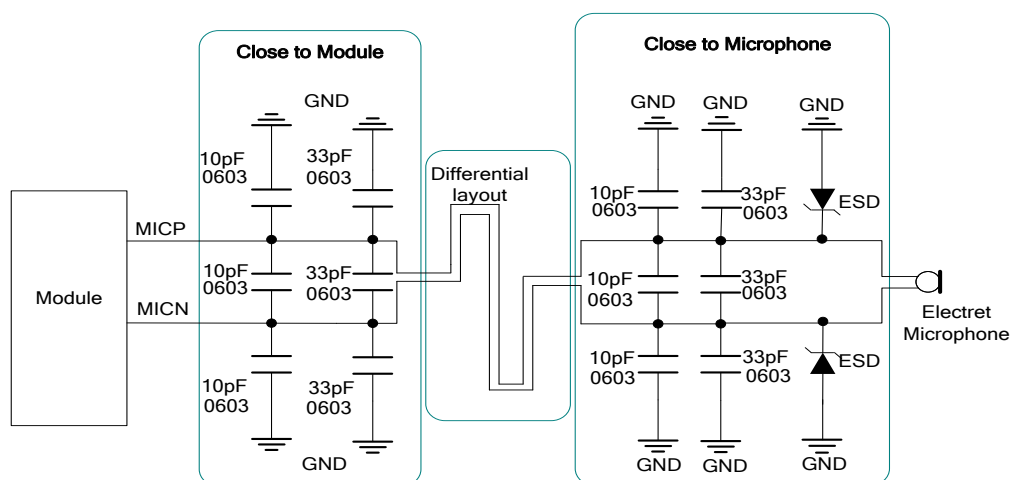


Figure 32: Reference Design for Microphone

### 3.10.3. Speaker Interface Design

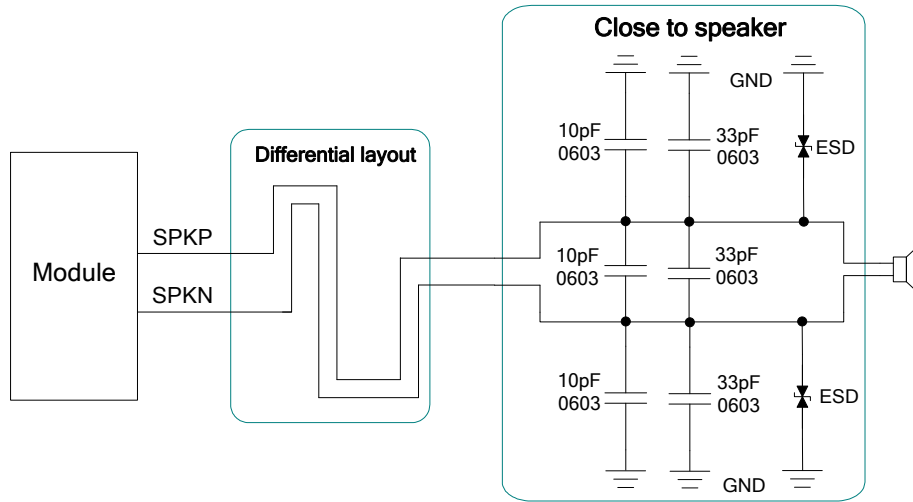


Figure 33: Reference Design for Speaker

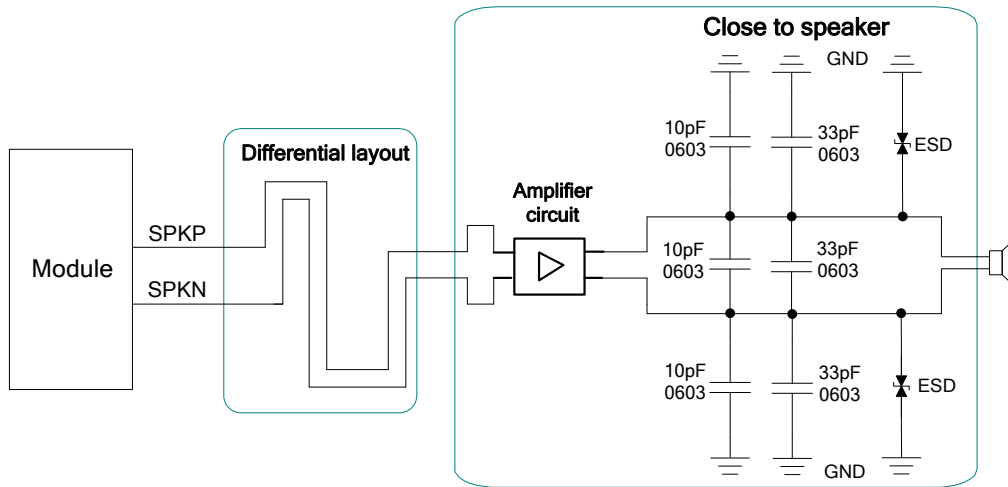


Figure 34: Reference Design for Speaker with an Amplifier

A suitable differential audio amplifier can be chosen from the Texas Instrument's website (<http://www.ti.com>). There are also other excellent audio amplifier vendors in the market.

### 3.10.4. Earphone Interface Design

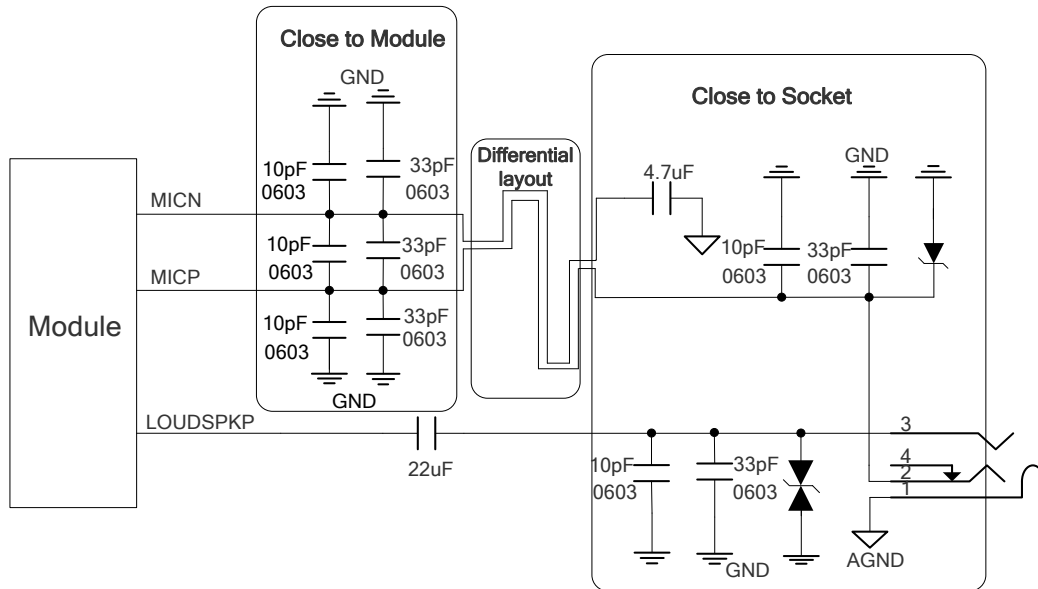


Figure 35: Reference Design for Earphone

### 3.10.5. Loud Speaker Interface Design

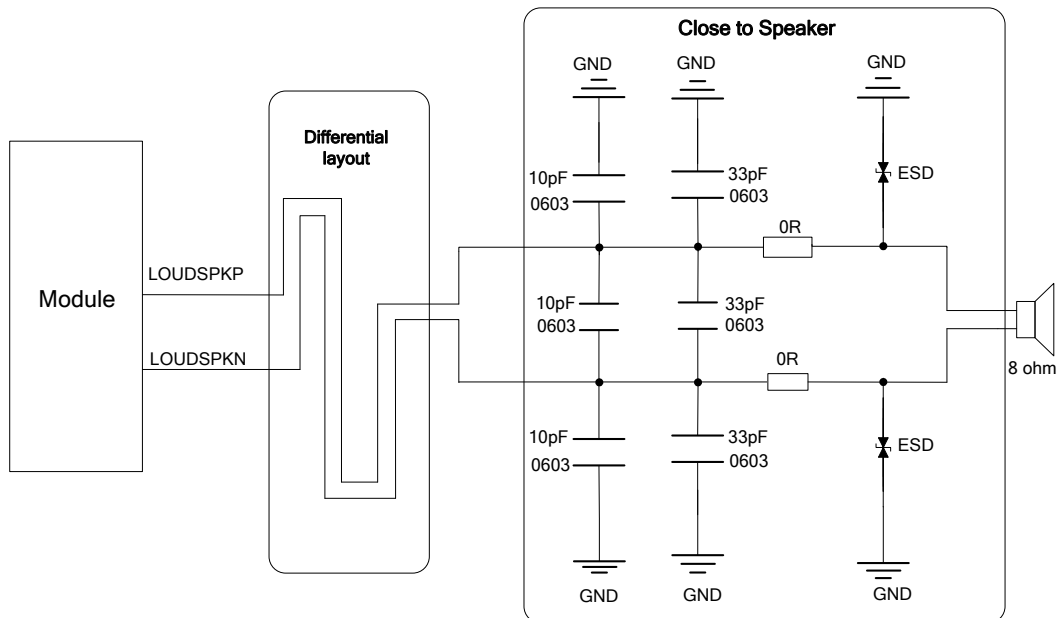


Figure 36: Reference Design for Loud Speaker

### 3.10.6. Audio Characteristics

**Table 19: Typical Electret Microphone Characteristics**

| Parameter                           | Min. | Typ. | Max. | Unit |
|-------------------------------------|------|------|------|------|
| Working Voltage                     | 1.2  | 1.5  | 2.0  | V    |
| Working Current                     | 200  |      | 500  | uA   |
| External Microphone Load Resistance |      | 2.2  |      | Kohm |

**Table 20: Typical Speaker Characteristics**

| Parameter       | Min.         | Typ.            | Max. | Unit     |
|-----------------|--------------|-----------------|------|----------|
| AOUT1<br>Output | Single-ended | Load resistance | 32   | Ohm      |
|                 |              | Reference level | 0    | 2.4      |
|                 | Differential | Load resistance | 32   | Ohm      |
|                 |              | Reference level | 0    | 4.8      |
| AOUT2<br>Output | Differential | Load resistance | 8    | Ohm      |
|                 |              | Reference level | 0    | 2 × VBAT |
|                 | Single-ended | Load resistance | 8    | Ohm      |
|                 |              | Reference level | 0    | VBAT     |

### 3.11. PCM Interface

MC60 provides a PCM interface. The interface is used for digital audio transmission between the module and the device. It is composed of PCM\_CLK, PCM\_SYNC, PCM\_IN and PCM\_OUT signal lines.

Pulse Code Modulation (PCM) is a converter that changes the consecutive analog audio signals to discrete digital signals. The whole process of Pulse Code Modulation includes sampling, quantizing and encoding.

**Table 21: Pin Definition of PCM Interface**

| Pin Name | Pin No. | I/O | Description                      | Comment           |
|----------|---------|-----|----------------------------------|-------------------|
| PCM_OUT  | 60      | DO  | PCM data output                  |                   |
| PCM_IN   | 62      | DI  | PCM data input                   |                   |
| PCM_CLK  | 59      | DO  | PCM clock output                 | 2.8V power domain |
| PCM_SYNC | 61      | DO  | PCM frame synchronization output |                   |

### 3.11.1. Parameter Configuration

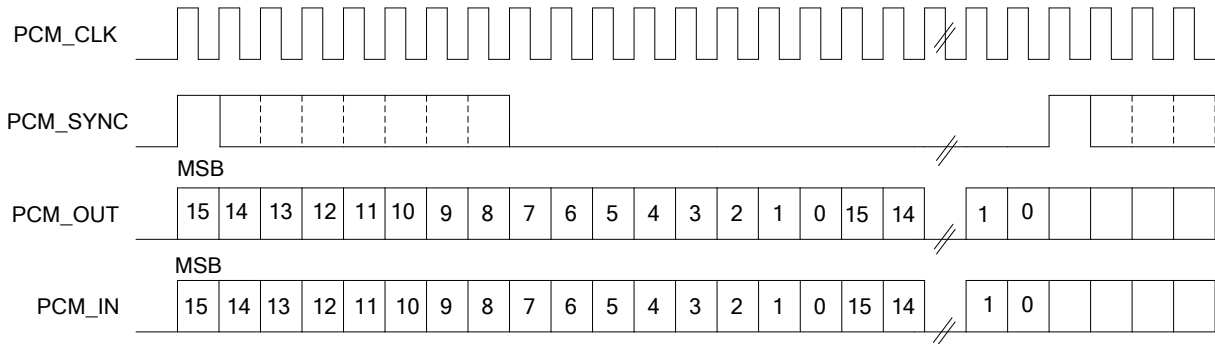
MC60 supports 16-bit linear code PCM format through software configuration. The sample rate is 8KHz and the clock source rate is 256KHz. The module can only act in master mode. The PCM interface supports both long and short frame synchronization, and it only supports MSB first. For more detailed information, please refer to the table below.

**Table 22: PCM Parameter Configuration**

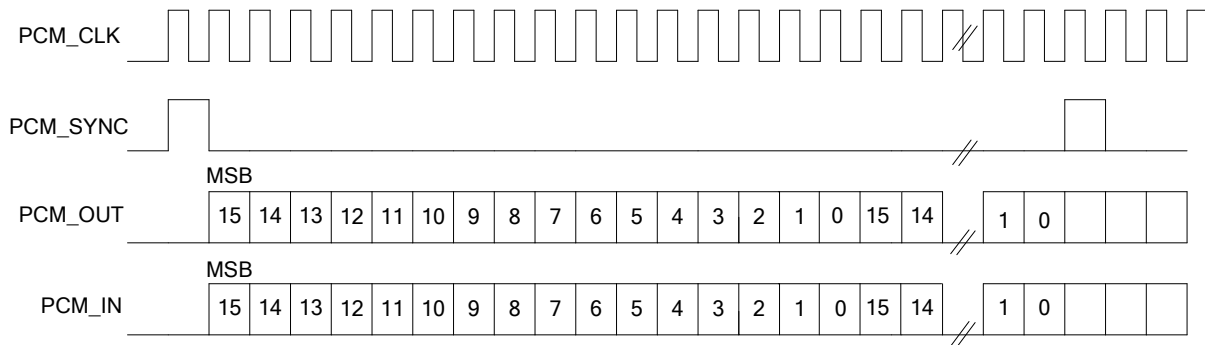
| Parameter                        | Description   |
|----------------------------------|---|
| Interface Format                 | Linear  |
| Data Length                      | Linear: 16bits  |
| Sample Rate                      | 8KHz  |
| PCM Clock/Synchronization Source | Module acts in master mode: clock and synchronization sources are generated by module |
| PCM Synchronization Rate         | 8KHz  |
| PCM Clock Rate                   | Module acts in master mode: 256KHz (linear)   |
| PCM Synchronization Format       | Long/short frame synchronization  |
| PCM Data Ordering                | MSB first   |
| Zero Padding                     | Not supported   |
| Sign Extension                   | Not supported   |

### 3.11.2. Timing Diagram

The sample rate of the PCM interface is 8KHz and the clock source rate is 256KHz. Every frame contains 32-bit data. The left 16 bits are valid, and the data of the left 16 bits and the right 16 bits are the same. The following are the timing diagrams of different frame synchronization formats.



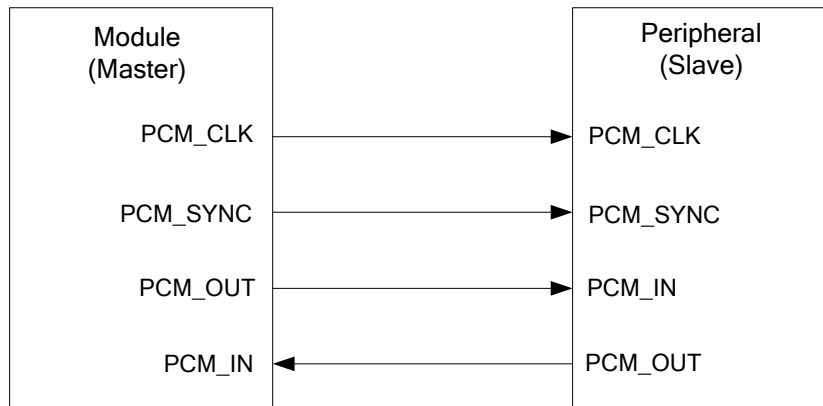
**Figure 37: Timing Diagram for Long Frame Synchronization**



**Figure 38: Timing Diagram for Short Frame Synchronization**

### 3.11.3. Reference Design

MC60 can only work as a master, providing clock and synchronization source for PCM bus. A reference design for PCM is shown below.



**Figure 39: Reference Design for PCM**

### 3.11.4. AT Command

There are two AT commands for the configuration of PCM: **AT+QPCMON** and **AT+QPCMVOL**. Details are illustrated below.

- **AT+QPCMON** is used to configure the operating mode of PCM

Command format: **AT+QPCMON=mode, Sync\_Type, Sync\_Length, SignExtension, MSBFirst**

**Table 23: AT+QPCMON Command Parameter Configuration**

| Parameter      | Value Range | Description   |
|----------------|-------------|---|
| Mode           | 0; 2        | 0: Close PCM<br>2: Open PCM when audio talk is set up   |
| Sync_Type      | 0~1         | 0: Short frame synchronization<br>1: Long frame synchronization                                 |
| Sync_Length    | 1~8         | Programmable from 1bit to 8bits via software configuration in long frame synchronization format |
| Sign Extension | 0~1         | Not supported   |
| MSB First      | 0~1         | 0: MSB first<br>1: Not supported  |

- **AT+QPCMVOL** is used to configure the input and output volume of PCM.

Command format: **AT+QPCMVOL=vol\_pcm\_in, vol\_pcm\_out**



**Table 24: AT+QPCMVOL Command Parameter Configuration**

| Parameter   | Value Range | Description  |
|-------------|-------------|--|
| vol_pcm_in  | 0~32767     | Set the input volume   |
| vol_pcm_out | 0~32767     | Set the output volume<br>The voice may be distorted when this value exceeds 16384. |

### 3.12. (U)SIM Interfaces

MC60's (U)SIM interfaces circuitry meet GSM Phase 1 and GSM Phase 2+ specifications, and supports FAST 64kbps (U)SIM card (intended for use with a (U)SIM application tool-kit).

The (U)SIM card is powered by an internal regulator in the module. Both 1.8V/3.0V (U)SIM cards and Dual SIM Single Standby function are supported.

**Table 25: Pin Definition of (U)SIM Interfaces**

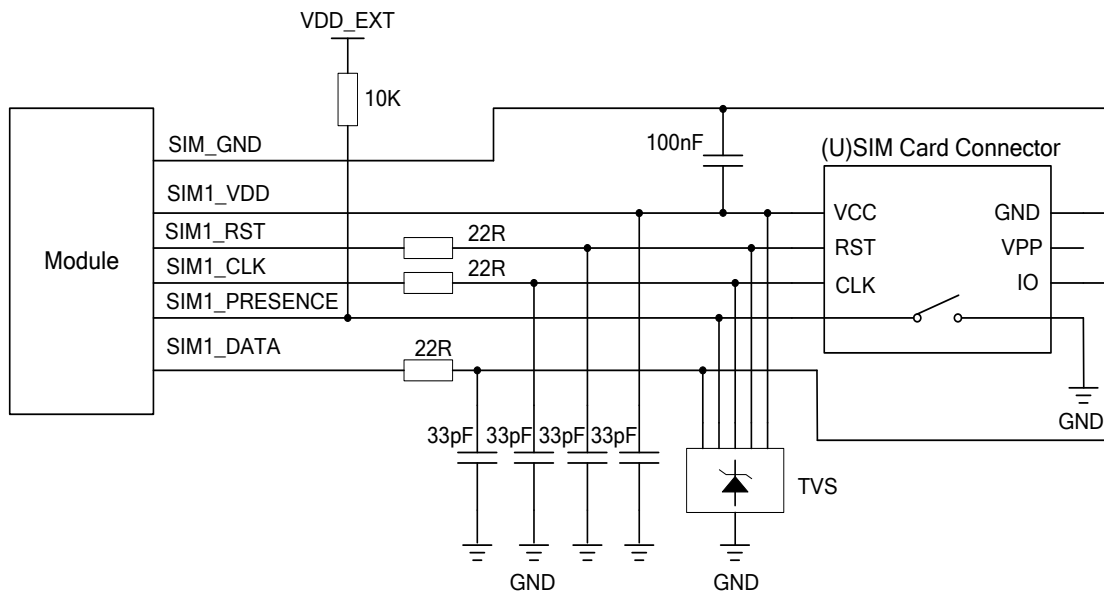
| Pin Name      | Pin No. | I/O | Description  | Multiplexing Function <sup>1)</sup> |
|---------------|---------|-----|--|-------------------------------------|
| SIM1_VDD      | 18      | PO  | Supply power for (U)SIM1 card.<br>Automatic detection of (U)SIM1 card voltage.<br>Voltage accuracy: 3.0V±5% and 1.8V±5%.<br>Maximum supply current is around 10mA. |                                     |
| SIM1_CLK      | 19      | DO  | Clock signal of (U)SIM1 card   |                                     |
| SIM1_DATA     | 21      | IO  | Data signal of (U)SIM1 card  |                                     |
| SIM1_RST      | 20      | DO  | Reset signal of (U)SIM1 card   |                                     |
| SIM1_PRESENCE | 37      | DI  | (U)SIM1 card insertion detection   | DTR                                 |
| SIM_GND       | 16      |     | Specified ground for (U)SIM card   |                                     |
| SIM2_VDD      | 13      | PO  | Supply power for (U)SIM2 card.<br>Automatic detection of (U)SIM2 card voltage.<br>Voltage accuracy: 3.0V±5% and 1.8V±5%.<br>Maximum supply current is around 10mA. |                                     |
| SIM2_CLK      | 10      | DO  | Clock signal of (U)SIM2 card   |                                     |
| SIM2_DATA     | 11      | IO  | Data signal of (U)SIM2 card  |                                     |

|          |    |    |                              |
|----------|----|----|------------------------------|
| SIM2_RST | 12 | DO | Reset signal of (U)SIM2 card |
|----------|----|----|------------------------------|

**NOTE**

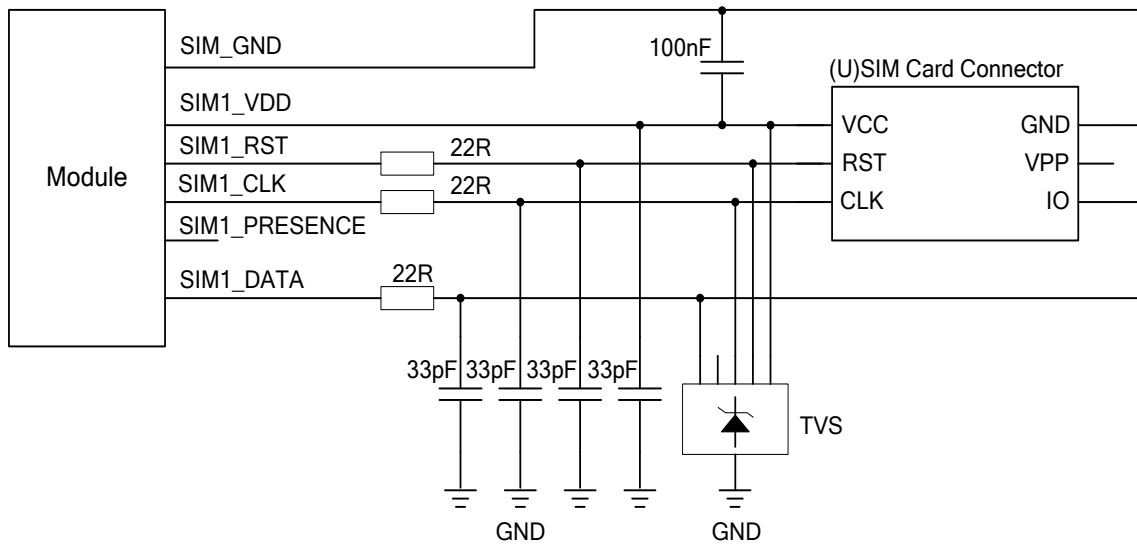
<sup>1)</sup> If several interfaces share the same I/O pin, to avoid conflict between these multiplexing functions, only one peripheral should be enabled at a time.

The following figure shows a reference design for (U)SIM1 interface with an 8-pin (U)SIM card connector.



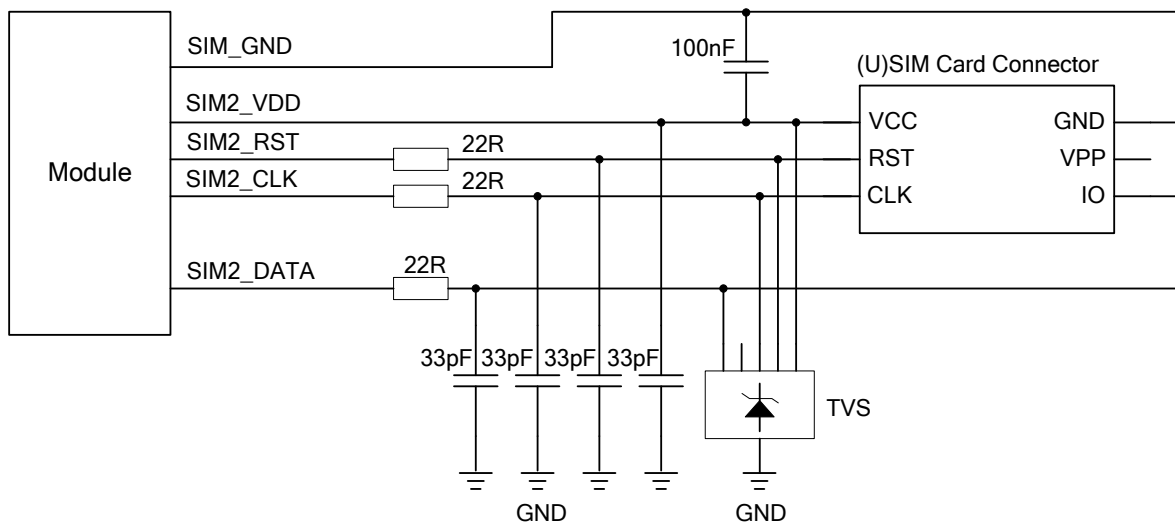
**Figure 40: Reference Circuit for (U)SIM1 Interface with an 8-Pin (U)SIM Card Connector**

If (U)SIM1 card insertion detection function is not used, keep pin SIM1\_PRESENCE unconnected. A reference circuit for (U)SIM1 interface with a 6-pin (U)SIM card connector is illustrated in the following figure.



**Figure 41: Reference Circuit for (U)SIM1 Interface with a 6-Pin (U)SIM Card Connector**

The following figure shows a reference design for (U)SIM2 interface with a 6-pin (U)SIM card connector.



**Figure 42: Reference Circuit for (U)SIM2 Interface with a 6-Pin (U)SIM Card Connector**

In order to enhance the reliability and availability of the (U)SIM card in applications, please follow the criteria below in (U)SIM circuit design:

- Keep the placement of (U)SIM card connector as close as possible to the module. Keep the trace length as less than 200mm as possible.
- Keep (U)SIM card signals away from RF and VBAT traces.
- Assure the trace between the ground of module and that of (U)SIM card connector is short and wide. Keep the trace width of ground no less than 0.5mm to maintain the same electric potential. The

decouple capacitor between SIM\_VDD and GND should be not more than 1 $\mu$ F and be placed close to the (U)SIM card connector.

- To avoid cross talk between SIM\_DATA and SIM\_CLK, keep them away from each other and shield them separately with surrounded ground.
- In order to offer good ESD protection, it is recommended to add a TVS diode array whose parasitic capacitance should be not more than 50pF. The ESD protection device should be placed as close to (U)SIM card connector as possible, and make sure the (U)SIM card signal lines go through the ESD protection device first from (U)SIM card connector and then to the module. The 22 $\Omega$  resistors should be connected in series between the module and the (U)SIM card connector so as to suppress EMI spurious transmission and enhance ESD protection. Please note that the (U)SIM peripheral circuit should be close to the (U)SIM card connector.
- The pull-up resistor on SIM\_DATA line can improve anti-jamming capability when long layout trace and sensitive occasion are applied, and should be placed close to the (U)SIM card connector.

### 3.13. SD Card Interface

The module provides an SD card interface that supports many types of memory such as Memory Stick, SD/MCC card and T-Flash (or Micro SD) card. The following are the main features of SD card interface.

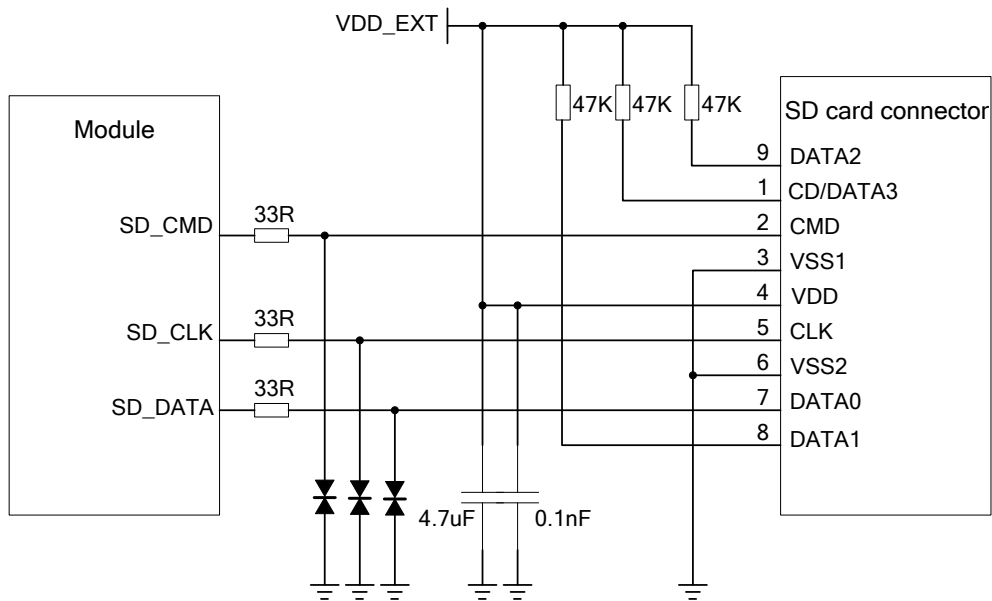
- Only support 1bit serial mode
- Not support the SPI mode for SD memory card
- Not support multiple SD memory cards
- Not support hot plug
- The data rate up to 48MHz in serial mode
- Support memory cards with maximum capacity up to 32GB

With the SD card interface features and reference circuit shown as below, customers can easily design the SD card application circuit to enhance the memory capacity of the module. Users can store some high-capacity files to SD card. For instance, in automobile application system, the module can record and store the audio files to the SD card, and also can play the audio files in SD card.

**Table 26: Pin Definition of SD Card Interface**

| Pin Name | Pin No. | I/O | Description               |
|----------|---------|-----|---------------------------|
| SD_CMD   | 7       | DO  | Command signal of SD card |
| SD_CLK   | 8       | DO  | Clock signal of SD card   |
| SD_DATA  | 9       | IO  | Data signal of SD card    |

A reference design for SD card interface is shown below.



**Figure 43: Reference Circuit for SD Card Interface**

**Table 27: Pin Definition of SD Card and T-Flash (Micro SD) Card**

| Pin No. | Pin Name of SD Card | Pin Name of T-Flash (Micro SD) Card |
|---------|---------------------|-------------------------------------|
| 1       | CD/DATA3            | DATA2                               |
| 2       | CMD                 | CD/DATA3                            |
| 3       | VSS1                | CMD                                 |
| 4       | VDD                 | VDD                                 |
| 5       | CLK                 | CLK                                 |
| 6       | VSS2                | VSS                                 |
| 7       | DATA0               | DATA0                               |
| 8       | DATA1               | DATA1                               |
| 9       | DATA2               |                                     |

In order to enhance the reliability and availability of the SD card in applications, please follow the criteria below in SD card circuit design:

- Keep all the SD card signals far away from RF and VBAT traces.
- Make sure the length of SD card signal lines does not exceed 10cm and be as short as possible.
- The traces of SD\_CLK, SD\_DATA and SD\_CMD are recommended to be routed together and be of equal length; the length difference should be less than 10mm.
- In order to offer good ESD protection, it is recommended to add a TVS diode array whose parasitic capacitance should be not more than 50pF, and should be placed as close as possible to the SD card connector.
- Reserve external pull-up resistors for other data lines except the DATA0 signal.
- The SD\_CLK and SD\_DATA traces are recommended to be shielded by ground in order to improve EMI suppression capability and prevent the crosstalk.

### 3.14. ADC

The module provides an ADC input channel to measure the value of voltage. Please give priority to the use of ADC channel. Command **AT+QADC** can read the voltage value applied on ADC pin. For details of this AT command, please refer to **document [1]**. In order to improve the accuracy of ADC, the layout of ADC should be surrounded by ground.

**Table 28: Pin Definition of ADC Interface**

| Pin Name | Pin No. | I/O | Description                 |
|----------|---------|-----|-----------------------------|
| ADC      | 6       | AI  | Analog-to-digital converter |

**Table 29: Characteristics of ADC**

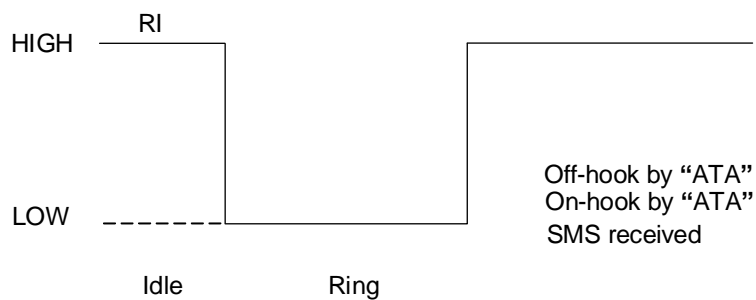
| Item           | Min. | Typ. | Max. | Unit |
|----------------|------|------|------|------|
| Voltage Range  | 0    |      | 2.8  | V    |
| ADC Resolution |      | 10   |      | bits |
| ADC Accuracy   |      | 2.7  |      | mV   |

### 3.15. Behaviors of RI

**Table 30: Behaviors of RI**

| State      | RI Response   |
|------------|---|
| Standby    | HIGH  |
| Voice Call | <p>Change to LOW, and then:</p> <ul style="list-style-type: none"> <li>● Change to HIGH when call is established.</li> <li>● Change to HIGH when use ATH to hang up the call.</li> <li>● Change to HIGH first when calling part hangs up and then change to LOW for 120ms indicating “NO CARRIER” as an URC. After that, RI changes to HIGH again.</li> <li>● Change to HIGH when SMS is received.</li> </ul> |
| SMS        | When a new SMS comes, the RI changes to LOW and holds low level for about 120ms, and then changes to HIGH.  |
| URC        | Certain URCs can trigger 120ms low level on RI.   |

If the module is used as a caller, the RI would maintain high except when the URC or SMS is received. When it is used as a receiver, the timing of RI is shown below.



**Figure 44: RI Behavior as a Receiver When Voice Calling**

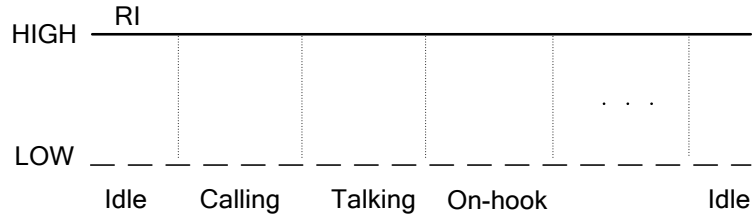


Figure 45: RI Behavior as a Caller

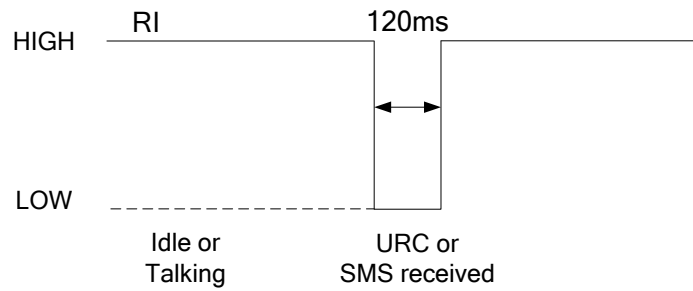


Figure 46: RI Behavior When URC or SMS Received

### 3.16. Network Status Indication

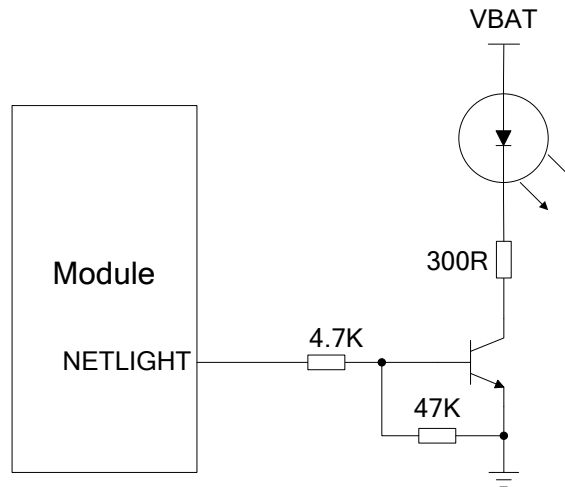
The NETLIGHT signal can be used to drive a network status indicator LED. The working state of this pin is listed in the following table.

Table 31: Working State of NETLIGHT

| State              | Module Function  |
|--------------------|--|
| OFF                | The module is not running.                               |
| 64ms ON/800ms OFF  | The module is not synchronized with network.             |
| 64ms ON/2000ms OFF | The module is synchronized with network.                 |
| 64ms ON/600ms OFF  | GPRS data transmission after dialing the PPP connection. |



A reference circuit is shown as below.



**Figure 47: Reference Design for NETLIGHT**

### 3.17. EASY™ Autonomous AGPS Technology

Supplying aiding information like ephemeris, almanac, rough last position, time and satellite status, can help improve the acquisition sensitivity and the TTFF for a module. This is called as EASY™ technology and MC60's GNSS part supports it.

EASY™ technology works as embedded software which can accelerate TTFF by predicting satellite navigation messages from received ephemeris. The GNSS part will calculate and predict orbit information automatically up to 3 days after first receiving the broadcast ephemeris, and save the predicted information into the internal memory. GNSS part of MC60 will use the information for positioning if no enough information from satellites, so the function is helpful for positioning and TTFF improvement.

The EASY™ function can reduce TTFF to 5s in warm start. In this case, GNSS's backup domain should be valid. In order to gain enough broadcast ephemeris information from GNSS satellites; the GNSS part should receive the information for at least 5 minutes in good signal conditions after it fixes the position.

EASY™ function is enabled by default. Command "\$PMTK869,1,0\*34" can be used to disable EASY™ function. For more details, please refer to **document [14]**.

#### NOTE

In **All-in-one** solution, make sure the GNSS part is powered on before sending the PMTK command.

### 3.18. EPO Offline AGPS Technology

MC60 features a function called EPO™ (Extended Prediction Orbit) which is a world leading technology. When MC60 is powered on, EPO™ function can be enabled via AT command **AT+QGNSSEPO=1**. When the GSM part detected that the EPO data has expired, the EPO data will be automatically downloaded to the GSM part's FS from MTK server via GSM/GPRS network; and the GNSS part will get the EPO data via build-in GNSS command from GSM's FS when it detected that the local EPO data has expired. When there is no local EPO data or when the data has expired, MC60 will download the data (4KB) for 6 hours' orbit predictions in order to achieve cold start in the shortest time, and then continue to download the EPO data (96KB) for 6 days (3 days+ 3 days). The technology allows the module to realize fast positioning. Command **AT+QGNSSEPO=0** can be used to turn off the EPO™ function. For more details, please refer to **document [14]**.

#### NOTE

Make sure the EPO™ function is enabled if customers need to download the EPO data.

### 3.19. QuecFastFix Online Technology

QuecFastFix Online function can be used in combination with EPO™ technology to further improve TTFF and acquisition sensitivity in cold start. Based on the latest EPO data, QuecFastFix Online additionally offers adding information such as reference-location and NITZ/NTP time, which shortens TTFF to only several seconds (approx. 4.5s) in cold start. The function makes the cold start TTFF comparable to that in hot start. For more details, please refer to **document [14]**.

### 3.20. Multi-tone AIC

MC60 has a function called multi-tone AIC (Active Interference Cancellation) to decrease harmonic of RF noise from Wi-Fi, GSM, 3G and 4G.

Up to 12 multi-tone AIC embedded in the module can provide effective narrow-band interference and jamming elimination. The GNSS signal could be demodulated from the jammed signal, which can ensure better navigation quality. AIC function is enabled by default. Enabling AIC function will increase current consumption by about 1mA @VCC=3.3V. The following commands can be used to set AIC function.

Enable AIC function: \$PMTK 286,1\*23

Disable AIC function: \$PMTK 286,0\*22

**NOTE**

In **All-in-one** solution, make sure the GNSS part is powered on before sending these PMTK commands.

### 3.21. LOCUS

MC60 supports the embedded logger function called LOCUS. When enabled by PMTK command "\$PMTK185, 0\*22", the function allows the module to log GNSS data to internal flash memory automatically without the need to wake up host, and thus, the module can enter into Sleep mode to save power consumption, and does not need to receive NMEA information all the time. MC60 provides a log capacity of more than 16 hours.

The detail procedures of this function are illustrated below:

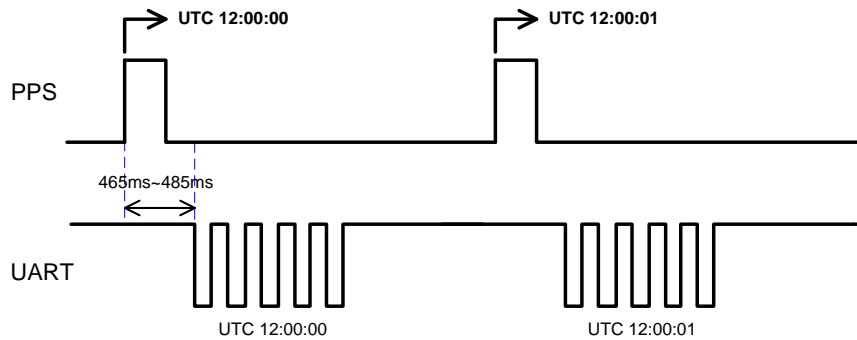
- The module has fixed the position (only effective in 3D\_fixed scenario).
- Sending PMTK command "\$PMTK184,1\*22" to erase internal flash.
- Sending PMTK command "\$PMTK185,0\*22" to start logging.
- The module logs the basic information (UTC time, latitude, longitude and height) every 15 seconds to internal flash memory.
- Stop logging the information by sending PMTK command "\$PMTK185,1\*23".
- MCU can get the data by sending PMTK command "\$PMTK622,1\*29" to the module.

PMTK Command "\$PMTK183\*38" can be used to query the state of LOCUS.

The raw data which MCU gets has to be parsed via LOCUS parser code provided by Quectel. For more details, please contact Quectel technical supports.

### 3.22. PPS VS. NMEA

Pulse per Second (PPS) VS. NMEA can be used for time service. The latency range of the beginning of UART Tx is between 465ms and 485ms, and after the rising edge of PPS.



**Figure 48: PPS VS. NMEA Timing**

The feature only supports 1Hz NMEA output and baud rate at 14400bps~115200bps. When the baud rate is 9600bps or 4800bps, it only supports RMC NMEA sentence output. Because at low baud rates, per second transmission may exceed one second if there are many NMEA sentences output. Customers can enable this function by sending "\$PMTK255,1\*2D", and disable the function by sending "\$PMTK255,0\*2C".

**NOTE**

In **All-in-one** solution, the GNSS UART port has a fixed baud rate, and it is 115200bps by default.

# 4 Antenna Interfaces

MC60 has three antenna interfaces which are used for GSM antenna, GNSS antenna and BT antenna, respectively. The pin 41 is the GSM antenna pad; the pin 15 is the GNSS antenna pad; and pin 32 is the BT antenna pad. The RF interface of the three antenna pads has an impedance of 50Ω.

## 4.1. GSM Antenna Interface

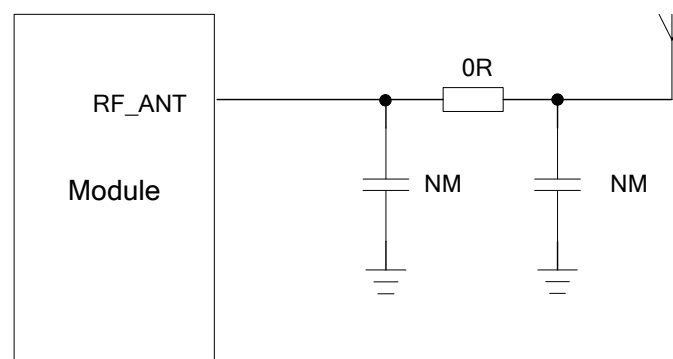
There is a GSM antenna pad named RF\_ANT for MC60, and the pin definition is as following table.

**Table 32: Pin Definition of RF\_ANT**

| Pin Name | Pin No. | I/O | Description     |
|----------|---------|-----|-----------------|
| RF_ANT   | 41      | IO  | GSM antenna pad |
| GND      | 42      |     | Ground          |

### 4.1.1. Reference Design

The external antenna must be matched properly to achieve the best performance; so the matching circuit is necessary. A reference design for GSM antenna is shown below.



**Figure 49: Reference Design for GSM Antenna**

MC60 provides an RF antenna pad for antenna connection. The RF trace in host PCB connected to the module's RF antenna pad should be coplanar waveguide line or microstrip line, whose characteristic impedance should be close to 50Ω. MC60 comes with grounding pads which are next to the antenna pad in order to give a better grounding. Besides, a π type matching circuit is suggested to be used to adjust the RF performance.

To minimize the loss on RF trace and RF cable, please pay attention to the design. The following table shows the requirements on GSM antenna.

**Table 33: Antenna Cable Requirements**

| Type            | Requirements                |
|-----------------|-----------------------------|
| GSM850/EGSM900  | Cable insertion loss <1dB   |
| DCS1800/PCS1900 | Cable insertion loss <1.5dB |

**Table 34: Antenna Requirements**

| Type                 | Requirements  |
|----------------------|---|
| Frequency Range      | Low frequency band: 820MHz~960MHz<br>Medium frequency band: 1710MHz~1990MHz |
| VSWR                 | ≤2  |
| Gain (dBi)           | 1   |
| Max. Input Power (W) | 50  |
| Input Impedance (Ω)  | 50  |
| Polarization Type    | Vertical  |

#### 4.1.2. RF Output Power

**Table 35: RF Output Power**

| Frequency | Max.      | Min.     |
|-----------|-----------|----------|
| GSM850    | 33dBm±2dB | 5dBm±5dB |
| EGSM900   | 33dBm±2dB | 5dBm±5dB |

|         |           |          |
|---------|-----------|----------|
| DCS1800 | 30dBm±2dB | 0dBm±5dB |
| PCS1900 | 30dBm±2dB | 0dBm±5dB |

**NOTE**

In GPRS 4 slots TX mode, the maximum output power is reduced by 2.5dB. This design conforms to the GSM specification as described in **Chapter 13.16** of *3GPP TS 51.010-1*.

### 4.1.3. RF Receiving Sensitivity

Table 36: RF Receiving Sensitivity

| Frequency | Receive Sensitivity |
|-----------|---------------------|
| GSM850    | < -110dBm           |
| EGSM900   | < -110dBm           |
| DCS1800   | < -109dBm           |
| PCS1900   | < -109dBm           |

### 4.1.4. Operating Frequencies

Table 37: Operating Frequencies

| Frequency | Receive         | Transmit        | ARFCH              |
|-----------|-----------------|-----------------|--------------------|
| GSM850    | 869MHz~894MHz   | 824MHz~849MHz   | 128~251            |
| EGSM900   | 925MHz~960MHz   | 880MHz~915MHz   | 0~124;<br>975~1023 |
| DCS1800   | 1805MHz~1880MHz | 1710MHz~1785MHz | 512~885            |
| PCS1900   | 1930MHz~1990MHz | 1850MHz~1910MHz | 512~810            |

### 4.1.5. RF Cable Soldering

Soldering the RF cable to RF pad of module correctly will reduce the loss on the path of RF. Please refer to the following example of RF cable soldering.

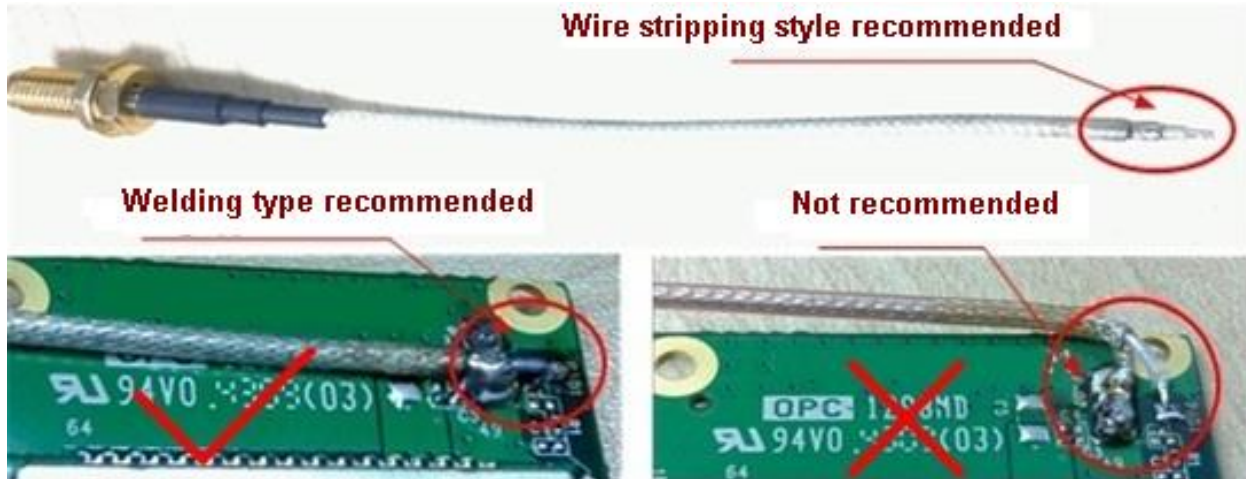


Figure 50: RF Cable Soldering Sample

## 4.2. GNSS Antenna Interface

The GNSS part of MC60 supports both GPS and GLONASS systems. The RF signal is obtained from the GNSS\_ANT pin. The impedance of RF trace should be controlled as 50Ω, and the trace length should be kept as short as possible.

### 4.2.1. Antenna Specifications

The module can be connected to a dedicated GPS/GLONASS passive or active antenna to receive GPS/GLONASS satellite signals. The recommended antenna specifications are given in the following table.

Table 38: Recommended Antenna Specifications

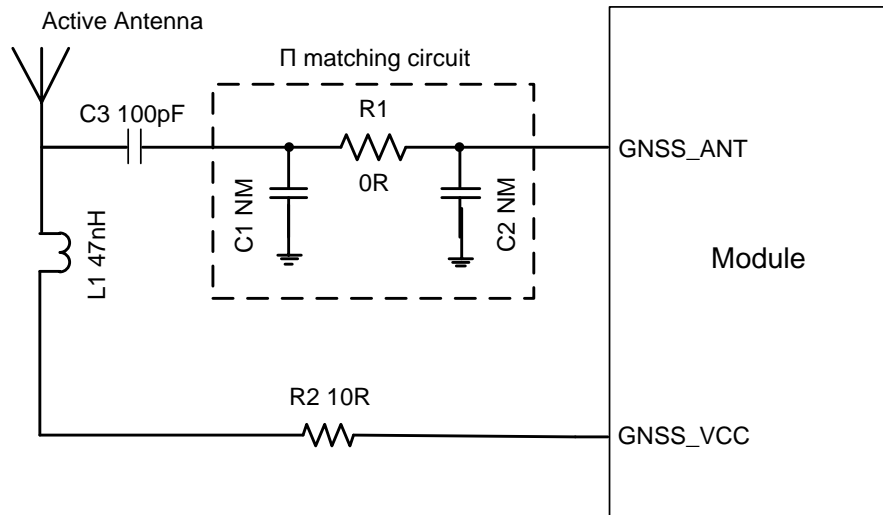
| Antenna Type | Specifications  |
|--------------|---|
| GNSS         | Frequency band: 1559MHz~1609MHz<br>Polarization: RHCP or Linear<br>VSWR: < 2 (Typ.)<br>Passive antenna gain: > 0dBi |



Active antenna noise figure: < 1.5dB  
Active antenna gain: > 0dBi  
Active antenna embedded LNA gain: ≤ 17dB

#### 4.2.2. Active Antenna

The following figure is a typical reference design with active antenna. In this mode, the antenna is powered by GNSS\_VCC.



**Figure 51: Reference Design with Active Antenna**

C1, R1 and C2 are reserved matching circuit for antenna impedance modification. By default, C1 and C2 are not mounted; R1 is 0Ω.

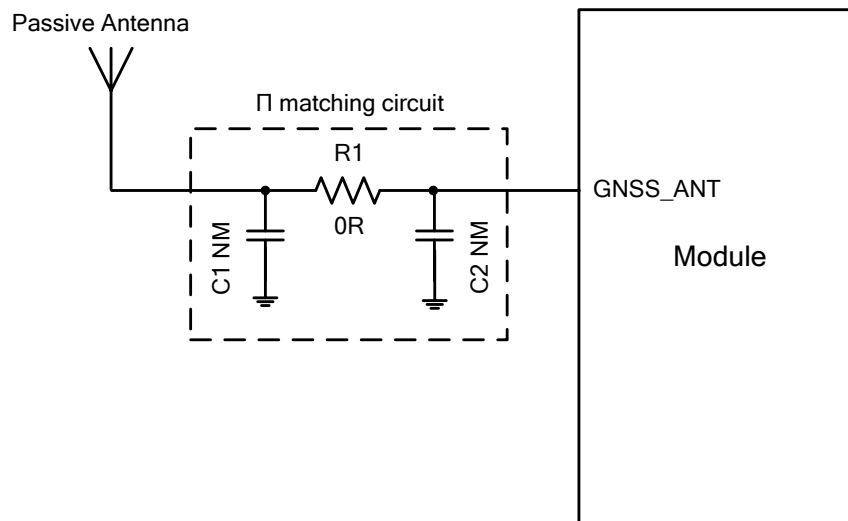
The external active antenna is powered by GNSS\_VCC. The voltage ranges from 2.8V to 4.3V, and the typical value is 3.3V. If the voltage does not meet the requirements for powering the active antenna, an external LDO should be used.

The inductor L1 is used to prevent the RF signal from leaking into the GNSS\_VCC pin and route the bias supply to the active antenna, and the recommended value of L1 is no less than 47nH. R2 can protect the whole circuit in case the active antenna is shorted to ground.

#### NOTE

In **All-in-one** solution, please note that the power supply of GNSS\_VCC is controlled by the GSM part via AT command.

### 4.2.3. Passive Antenna



**Figure 52: Reference Design with Passive Antenna**

The above figure is a typical reference design with passive antenna.

C1, R1 and C2 are reserved matching circuit for antenna impedance modification. C1 and C2 are not mounted by default; R1 is 0Ω. Impedance of RF trace should be controlled as 50Ω and the trace length should be kept as short as possible.

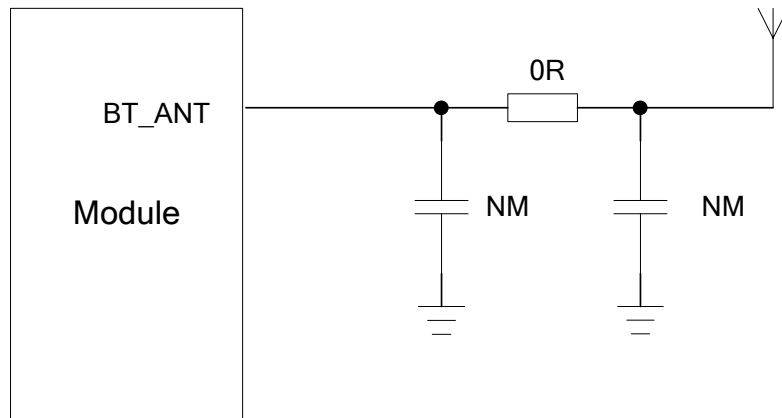
### 4.3. Bluetooth Antenna Interface

The module provides a Bluetooth antenna pad named BT\_ANT, and the pin definition is listed below.

**Table 39: Pin Definition of BT\_ANT**

| Pin Name | Pin No. | I/O | Description    |
|----------|---------|-----|----------------|
| BT_ANT   | 32      | IO  | BT antenna pad |
| GND      | 31      |     | Ground         |

The external antenna must be matched properly to achieve the best performance. Therefore, it is recommended to reserve a matching circuit. The antenna connection reference circuit is shown below.



**Figure 53: Reference Design for Bluetooth Antenna**

There are some suggestions for component placement and RF trace layout for Bluetooth RF traces:

- Antenna matching circuit should be closed to the antenna;
- The impedance of RF trace should be controlled as  $50\Omega$ ;
- The RF traces should be kept far away from the high frequency signals and strong disturbing source.

# 5 Electrical, Reliability and Radio Characteristics

## 5.1. Absolute Maximum Ratings

Absolute maximum ratings for power supply and voltage on digital and analog pins of the module are listed in the following table:

**Table 40: Absolute Maximum Ratings**

| Parameter   | Min.  | Max.  | Unit |
|---|-------|-------|------|
| VBAT  | -0.3  | +4.73 | V    |
| GNSS_VCC  | -0.3  | +4.5  | V    |
| Peak Current of Power Supply (VBAT)                       | 0     | 2     | A    |
| RMS Current of Power Supply (VBAT, during one TDMA-frame) | 0     | 0.7   | A    |
| Voltage at Digital Pins                                   | -0.3  | 3.08  | V    |
| Voltage at Analog Pins                                    | -0.3  | 3.08  | V    |
| Voltage at Digital/analog Pins in Power Down Mode         | -0.25 | 0.25  | V    |

## 5.2. Operation and Storage Temperatures

The following table lists the operation and storage temperatures of the module.

**Table 41: Operation Temperature**

| Parameter                                 | Min. | Typ. | Max. | Unit |
|---|------|------|------|------|
| Operation Temperature Range <sup>1)</sup> | -35  | +25  | +75  | °C   |
| Extended Temperature Range <sup>2)</sup>  | -40  |      | +85  | °C   |
| Storage Temperature Range                 | -40  |      | +90  | °C   |

### NOTES

- <sup>1)</sup> Within operation temperature range, the module is 3GPP compliant.
- <sup>2)</sup> Within extended temperature range, the module remains the ability to establish and maintain a voice, SMS, data transmission, emergency call, etc. There is no unrecoverable malfunction. There are also no effects on radio spectrum and no harm to radio network. Only one or more parameters like  $P_{out}$  might reduce in their value and exceed the specified tolerances. When the temperature returns to normal operation temperature levels, the module will meet 3GPP specifications again.

## 5.3. Power Supply Ratings

**Table 42: Power Supply Ratings of GSM Part (GNSS is Powered off)**

| Parameter         | Description                            | Conditions  | Min. | Typ. | Max. | Unit |
|-------------------|--|---|------|------|------|------|
| VBAT              | Supply voltage                         | The actual input voltages must stay between the minimum and maximum values. | 3.3  | 4.0  | 4.6  | V    |
|                   | Voltage drop during transmitting burst | Maximum power control level on GSM850 and EGSM900.                          |      |      | 400  | mV   |
| I <sub>VBAT</sub> | Average supply current                 | Power down mode   |      | 220  |      | uA   |
|                   |  | Sleep mode @DRX=5   |      | 1.2  |      | mA   |

|  |  |  |                       |     |
|--|--|--|-----------------------|-----|
| Minimum functionality mode                     |  |  |                       |     |
| <b>AT+CFUN=0</b>                               |  |  |                       |     |
|  | IDLE mode  |  | 13                    | mA  |
|  | Sleep mode   |  | 0.68                  | mA  |
| <b>AT+CFUN=4</b>                               |  |  |                       |     |
|  | IDLE mode  |  | 13                    | mA  |
|  | Sleep mode   |  | 0.73                  | mA  |
| TALK mode                                      |  |  |                       |     |
|  | GSM850/EGSM900 <sup>1)</sup>                       |  | 208/209               | mA  |
|  | DCS1800/PCS1900 <sup>2)</sup>                      |  | 142/146               | mA  |
| DATA mode, GPRS (3Rx, 2Tx)                     |  |  |                       |     |
|  | GSM850/EGSM900 <sup>1)</sup>                       |  | 359/360               | mA  |
|  | DCS1800/PCS1900 <sup>2)</sup>                      |  | 232/250               | mA  |
| DATA mode, GPRS (2 Rx, 3Tx)                    |  |  |                       |     |
|  | GSM850/EGSM900 <sup>1)</sup>                       |  | 431/413               | mA  |
|  | DCS1800/PCS1900 <sup>2)</sup>                      |  | 311/339               | mA  |
| DATA mode, GPRS (4 Rx, 1Tx)                    |  |  |                       |     |
|  | GSM850/EGSM900 <sup>1)</sup>                       |  | 215/153               | mA  |
|  | DCS1800/PCS1900 <sup>2)</sup>                      |  | 153/162               | mA  |
| DATA mode, GPRS (1Rx, 4Tx)                     |  |  |                       |     |
|  | GSM850/EGSM900 <sup>1)</sup>                       |  | 499/469 <sup>3)</sup> | mA  |
|  | DCS1800/PCS1900 <sup>2)</sup>                      |  | 392/427               | mA  |
| Peak supply current (during transmission slot) | Maximum power control level on GSM850 and EGSM900. |  | 1.6                   | 2 A |

#### NOTES

- <sup>1)</sup> Power control level PCL 5.
- <sup>2)</sup> Power control level PCL 0.
- <sup>3)</sup> Under the EGSM900 spectrum, the maximum power of 1Rx and 4Tx is reduced.

**Table 43: Power Supply Ratings of GNSS Part**

| Parameter | Description    | Conditions  | Min. | Typ. | Max. | Unit |
|-----------|----------------|---|------|------|------|------|
| GNSS_VCC  | Supply voltage | The actual input voltages must stay between the minimum and maximum values. | 2.8  | 3.3  | 4.3  | V    |

|                 |                              |          |     |     |     |
|-----------------|------------------------------|----------|-----|-----|-----|
| $I_{VCCP}^{1)}$ | Peak supply current          | VCC=3.3V |     | 150 | mA  |
| VRTC            | Backup domain voltage supply |          | 1.5 | 2.8 | 3.3 |
|                 |                              |          |     |     | V   |

**NOTE**

<sup>1)</sup> This figure can be used to determine the maximum current capability of power supply.

## 5.4. Current Consumption

**Table 44: Current Consumption of GSM Part (GNSS is Powered off)**

| Condition                            | Current Consumption   |
|--------------------------------------|---|
| <b>Voice Call</b>                    |   |
| GSM850                               | @power level #5 <300mA, typical 215mA<br>@power level #12, typical 93mA<br>@power level #19, typical 72mA |
| EGSM900                              | @power level #5 <300mA, typical 216mA<br>@power level #12, typical 93mA<br>@power level #19, typical 71mA |
| DCS1800                              | @power level #0 <250mA, typical 144mA<br>@power level #7, typical 80mA<br>@power level #15, typical 69mA  |
| PCS1900                              | @power level #0 <250mA, typical 149mA<br>@power level #7, typical 80mA<br>@power level #15, typical 69mA  |
| <b>GPRS Data</b>                     |   |
| DATA Mode, GPRS (3 Rx, 2Tx) CLASS 12 |   |
| GSM850                               | @power level #5 <550mA, typical 373mA   |
| EGSM900                              | @power level #5 <550mA, typical 373mA   |
| DCS1800                              | @power level #0 <450mA, typical 240mA   |
| PCS1900                              | @power level #0 <450mA, typical 259mA   |
| DATA Mode, GPRS (2 Rx, 3Tx) CLASS 12 |   |

GSM850 @power level #5 <640mA, typical 437mA

EGSM900 @power level #5 <600mA, typical 424mA

DCS1800 @power level #0 <490mA, typical 323mA

PCS1900 @power level #0 <480mA, typical 351mA

DATA Mode, GPRS (4 Rx, 1Tx) CLASS 12

GSM850 @power level #5 <350mA, typical 221mA

EGSM900 @power level #5 <350mA, typical 221mA

DCS1800 @power level #0 <300mA, typical 155mA

PCS1900 @power level #0 <300mA, typical 166mA

DATA Mode, GPRS (1 Rx, 4Tx) CLASS 12

GSM850 @power level #5 <600mA, typical 504mA

EGSM900 @power level #5 <600mA, typical 481mA

DCS1800 @power level #0 <500mA, typical 410mA

PCS1900 @power level #0 <500mA, typical 445mA

**NOTE**

GPRS Class 12 is the default setting. The GSM module can be configured from GPRS Class 1 to Class 12. Setting to lower GPRS class would make it easier to design the power supply for the GSM module.

**Table 45: Current Consumption of GNSS Part**

| Parameter                     | Conditions              | Typ. | Unit |
|-------------------------------|-------------------------|------|------|
| I <sub>VCC</sub> @Acquisition | @VCC=3.3V (GPS)         | 25   | mA   |
| I <sub>VCC</sub> @Tracking    | @VCC=3.3V (GPS)         | 19   | mA   |
| I <sub>VCC</sub> @Acquisition | @VCC=3.3V (GPS+GLONASS) | 29   | mA   |
| I <sub>VCC</sub> @Tracking    | @VCC=3.3V (GPS+GLONASS) | 22   | mA   |
| I <sub>VCC</sub> @Standby     | @VCC=3.3V               | 0.3  | mA   |



|                           |              |    |    |
|---------------------------|--------------|----|----|
| I <sub>BCKP</sub> @backup | @V_BCKP=3.3V | 14 | uA |
|---------------------------|--------------|----|----|

**NOTE**

The tracking current is tested in following conditions:

- For Cold Start, 10 minutes after First Fix.
- For Hot Start, 15 seconds after First Fix.

**Table 46: BT Current Consumption of MC60 Module**

| GSM State | BT State | Current Consumption |
|-----------|----------|---------------------|
| IDLE      | IDLE     | 13.02mA             |
| IDLE      | SCAN     | 32.4mA              |
| IDLE      | CONNECT  | 19.08mA             |
| SLEEP     | IDLE     | 1.31mA              |
| SLEEP     | CONNECT  | 12.6mA              |

**NOTES**

1. When the GSM of MC60 module is in sleep mode, Bluetooth cannot enter into the SCAN mode.
2. The BT current consumption in above table is for MC60 of OC **MC60CA-04-STD**.

**Table 47: BT Current Consumption of MC60E Module**

| RF State   | GSM State | BT State    | Current Consumption |
|--|-----------|-------------|---------------------|
| Full function ( <b>AT+CFUN=1</b> )   | IDLE      | Off         | 13.01mA             |
|  |           | Advertising | 13.59mA             |
|  | SLEEP     | Off         | 1.42mA              |
|  |           | Advertising | 2.06mA              |
| Disable from both transmitting and receiving RF signals ( <b>AT+CFUN=4</b> ) | IDLE      | Off         | 12.51mA             |
|  |           | Advertising | 13.08mA             |
|  | SLEEP     | Off         | 0.7mA               |
|  |           | Advertising | 1.32mA              |
| Minimum function ( <b>AT+CFUN=0</b> )  | IDLE      | Off         | 12.47mA             |
|  |           | Advertising | 13.04mA             |

|       |             |        |
|-------|-------------|--------|
| SLEEP | Off         | 0.64mA |
|       | Advertising | 1.26mA |

**NOTE**

The data is tested when turning off traditional Bluetooth and advertising BLE only.

## 5.5. Electrostatic Discharge

The module is not protected against electrostatics discharge (ESD) in general. Consequently, it is subject to ESD handling precautions that typically apply to ESD sensitive components. Proper ESD handling and packaging procedures must be applied throughout the processing, handling and operation of any application that incorporates the module.

The following table shows the module's electrostatic discharge characteristics.

**Table 48: Electrostatic Discharge Characteristics (25°C, 45% Relative Humidity)**

| Test Point            | Contact Discharge | Air Discharge |
|-----------------------|-------------------|---------------|
| VBAT, GND             | +/-5KV            | +/-10KV       |
| RF_ANT                | +/-5KV            | +/-10KV       |
| TXD, RXD              | +/-2KV            | +/-4KV        |
| GNSS_TXD,<br>GNSS_RXD | +/-2KV            | +/-4KV        |
| Others                | +/-0.5KV          | +/-1KV        |

# 6 Mechanical Dimensions

This chapter describes the mechanical dimensions of the module. All dimensions are measured in millimetre (mm), and the tolerances for dimensions without tolerance values are  $\pm 0.05\text{mm}$ .

## 6.1. Mechanical Dimensions of Module

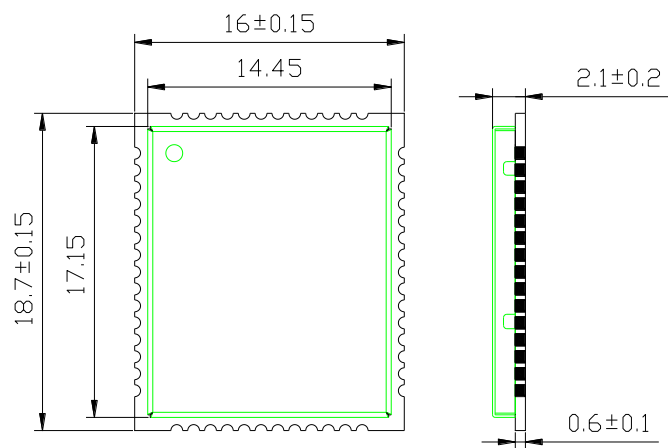


Figure 54: MC60 Top and Side Dimensions (Unit: mm)

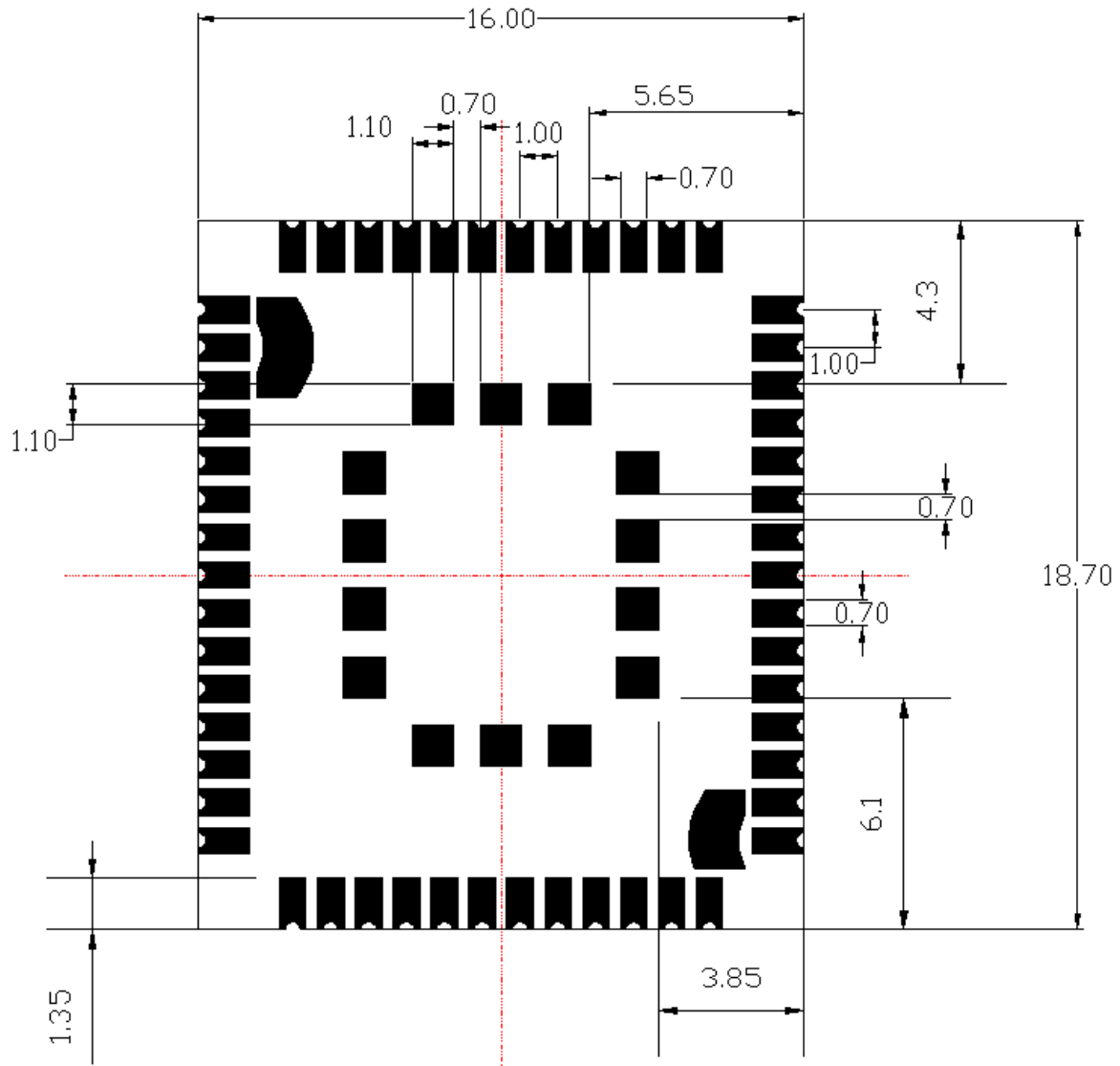


Figure 55: MC60 Bottom Dimensions (Unit: mm)

**NOTE**

The two arc test points in the above recommended footprint should be treated as keepout areas (“keepout” means do not pour copper on the mother board).

## 6.2. Recommended Footprint

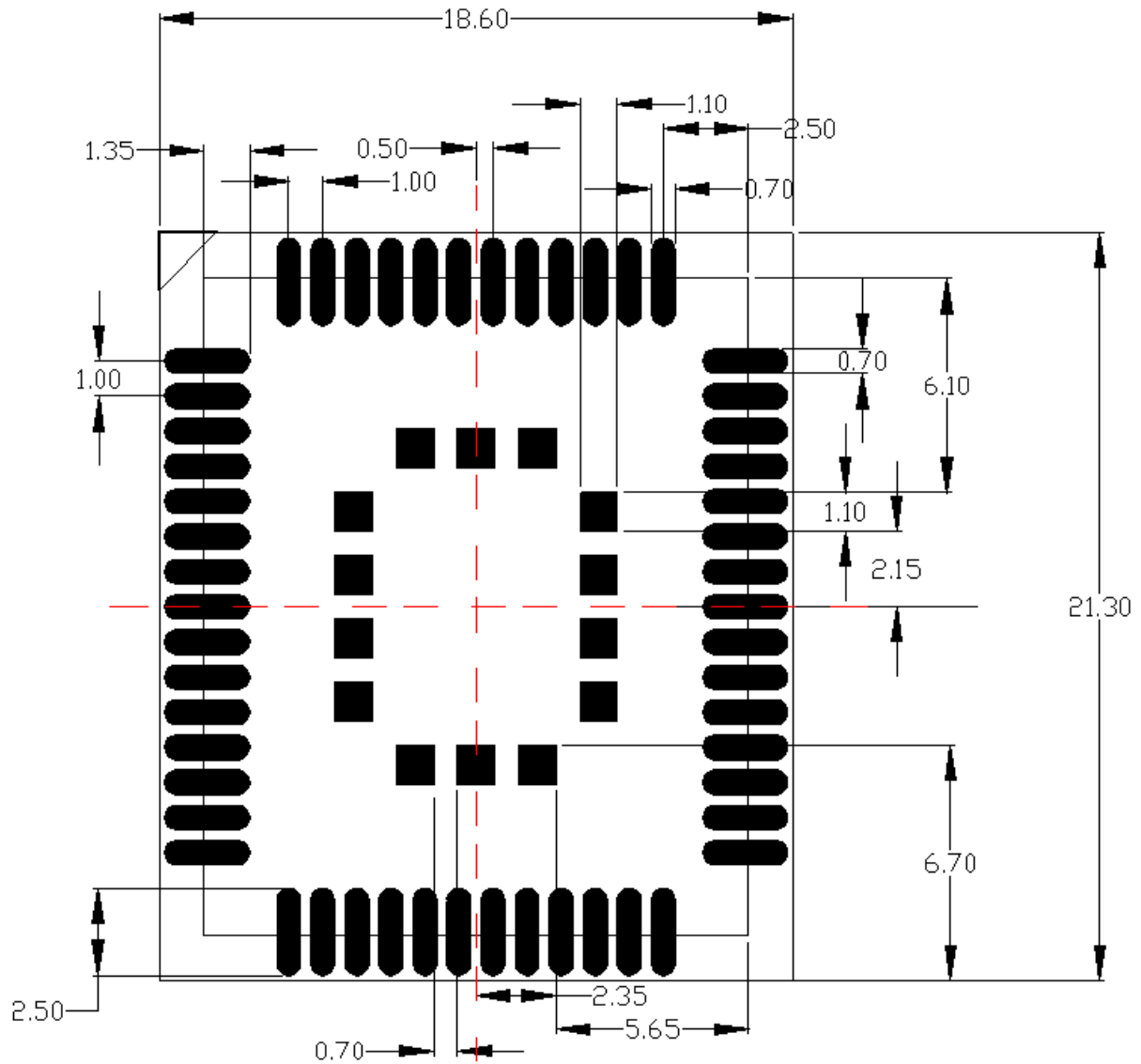


Figure 56: Recommended Footprint (Unit: mm)

### NOTE

For easy maintenance of the module, please keep about 3mm between the module and other components in the host PCB.

### 6.3. Top and Bottom Views of the Module



Figure 57: Top View of the Module

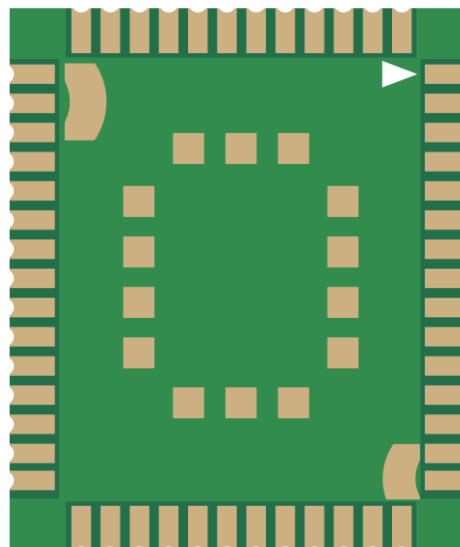


Figure 58: Bottom Views of the Module

**NOTE**

These are renderings of MC60 module. For authentic dimension and appearance, please refer to the module that you receive from Quectel.

# 7 Storage, Manufacturing and Packaging

## 7.1. Storage

MC60 is stored in a vacuum-sealed bag. It is rated at MSL 3, and storage restrictions are shown as below.

1. Shelf life in the vacuum-sealed bag: 12 months at <math><40^{\circ}\text{C}/90\%\text{RH}</math>.
2. After the vacuum-sealed bag is opened, devices that will be subjected to reflow soldering or other high temperature processes must be:
  - Mounted within 168 hours at the factory environment of  $\leq 30^{\circ}\text{C}/60\%\text{RH}$ .
  - Stored at <math><10\%\text{RH}</math>.
3. Devices require baking before mounting, if any circumstance below occurs.
  - When the ambient temperature is  $23^{\circ}\text{C}\pm 5^{\circ}\text{C}$  and the humidity indication card shows the humidity is >10% before opening the vacuum-sealed bag.
  - Device mounting cannot be finished within 168 hours at factory conditions of  $\leq 30^{\circ}\text{C}/60\%$ .
4. If baking is required, devices may be baked for 8 hours at  $120^{\circ}\text{C}\pm 5^{\circ}\text{C}$ .

### NOTE

As the plastic package cannot be subjected to high temperature, it should be removed from devices before high temperature ( $120^{\circ}\text{C}$ ) baking. If shorter baking time is desired, please refer to *IPC/JEDECJ-STD-033* for baking procedure.

## 7.2. Manufacturing and Soldering

Push the squeegee to apply the solder paste on the surface of stencil, thus making the paste fill the stencil openings and then penetrate to the PCB. The force on the squeegee should be adjusted properly so as to produce a clean stencil surface on a single pass. To ensure the module soldering quality, the thickness of stencil for the module is recommended to be 0.2mm. For more details, please refer to **document [12]**.

It is suggested that the peak reflow temperature is 240°C ~245°C, and the absolute maximum reflow temperature is 245°C. To avoid damage to the module caused by repeated heating, it is strongly recommended that the module should be mounted after reflow soldering for the other side of PCB has been completed. The recommended reflow soldering thermal profile (lead-free reflow soldering) and related parameters are shown below.

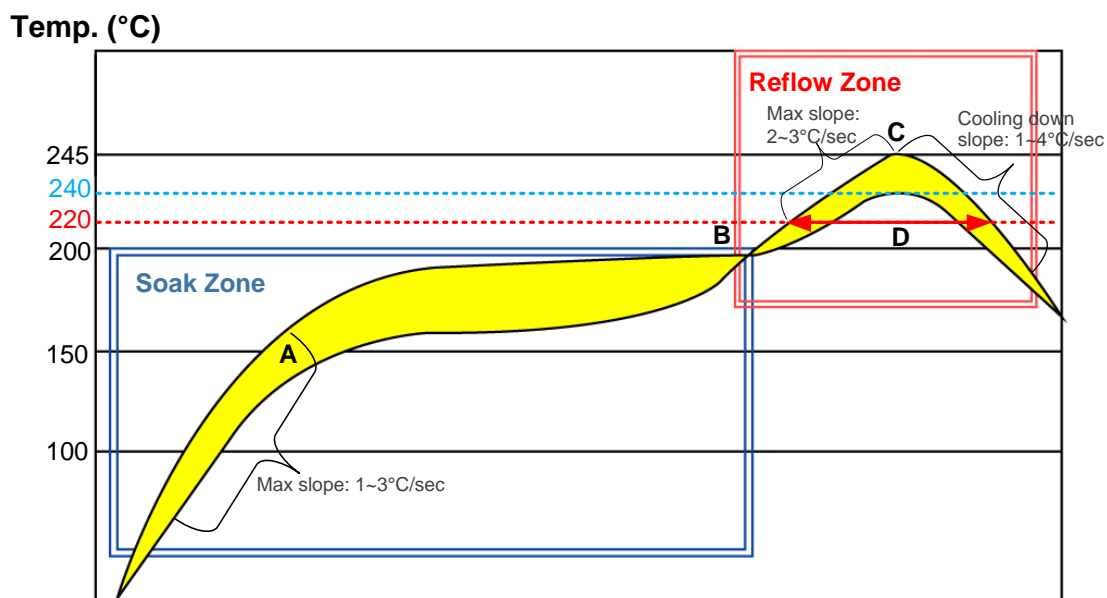


Figure 59: Reflow Soldering Thermal Profile

Table 49: Recommended Thermal Profile Parameters

| Factor                                       | Recommendation |
|--|----------------|
| <b>Soak Zone</b>                             |                |
| Max slope                                    | 1 to 3°C/sec   |
| Soak time (between A and B: 150°C and 200°C) | 60 to 120 sec  |
| <b>Reflow Zone</b>                           |                |



|                             |               |
|-----------------------------|---------------|
| Max slope                   | 2 to 3°C/sec  |
| Reflow time (D: over 220°C) | 40 to 60 sec  |
| Max temperature             | 240°C ~ 245°C |
| Cooling down slope          | 1 to 4°C/sec  |
| <b>Reflow Cycle</b>         |               |
| Max reflow cycle            | 1             |

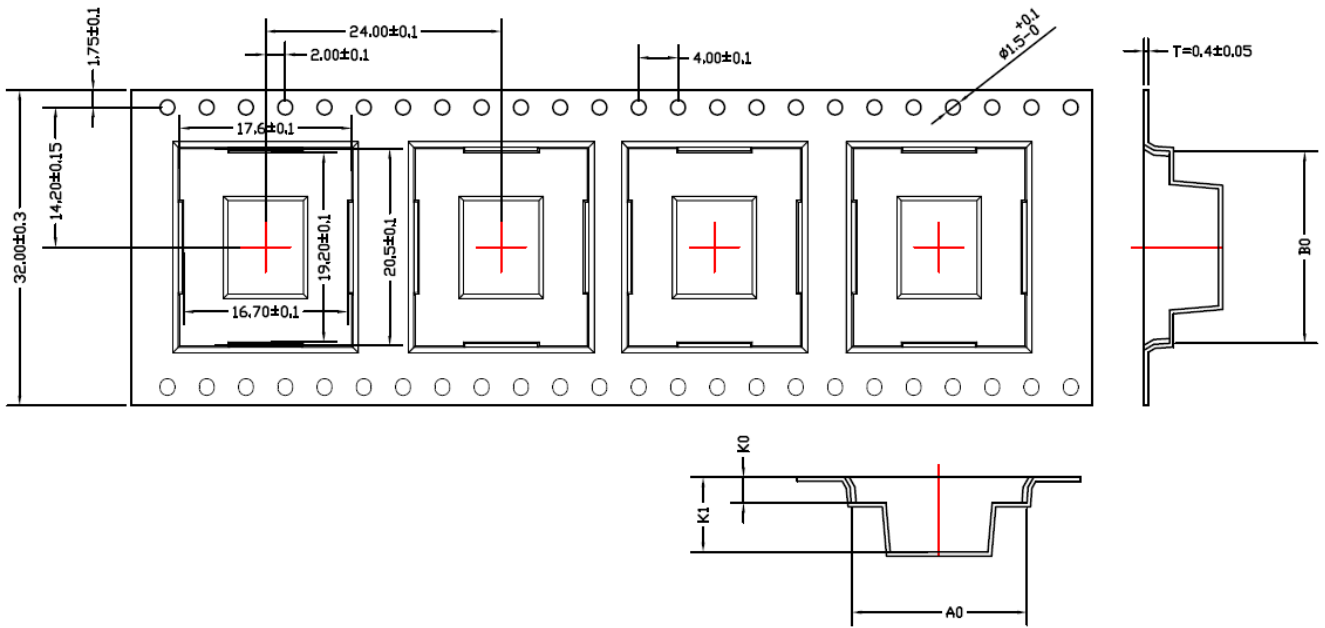
#### NOTES

1. During manufacturing and soldering, or any other processes that may contact the module directly, NEVER wipe the module's shielding can with organic solvents, such as acetone, ethyl alcohol, isopropyl alcohol, trichloroethylene, etc. Otherwise, the shielding can may become rusted.
2. The shielding can for the module is made of Cupro-Nickel base material. It is tested that after 12 hours' Neutral Salt Spray test, the laser engraved label information on the shielding can is still clearly identifiable and the QR code is still readable, although white rust may be found.

### 7.3. Packaging

MC60 is packaged in a vacuum-sealed bag which is ESD protected. The bag should not be opened until the devices are ready to be soldered onto the application.

The following figures show the packaging details, measured in mm.



| ITEM | W    | T     | A0   | A1    | B0    | B1    | B2    | K0    | K1    | P    | F     | E    | D              | P0   | P2   |
|------|------|-------|------|-------|-------|-------|-------|-------|-------|------|-------|------|----------------|------|------|
| DIM  | 32.0 | 0.4   | 17.6 |       | 20.5  |       |       | 2.6   | 7.6   | 24.0 | 14.2  | 1.75 | 1.5            | 4.0  | 2.0  |
| TOL  | ±0.3 | ±0.05 | ±0.1 | ±0.15 | ±0.10 | ±0.10 | ±0.10 | ±0.10 | ±0.10 | ±0.1 | ±0.10 | ±0.1 | +0.10<br>-0.00 | ±0.1 | ±0.1 |

Figure 60: Tape Dimensions

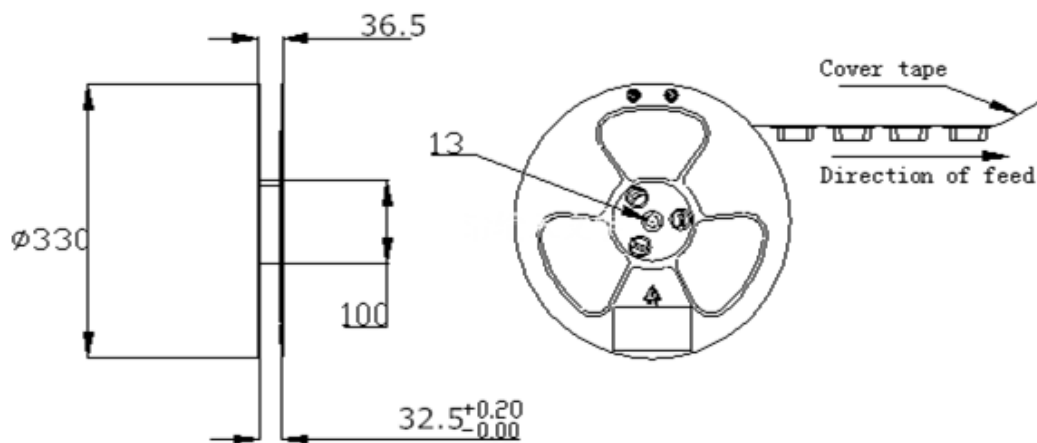


Figure 61: Reel Dimensions

**Table 50: Reel Packaging**

| Model Name | MOQ for MP | Minimum Package: 250pcs                                  | Minimum Package x 4=1000pcs                              |
|------------|------------|--|--|
| MC60       | 250pcs     | Size: 370mm x 350mm x 56mm<br>N.W: 0.32kg<br>G.W: 1.08kg | Size: 380mm x 250mm x 365mm<br>N.W: 1.28kg<br>G.W: 4.8kg |

# 8 Appendix A References

**Table 51: Related Documents**

| SN  | Document Name                          | Remarks  |
|-----|--|--|
| [1] | Quectel_MC60&MC90_AT_Commands_Manual   | MC60&MC90 AT commands manual   |
| [2] | ITU-T Draft New Recommendation V.25ter | Serial asynchronous automatic dialing and control  |
| [3] | GSM 07.07                              | Digital cellular telecommunications (Phase 2+); AT command set for GSM Mobile Equipment (ME)   |
| [4] | GSM 07.10                              | Support GSM 07.10 multiplexing protocol  |
| [5] | GSM 07.05                              | Digital cellular telecommunications (Phase 2+); Use of Data Terminal Equipment – Data Circuit terminating Equipment (DTE – DCE) interface for Short Message Service (SMS) and Cell Broadcast Service (CBS) |
| [6] | GSM 11.14                              | Digital cellular telecommunications (Phase 2+); Specification of the (U)SIM Application Toolkit for the Subscriber Identity module – Mobile Equipment ((U)SIM – ME) interface                              |
| [7] | GSM 11.11                              | Digital cellular telecommunications (Phase 2+); Specification of the Subscriber Identity module – Mobile Equipment ((U)SIM – ME) interface   |
| [8] | GSM 03.38                              | Digital cellular telecommunications (Phase 2+); Alphabets and language-specific information  |
| [9] | GSM 11.10                              | Digital cellular telecommunications (Phase 2); Mobile Station (MS) conformance specification; Part 1: Conformance specification  |

|      |  |  |
|------|--|--|
| [10] | Quectel_GSM_UART_Application_Note              | UART port application note             |
| [11] | Quectel_GSM_EVB_User_Guide                     | GSM EVB user guide                     |
| [12] | Quectel_Module_Secondary_SMT_User_Guide        | Module secondary SMT user guide        |
| [13] | Quectel_GSM_Module_Digital_IO_Application_Note | GSM module digital IO application note |
| [14] | Quectel_MC60&MC90_GNSS_AGPS_Application_Note   | MC60&MC90 GNSS AGPS application note   |
| [15] | Quectel_GSM_BT_Application_Note                | GSM BT application note                |
| [16] | Quectel_MC60&MC90_GNSS_Protocol_Specification  | MC60&MC90 GNSS protocol specification  |
| [17] | Quectel_MC60-TE-A_User_Guide                   | MC60-TE-A user guide                   |

**Table 52: Terms and Abbreviations**

| Abbreviation | Description                                 |
|--------------|---|
| ADC          | Analog-to-Digital Converter                 |
| AG           | Audio Gateway                               |
| AGPS         | Assisted GPS                                |
| AIC          | Active Interference Cancellation            |
| AIN          | Audio In                                    |
| AMR          | Adaptive Multi-Rate                         |
| ARP          | Antenna Reference Point                     |
| ASIC         | Application Specific Integrated Circuit     |
| BER          | Bit Error Rate                              |
| BT           | Bluetooth                                   |
| BTS          | Base Transceiver Station                    |
| CHAP         | Challenge Handshake Authentication Protocol |
| CS           | Coding Scheme                               |
| CSD          | Circuit Switched Data                       |

---

|         |   |
|---------|---|
| CTS     | Clear to Send   |
| DGPS    | Differential GPS  |
| DRX     | Discontinuous Reception   |
| DSP     | Digital Signal Processor  |
| DCE     | Data Communications Equipment (typically module)                  |
| DTE     | Data Terminal Equipment (typically computer, external controller) |
| DTR     | Data Terminal Ready   |
| DTX     | Discontinuous Transmission  |
| EASY™   | Embedded Assist System  |
| EFR     | Enhanced Full Rate  |
| EGSM    | Enhanced GSM  |
| EMC     | Electromagnetic Compatibility                                     |
| EPO™    | Extended Prediction Orbit   |
| ESD     | Electrostatic Discharge   |
| ETS     | European Telecommunication Standard                               |
| FCC     | Federal Communications Commission (U.S.)                          |
| FDMA    | Frequency Division Multiple Access                                |
| FR      | Full Rate   |
| FS      | File System   |
| FTP     | File Transfer Protocol  |
| GAGAN   | GPS Aided Geo Augmented Navigation                                |
| GGA     | NMEA: Global Positioning System Fix Data                          |
| GLL     | NMEA: Geographic Latitude and Longitude                           |
| GLONASS | Global Navigation Satellite System                                |
| GLP     | GNSS Low Power  |

---

---

|                    |   |
|--------------------|---|
| GMSK               | Gaussian Minimum Shift Keying                     |
| GNSS               | Global Navigation Satellite System                |
| GPRS               | General Packet Radio Service                      |
| GPS                | Global Positioning System                         |
| GSA                | NMEA: GPS DOP and Active Satellites               |
| GSM                | Global System for Mobile Communications           |
| GSV                | NMEA: GPS Satellites in View                      |
| G.W                | Gross Weight                                      |
| HFP                | Hands-free Profile                                |
| HR                 | Half Rate   |
| HTTP               | Hypertext Transfer Protocol                       |
| I/O                | Input/Output                                      |
| IC                 | Integrated Circuit                                |
| IEEE               | Institute of Electrical and Electronics Engineers |
| IMEI               | International Mobile Equipment Identity           |
| I <sub>o</sub> max | Maximum Output Load Current                       |
| kbps               | Kilo Bits Per Second                              |
| LCC                | Leadless Chip Carriers                            |
| LED                | Light Emitting Diode                              |
| LGA                | Land Grid Array                                   |
| Li-Ion             | Lithium-Ion                                       |
| LNA                | Low Noise Amplifier                               |
| MCU                | Micro Control Unit                                |
| MMS                | Microsoft Media Server                            |
| MQTT               | Message Queuing Telemetry Transport               |

---

---

|       |  |
|-------|--|
| MO    | Mobile Originated                              |
| MOQ   | Minimum Order Quantity                         |
| MP    | Manufacture Product                            |
| MS    | Mobile Station (GSM engine)                    |
| MSAS  | Multi-Functional Satellite Augmentation System |
| MT    | Mobile Terminated                              |
| NMEA  | National Marine Electronics Association        |
| NTP   | Network Time Protocol                          |
| N.W   | Net Weight                                     |
| PAP   | Password Authentication Protocol               |
| PBCCH | Packet Switched Broadcast Control Channel      |
| PCB   | Printed Circuit Board                          |
| PCL   | Power Control Level                            |
| PCM   | Pulse Code Modulation                          |
| PDP   | Packet Data Protocol                           |
| PDU   | Protocol Data Unit                             |
| PING  | Packet Internet Groper                         |
| PMOS  | Positive Channel Metal Oxide Semiconductor     |
| PMTK  | MTK Proprietary Protocol                       |
| PMU   | Power Management Unit                          |
| PPP   | Point-to-Point Protocol                        |
| PPS   | Pulse per Second                               |
| QZSS  | Quasi-Zenith Satellite System                  |
| RF    | Radio Frequency                                |
| RMC   | NMEA: Recommended Minimum Position Data        |

---



---

|                   |   |
|-------------------|---|
| RMS               | Root Mean Square (value)                      |
| RoHS              | Restriction of Hazardous Substances           |
| RTC               | Real Time Clock                               |
| RX                | Receive Direction                             |
| SBAS              | Satellite-based Augmentation System           |
| SIM               | Subscriber Identification Module              |
| SMD               | Surface Mounted Devices                       |
| SMS               | Short Message Service                         |
| SMTP              | Simple Mail Transfer Protocol                 |
| SPI               | Serial Peripheral Interface                   |
| SPP               | Standard Parallel Port                        |
| TCP               | Transmission Control Protocol                 |
| TDMA              | Time Division Multiple Access                 |
| TE                | Terminal Equipment                            |
| 3GPP              | 3rd Generation Partnership Project            |
| TTFF              | Time to First Fix                             |
| TX                | Transmitting Direction                        |
| UART              | Universal Asynchronous Receiver & Transmitter |
| UDP               | User Datagram Protocol                        |
| URC               | Unsolicited Result Code                       |
| USIM              | Universal Mobile Telecommunication System     |
| USSD              | Unstructured Supplementary Service Data       |
| VSWR              | Voltage Standing Wave Ratio                   |
| VTG               | NMEA: Track Made Good and Ground Speed        |
| V <sub>omax</sub> | Maximum Output Voltage Value                  |

---

|                    |   |
|--------------------|---|
| $V_{O\text{norm}}$ | Normal Output Voltage Value             |
| $V_{O\text{min}}$  | Minimum Output Voltage Value            |
| $V_{IH\text{max}}$ | Maximum Input High Level Voltage Value  |
| $V_{IH\text{min}}$ | Minimum Input High Level Voltage Value  |
| $V_{IL\text{max}}$ | Maximum Input Low Level Voltage Value   |
| $V_{IL\text{min}}$ | Minimum Input Low Level Voltage Value   |
| $V_{I\text{max}}$  | Absolute Maximum Input Voltage Value    |
| $V_{I\text{norm}}$ | Absolute Normal Input Voltage Value     |
| $V_{I\text{min}}$  | Absolute Minimum Input Voltage Value    |
| $V_{OH\text{max}}$ | Maximum Output High Level Voltage Value |
| $V_{OH\text{min}}$ | Minimum Output High Level Voltage Value |
| $V_{OL\text{max}}$ | Maximum Output Low Level Voltage Value  |
| $V_{OL\text{min}}$ | Minimum Output Low Level Voltage Value  |
| WAAS               | Wide Area Augmentation System           |

#### Phonebook Abbreviations

|    |  |
|----|--|
| LD | (U)SIM Last Dialing phonebook (list of numbers most recently dialed) |
| MC | Mobile Equipment list of unanswered MT Calls (missed calls)          |
| ON | (U)SIM (or ME) Own Numbers (MSISDNs) list                            |
| RC | Mobile Equipment list of Received Calls                              |
| SM | (U)SIM phonebook   |

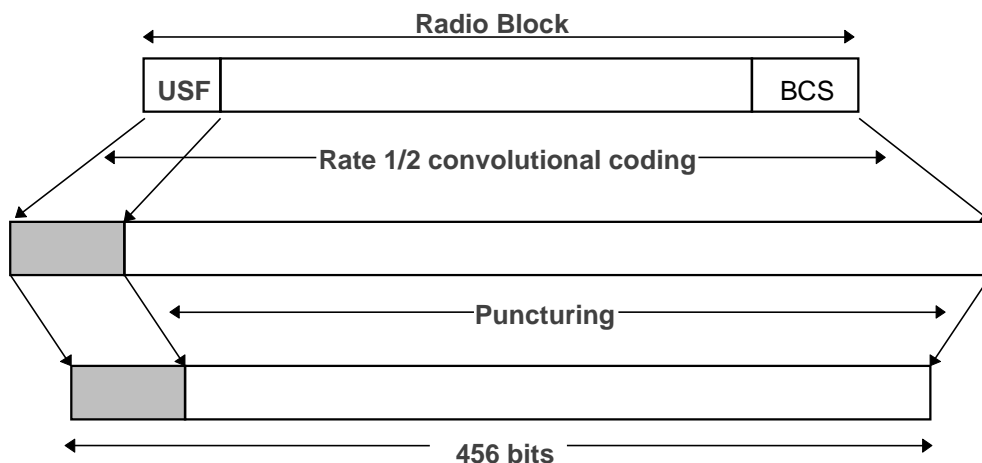
# 9 Appendix B GPRS Coding Schemes

Four coding schemes are used in GPRS protocol. The differences between them are shown in the following table.

**Table 53: Description of Different Coding Schemes**

| Scheme | Code Rate | USF | Pre-coded USF | Radio Block excl.USF and BCS | BCS | Tail | Coded Bits | Punctured Bits | Data Rate Kb/s |
|--------|-----------|-----|---------------|------------------------------|-----|------|------------|----------------|----------------|
| CS-1   | 1/2       | 3   | 3             | 181                          | 40  | 4    | 456        | 0              | 9.05           |
| CS-2   | 2/3       | 3   | 6             | 268                          | 16  | 4    | 588        | 132            | 13.4           |
| CS-3   | 3/4       | 3   | 6             | 312                          | 16  | 4    | 676        | 220            | 15.6           |
| CS-4   | 1         | 3   | 12            | 428                          | 16  | -    | 456        | -              | 21.4           |

Radio block structure of CS-1, CS-2 and CS-3 is shown as the figure below.



**Figure 62: Radio Block Structure of CS-1, CS-2 and CS-3**

Radio block structure of CS-4 is shown as the following figure.

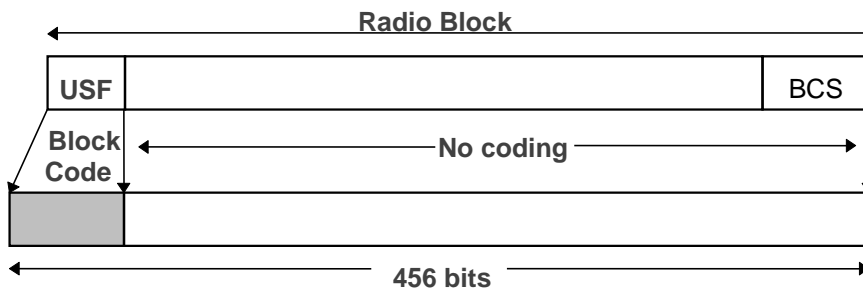


Figure 63: Radio Block Structure of CS-4

# 10 Appendix C GPRS Multi-slot Classes

Twenty-nine classes of GPRS multi-slot modes are defined for MS in GPRS specification. Multi-slot classes are product dependent, and determine the maximum achievable data rates in both the uplink and downlink directions. Written as 3+1 or 2+2, the first number indicates the amount of downlink timeslots, while the second number indicates the amount of uplink timeslots. The active slots determine the total number of slots the GPRS device can use simultaneously for both uplink and downlink communications. The description of different multi-slot classes is shown in the following table.

**Table 54: GPRS Multi-slot Classes**

| Multislot Class | Downlink Slots | Uplink Slots | Active Slots |
|-----------------|----------------|--------------|--------------|
| 1               | 1              | 1            | 2            |
| 2               | 2              | 1            | 3            |
| 3               | 2              | 2            | 3            |
| 4               | 3              | 1            | 4            |
| 5               | 2              | 2            | 4            |
| 6               | 3              | 2            | 4            |
| 7               | 3              | 3            | 4            |
| 8               | 4              | 1            | 5            |
| 9               | 3              | 2            | 5            |
| 10              | 4              | 2            | 5            |
| 11              | 4              | 3            | 5            |
| 12              | 4              | 4            | 5            |