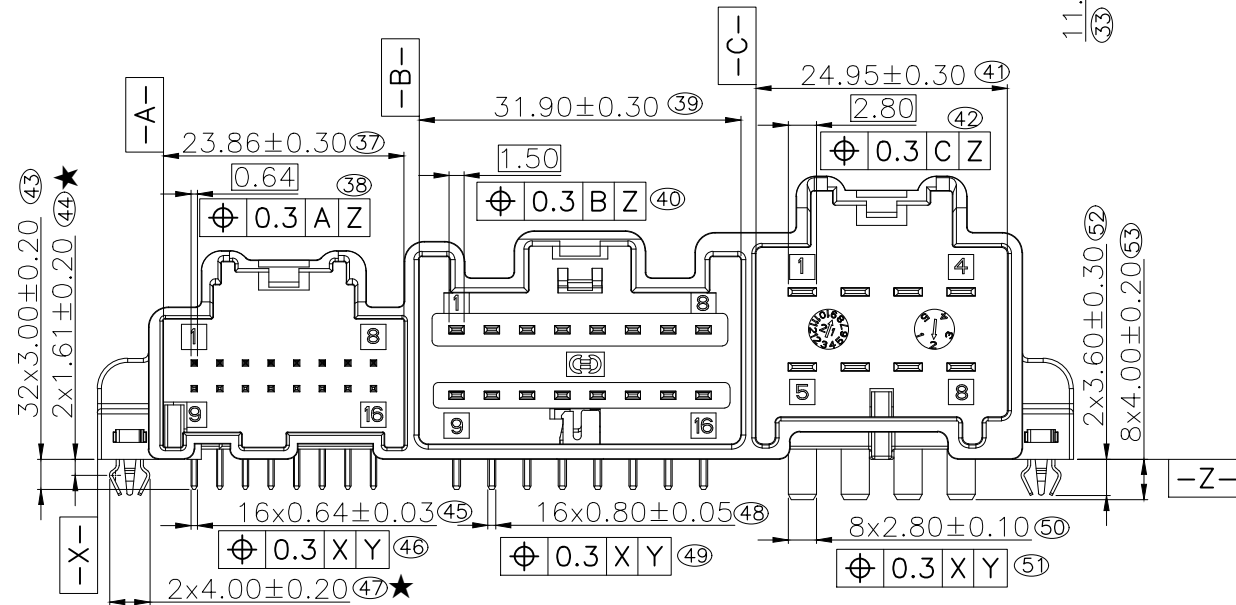
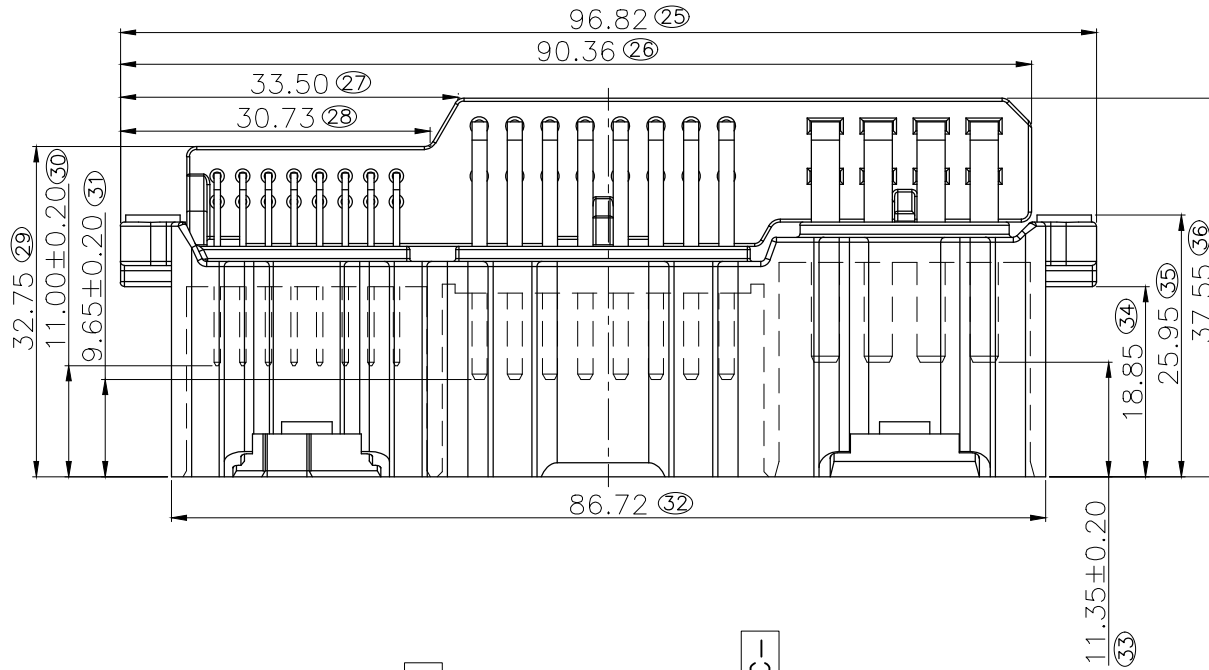




REV.	LOCAS.	DESCRIPTION	DATE	DRAWN
01	NEW	BATCH PRODUCTION INITIAL RELEASE.	2023.02.21	王文睿

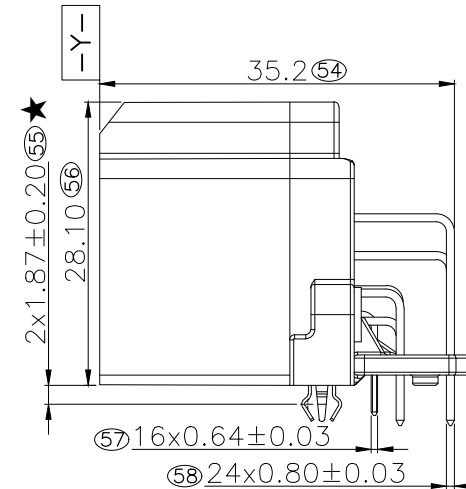


Specifications:  
 Insulation Resistance:100MΩ Min.  
 Dielectric Withstanding Voltage:1000V AC  
 Contact Resistance:10mΩ Max. initial  
 Operating Temperature:-40°C to +105°C

Materials:  
 Contact Material:  
 1.0.64mm Contact:Copper alloy  
 2.1.50mm Contact:Copper alloy  
 3.2.80mm Contact:Copper alloy  
 Soldering Clip Material:Copper alloy  
 Housing Material: PA66+GF, UL94HB, Color: Black  
 Organizer:High Temperature Thermoplastic (Recycle) ,  
 UL94V-0, Color: Black

Plating:  
 Nickel underplated over all 1.3um~2.2um.  
 Matte tin plated 1~3um Min. on contact area.  
 Matte tin plated 3~5um Min. on solder tail.

"★": Significant Characteristics.



**Greenconn**  
 Website:www.greenconn.com  
 E-mail:sales@greenconn.com

3RD.ANG PROJ.  
 PAGE. 2/2

GENERAL TOLERANCE	
X.*±5.0°	X.±0.30
.X.*±3.0°	.X.±0.25
.XX.*±2.0°	.XX.±0.20
.XXX.*±1.0°	.XXX.±0.15

DESIGNED: 王文睿 DATE: 2023.02.21  
 CHECKED: 黄超 DATE: 2023.02.21  
 APPROVED: 邱國廷 DATE: 2023.02.21

DWG. NO. GPZB223-CF001  
 PART NO. GPZB223-XXXXF001W1GX

TITLE. 40-WAY 3 POCKET R/A AMPLIFIER CONNECTOR