

### SPECIFICATION

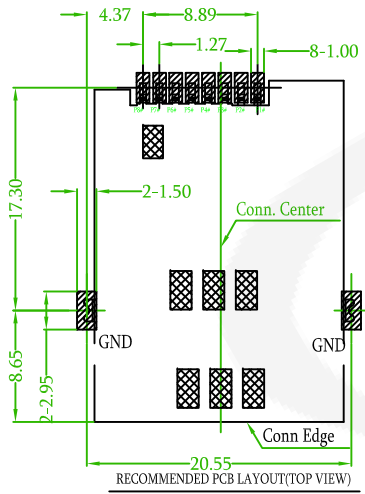
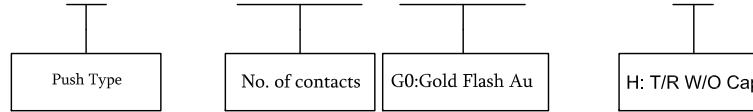
Current Rating: 0.5 AMP  
 Insulation Resistance: 1000MΩ Min.  
 Contact Resistance: 100mΩ Max.  
 Dielectric Voltage: 125V AC for one minute  
 Operation Temperature: -40 °C to +70 °C

### MATERIAL

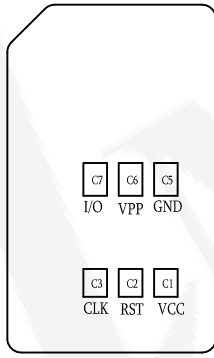
Insulator: LCP, UL 94V-0  
 Contact : Copper Alloy  
 Shell: Stainless Steel

### ORDER INFORMATION

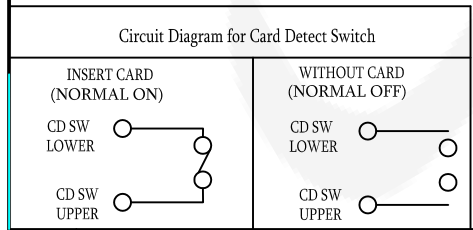
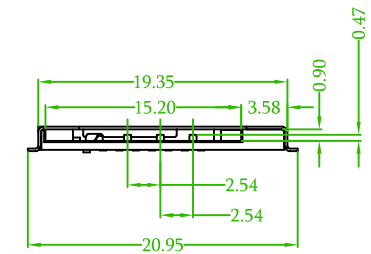
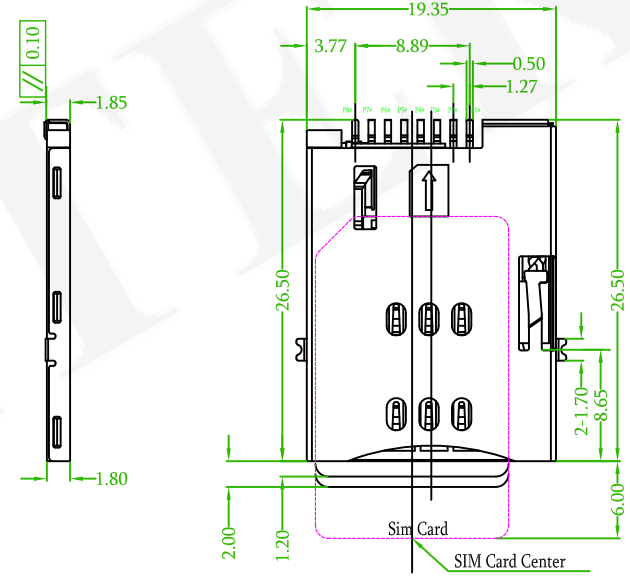
5 K S I P - 0 8 G 0 N H L 0 1



SOLDER AREA  
 NONE CIRCUIT DIAGRAM AREA



PIN NO.	DESCRIPTION
P1#	C1:VCC
P2#	C5:GND
P3#	C2:RST
P4#	C6:VPP
P5#	C3:CLK
P6#	C7:I/O
P7#	POL
P8#	DET



REV.	ECN NO. OR DESCRIPTION	REVISED	DATE

<p>糧德精密有限公司                  Amtek Technology Co., Ltd.                  TEL: 886-2-2260-6878                  FAX: 886-2-2260-8030</p>	品名 TITLE	SIM Card 8P SMT Type			頁數 Page	1/1
	品號 PART NO.	5KSIP-08G0NHL01			繪圖 DRAWN	Benson 2019/06/17
	圖號 DRAWING NO.	GN195-BS086	版本 REV.	A	核對 CHECKED	Josh 2019/06/17
	客戶品號 CUSTOMER P/N		比例 SCALE	None	承認 APPROVED	Josh 2019/06/17
	公差 TOLERANCE	.X ± 0.30 .XX ± 0.20	X° ± 3°	單位 UNIT	mm	THIRD ANGLE PROJECTION