

DATASHEET

S01.01.01.284_MAXWELL-4-10

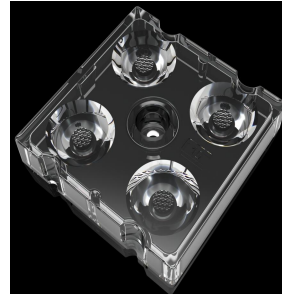
FLOOD LIGHT LENS:

~10° (Extra Narrow) beam .

50 x 50 mm 2X2 arrays for 3535 size LED packages.

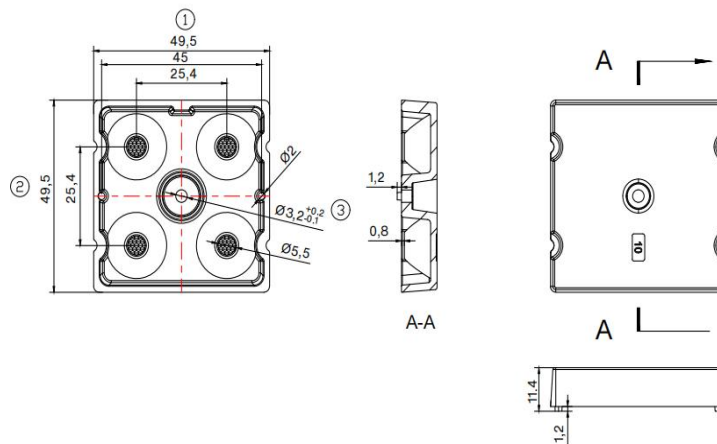
1.General Information

Lens Material	: Optical PC
Size	: 50X50mm
typ.FWHM	: 10°
Design LED	: CREE XPE
Compatibility	: 5050/3030/2835/3535
typ.Efficiency	: 91%
Fasten	: Screw
IP class	: N/A
Zhaga	: YES
RoHS	: YES
Color	: Clear



2.MECHANICAL SPECIFICATION

UNIT:mm



3. OPTICAL RESULTS

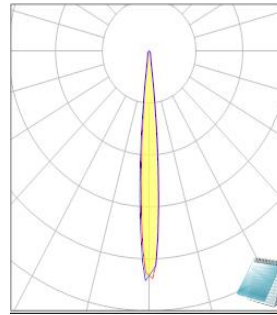
1) PHOTOMETRIC DATA(MEASURED):



LED model	XPE
Light colour	White
LEDs/each optic	1
FWHM	H9.8°,V9.5°
FWTH	H17.5°,V17.5°

Required components:

Glass



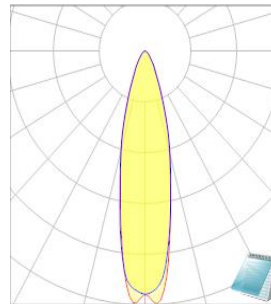
2) PHOTOMETRIC DATA(MEASURED):



LED model	Luxeon5050 Square
Light colour	White
LEDs/each optic	1
FWHM	H26.5°,V25.2°
FWTH	H57°,V56.5°

Required components:

Glass

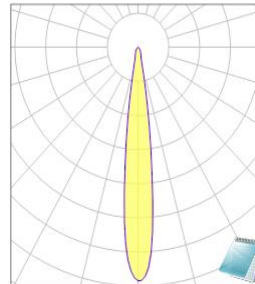


3) PHOTOMETRIC DATA(MEASURED):



LED model	LH351B
Light colour	White
LEDs/each optic	1
FWHM	H14.5°,V14.2°
FWTH	H26°,V26.4°

Required components:



4. Usage and Maintenance

- 1) If necessary, clean lenses with mild soap, water and soft cloth.
- 2) Never use any commercial cleaning solvents on lenses, like alcohol.
- 3) Please handle lens with wearing gloves, skin oils may damage lens or its optical characteristic.

5. Note

Please test the data again before using. The chart data is for reference only.

The appearance and specifications of the product can be changed to improve the quality and/or performance without notice.