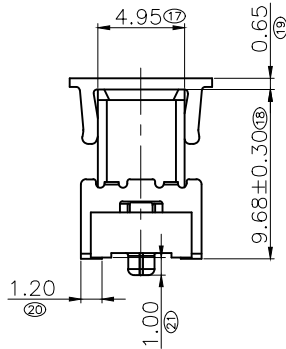
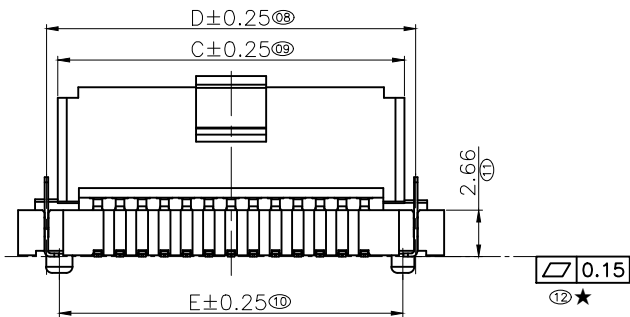
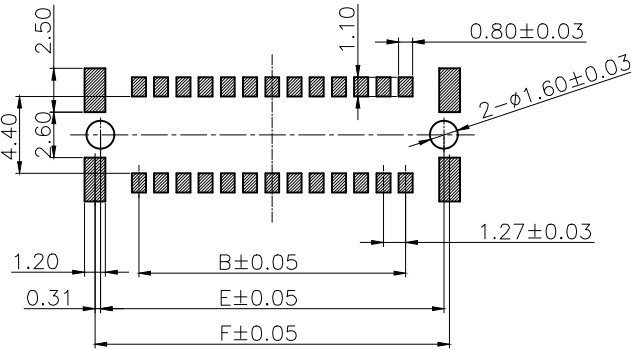


REV.	LOCAS.	DESCRIPTION	DATE	DRAWN
A	NEW	INTERIM INITIAL RELEASE.	2024.08.28	王文睿

Specifications
 Current Rating: 1.70Amp per pin.
 Insulation Resistance: 10000MΩ Min.
 Dielectric Withstanding Voltage: 500VAC
 Contact Resistance: 25mΩ Max.
 Operating Temperature: -55°C to +125°C
 Materials
 Contact Material: Phosphor Bronze
 Insulator Material: High Temperature Thermoplastic, UL 94V-0
 LCP or the equivalent material Colour: Black
 ☆ All materials must meet GREENCONN hazardous substances control standards.
 "★": Critical Characteristics.
 indicates product characteristics, functionalities, and manufacturing processes regarding to customer's specifications
 "☆": Safety Features
 indicates product characteristics, functionalities, and manufacturing processes complying to legal regulations stated by local government



Recommended P.C.Board Layout
 (Tolerance: ±0.05)



PIN数	A	B	C	D	E	F
2X5	14.19	5.08	9.64	10.94	9.48	10.10
2X6	15.46	6.35	10.91	12.21	10.75	11.37
2X8	18.00	8.89	13.45	14.75	13.29	13.91
2X10	20.54	11.43	15.99	17.29	15.83	16.45
2X13	24.35	15.24	19.80	21.10	19.64	20.26
2X16	28.16	19.05	23.61	24.91	23.45	24.07
2X20	33.24	24.13	28.69	29.99	28.53	29.15
2X25	39.59	30.48	35.04	36.34	34.88	35.50
2X30	45.94	36.83	41.39	42.69	41.23	41.85
2X34	51.02	41.91	46.47	47.77	46.31	46.93
2X40	58.64	49.53	51.09	55.39	53.93	54.55

Ordering Information

GGEC201 - XX XX B 001 C 1 A F
 No. of Pins Per Row SEE TABLE
 Standard Plating 79=5u"AU/80-160u"Sn
 Color 1=Black
 Standard Packing F=CAP+Tape&Reel

3RD.ANG PROJ.	GENERAL TOLERANCE	
⊕	X.*±5.0°	X.±0.30
⊖	.X.*±3.0°	.X.±0.25
PAGE.	.XX.*±2.0°	.XX±0.20
1/1	.XXX.*±1.0°	.XXX±0.15

DESIGNED: 王文睿	DATE: 2024.08.28
CHECKED: 黄超	DATE: 2024.08.28
APPROVED: 邱國延	DATE: 2024.08.28

DWG. NO.	GGEC201-CB001
PART NO.	GGEC201-XXXXB001C1AF

TITLE:
 1.27mm PITCH BTB
 FLOATING
 CONNECTOR