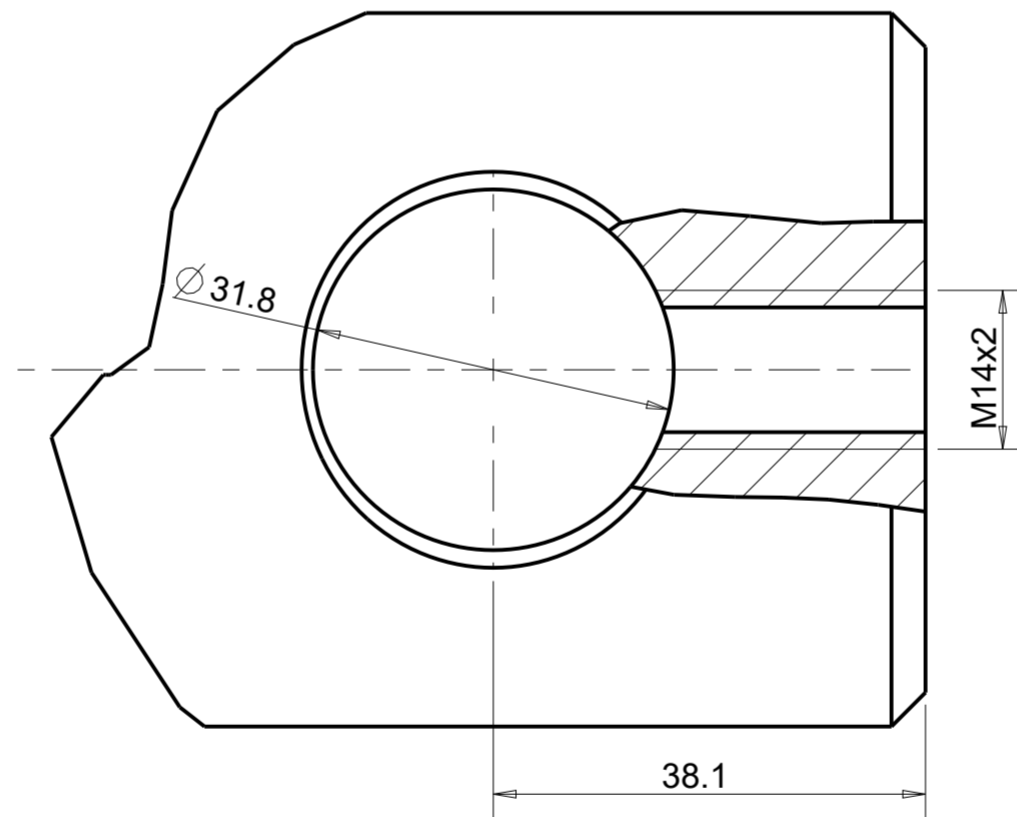
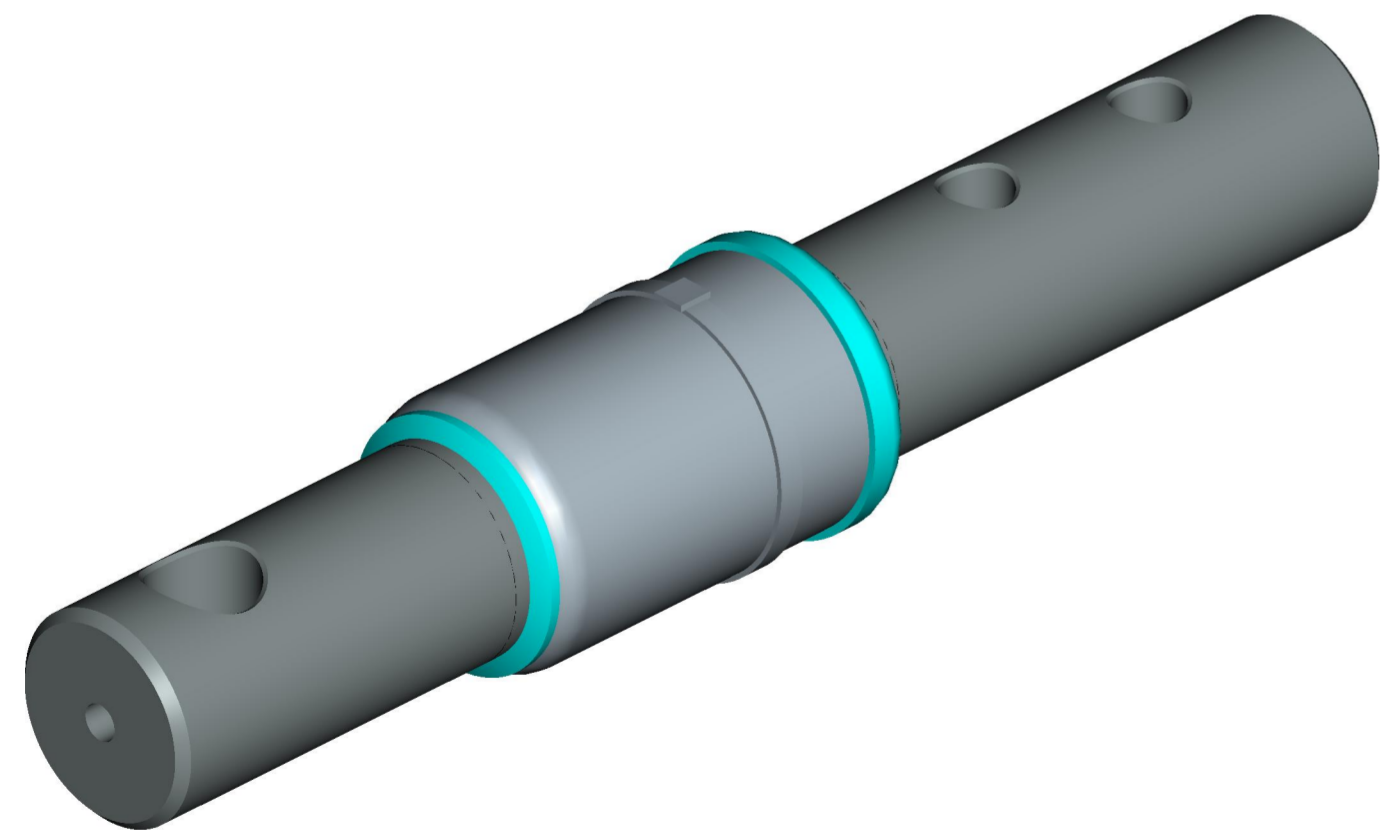


Bushing Tolerance
 $\varnothing 63 +0.2/+0.3$



DETTAGLIO A
 SCALA 3/2

INPUT +	RED
INPUT -	BLACK
OUTPUT +	GREEN
OUTPUT -	WHITE

SPECIFICATIONS	STATIC	MOBILE
RATED LOAD (LBS)	18187	12125
RATED LOAD (Kg)	8250	5500
RATED OUTPUT (mV/V)	0.67	0.45

PART CODE	CABLE LENGTH		CABLE TERMINATION
	FT	m	
969-0320	21.3	6.5	ECP

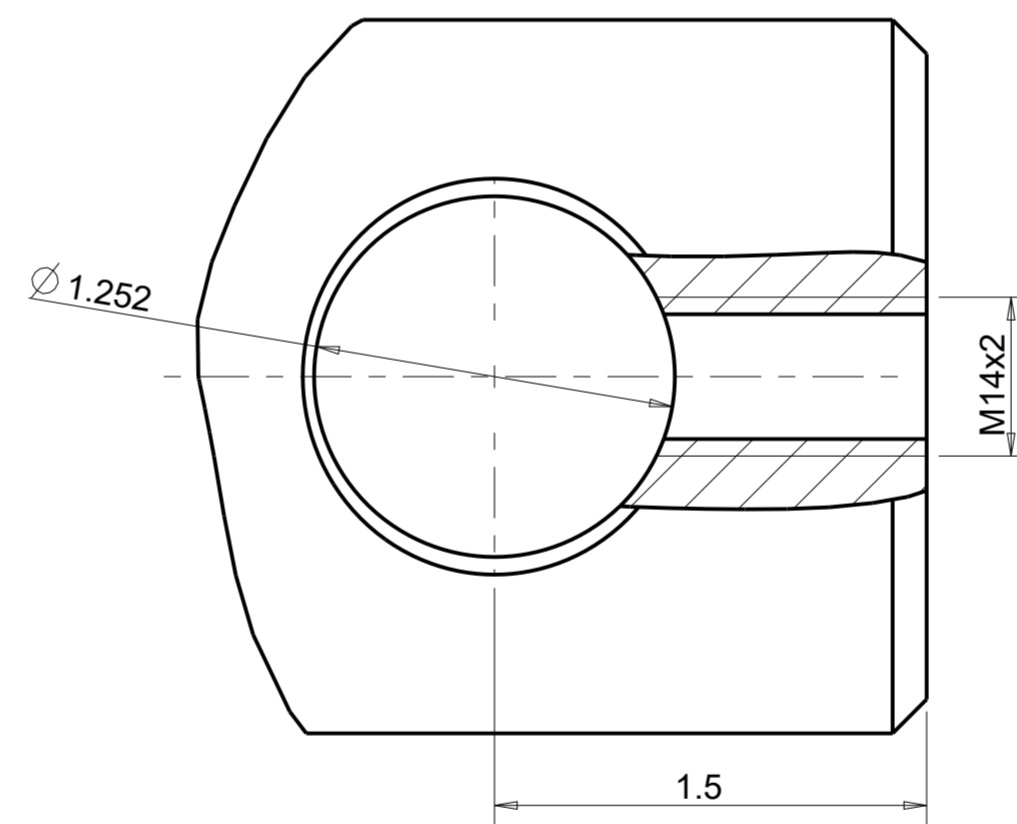
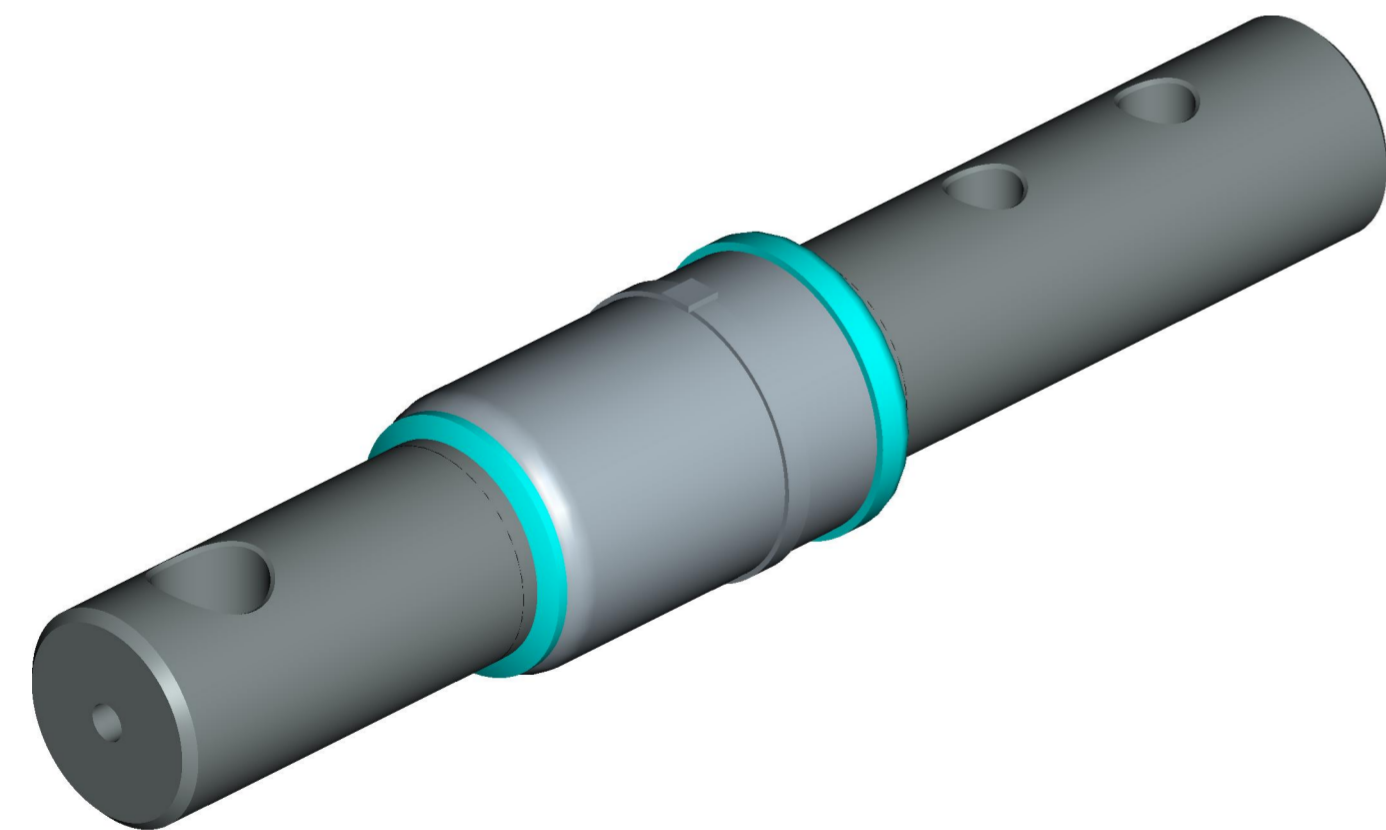
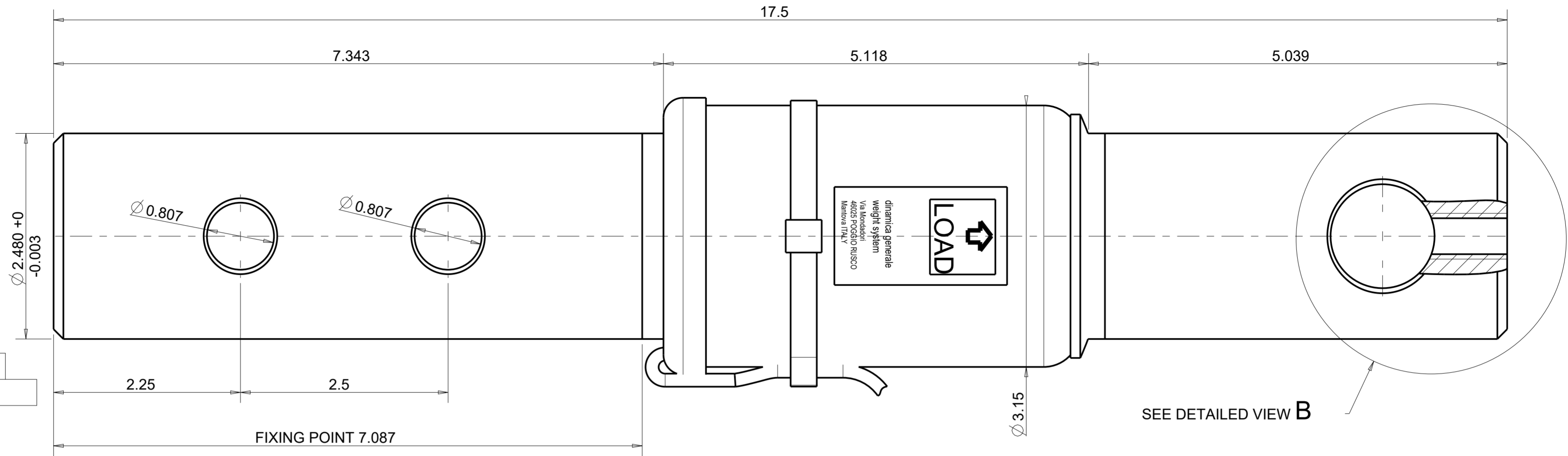
C	A1	22/09/16	M.B.	Agg. fdm 215_16	SCALE A2		
B	A0	05/09/14	M.B.	Emissione disegno			
REV. MOD.N. DATE SIGNATURE DESCRIPTION					SCALE 1/1		
			*DRAWN	*CHECKED	*APPROVED	UNSPECIFIED TOLLERANCES	
			DATE	05/09/2014	05/09/2014	05/09/2014	± 0.5
			SIGNATURE	M.Bresciani	S.Bernardinello	M.Gilli	ROUGHNESS
			WEIGHT [kg]	10.465		*REFER TO ORIGINAL DRAWING IF SIGNATURE ARE PRINTED	
DESCRIPTION Cella MOBILE DG24500/63-AG C=6.5m + ECP_DG							
			CODE	969-0320	REV.	A1	THE COPY OF THIS DRAWING MUST BE APPROVED BY DINAMICA GENERALE

This documents is for reference,
 dimensions are subject to change.

ALL RIGHTS OF THE PROJECT STRICTLY
 RESERVED TO DINAMICA GENERALE.
 REPRODUCTION OR ISSUE TO THIRD
 PARTIES IN ANY FORM WHATEVER IS,
 NOT PERMITTED WITHOUT WRITTEN
 AUTHORIZATION FROM DINAMICA GENERALE


 DINAMICA GENERALE
 Weight Systems
 46025 Poggio Rusco (MN)
 Via Mondadori, 15
 Tel. ++39 0386.52134
 Fax ++39 0386.51523

MEASURES EXPRESSED IN INCHES



DETAILED VIEW B
SCALE 3/2

INPUT +	RED
INPUT -	BLACK
OUTPUT +	GREEN
OUTPUT -	WHITE

SPECIFICATIONS	STATIC	MOBILE
RATED LOAD (LBS)	18187	12125
RATED LOAD (Kg)	8250	5500
RATED OUTPUT (mV/V)	0.67	0.45

PART CODE	CABLE LENGHT		CABLE TERMINATION
	FT	m	
969-0320	21.3	6.5	ECP

REV.	MOD.N.	DATE	SIGNATURE	DESCRIPTION	SCALE
C					A2
B	A1	22/09/16	M.B.	Agg. fdm 215_16	1/1
A	A0	05/09/14	M.B.	Emissione disegno	
UNSPECIFIED TOLLERANCES					± 0.02
ROUGHNESS					
WEIGHT [lbs]			*REFER TO ORIGINAL DRAWING IF SIGNATURE ARE PRINTED		
DESCRIPTION					
Cella MOBILE DG24500/63-AG C=6.5m + ECP_DG					
CODE			REV.	THE COPY OF THIS DRAWING MUST BE APPROVED BY DINAMICA GENERALE	
969-0320			A1		

This documents is for reference, dimensions are subject to change.

ALL RIGHTS OF THE PROJECT STRICTLY RESERVED TO DINAMICA GENERALE. REPRODUCTION OR ISSUE TO THIRD PARTIES IN ANY FORM WHATEVER IS, NOT PERMITTED WITHOUT WRITTEN AUTHORIZATION FROM DINAMICA GENERALE


DINAMICA GENERALE
Weight Systems
46025 Poggio Rusco (MN)
Via Mondadori, 15
Tel. ++39 0386.52134
Fax ++39 0386.51523