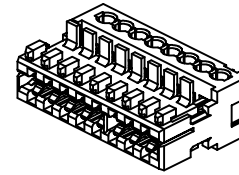
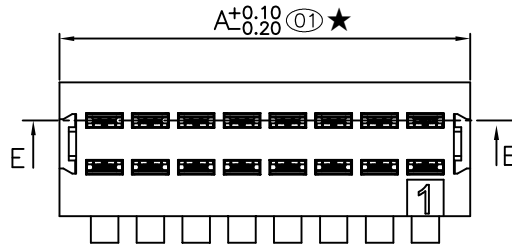


Shipping Arrangement: 50 sets per strip
Shipped in carton box



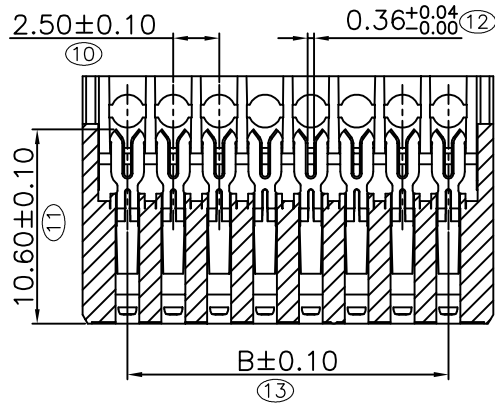
Specifications
Current Rating:2.0Amp
Insulation Resistance:1000MΩMin.
Dielectric Withstanding Voltage:500VAC
Contact Resistance:10mΩMax.
Operating Temperature:-40°C to +130°C
Materials

Contact Material:Phosphor Bronze
Insulator Material:Thermoplastic,
UL 94V-0 PBT or the equivalent material

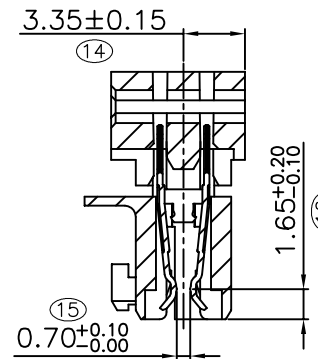
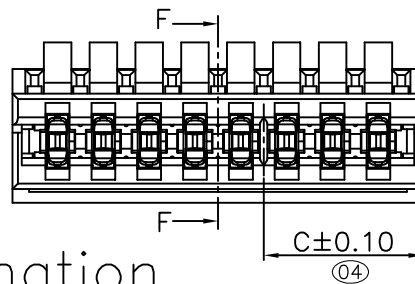
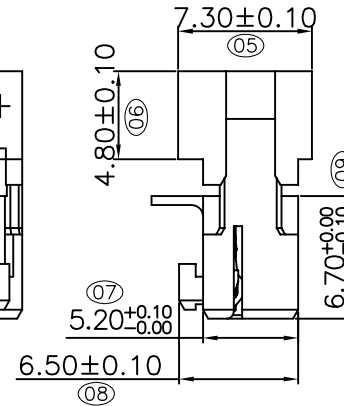
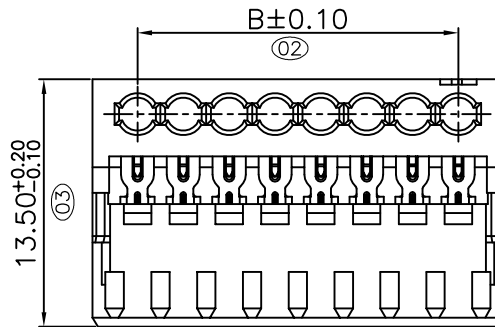
☆All materials must meet Greenconn
hazardous substances control standards.
"★": Critical Characteristics.

indicates product characteristics, functionalities,
and manufacturing processes regarding to
customer's specifications

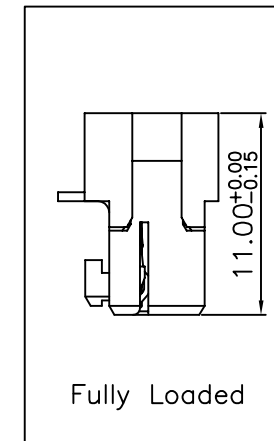
"☆": Safety Features
indicates product characteristics, functionalities,
and manufacturing processes complying to
legal regulations stated by local government



SECTION E-E



SECTION F-F



Fully Loaded

Pin NO.	A	B	C
02	7.40	2.50	
03	9.90	5.00	6.20
04	12.40	7.50	3.70
05	14.90	10.00	11.20
06	17.40	12.50	6.20
07	19.90	15.00	6.20
08	22.40	17.50	8.70
09	24.90	20.00	21.20
10	27.40	22.50	6.20
11	29.90	25.00	11.20
12	32.40	27.50	11.20
13	34.90	30.00	6.20
14	37.40	32.50	3.70
15	39.90	35.00	6.20

Ordering Information

C SGA106 - XX XX A 001 A 4 N X

No. of Pins Per Row
02~15

Standard Plating
97=100~200u" Bright tin over
50~100u" Ni underplate overall.

Color
4=Natural

Standard Packing
B=Tray

Greenconn
Website:www.greenconn.com
E-mail:sales@greenconn.com

3RD.ANG
PROJ.
PAGE. 1/1

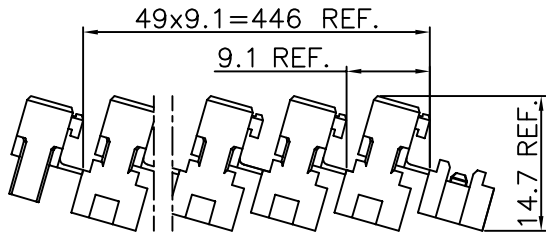
GENERAL TOLERANCE	
X.*±5.0°	X.±0.30
.X*±3.0°	.X±0.25
.XX*±2.0°	.XX±0.15
.XXX*±1.0°	.XXX±0.10

DESIGNED:
CHECKED:
APPROVED:

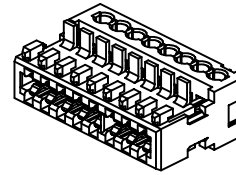
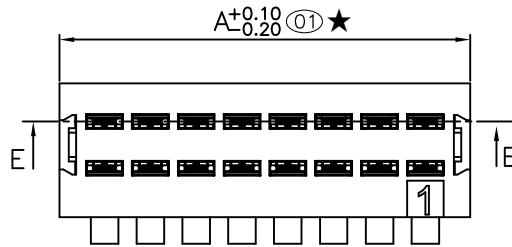
DATE:
DATE:
DATE:

DWG. NO.
CSGA106-CA1AN
PART NO.
CSGA106-XXXXA001A4NX

TITLE.
RASTLink 2.5mm
Single Row
Female Connector



Shipping Arrangement: 50 sets per strip
Shipped in carton box



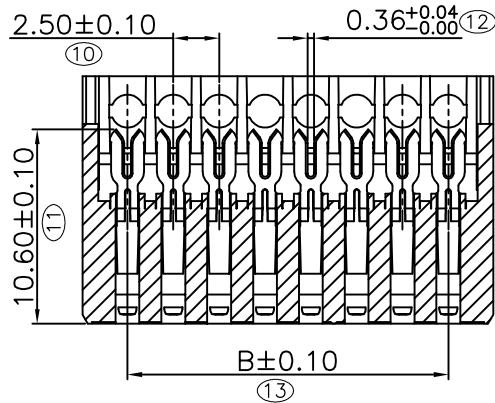
Specifications
Current Rating:2.0Amp
Insulation Resistance:1000MΩMin.
Dielectric Withstanding Voltage:500VAC
Contact Resistance:10mΩMax.
Operating Temperature:-40°C to +130°C
Materials

Contact Material:Phosphor Bronze
Insulator Material:Thermoplastic,
UL 94V-0 PBT or the equivalent material

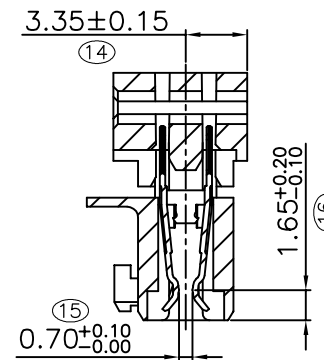
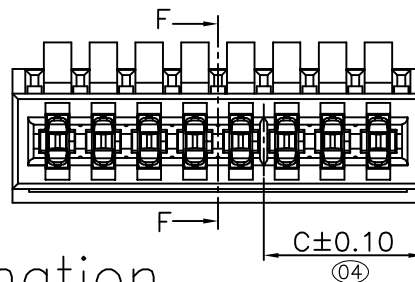
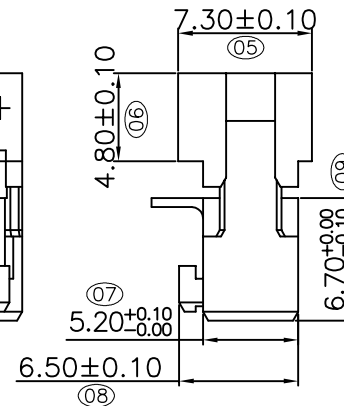
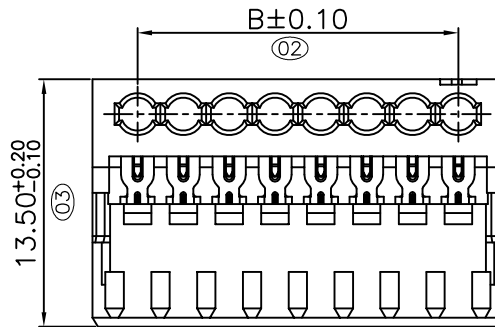
★All materials must meet Greenconn hazardous substances control standards.
"★": Critical Characteristics.

indicates product characteristics, functionalities, and manufacturing processes regarding to customer's specifications

"☆": Safety Features
indicates product characteristics, functionalities, and manufacturing processes complying to legal regulations stated by local government



SECTION E-E



SECTION F-F

Pin NO.	A	B	C
02	7.40	2.50	
03	9.90	5.00	3.70
04	12.40	7.50	8.70
05	14.90	10.00	11.20
06	17.40	12.50	11.20
07	19.90	15.00	16.20
08	22.40	17.50	16.20
09	24.90	20.00	11.20
10	27.40	22.50	21.20
12	32.40	27.50	
15	39.90	35.00	6.20

Fully Loaded

Ordering Information

C SGA106 - XX XX A 002 A 4 N X

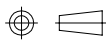
No. Of Pins Per Row: 02~15
Standard Plating: 97=100~200u" Bright tin over 50~100u" Ni underplate overall.
Color: 4=Natural
Standard Packing: B=Tray



Website:www.greenconn.com
E-mail:sales@greenconn.com

REV. A UNIT. mm SCALE. 5:2

3RD.ANG PROJ.



PAGE. 1/1

GENERAL TOLERANCE

X.*±5.0°	X.±0.30
.X*±3.0°	.X±0.25
.XX*±2.0°	.XX±0.15
.XXX*±1.0°	.XXX±0.10

DESIGNED:

DATE:

CHECKED:

DATE:

APPROVED:

DATE:

DWG. NO.

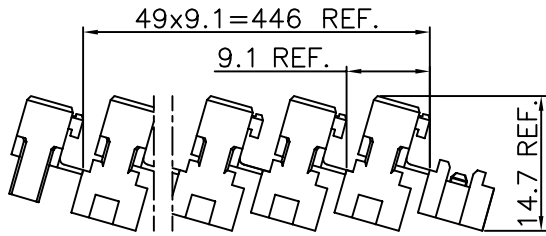
CSGA106-CA2AN

PART NO.

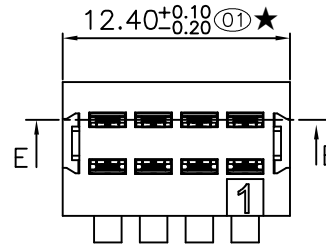
CSGA106-XXXXA002A4NX

TITLE.

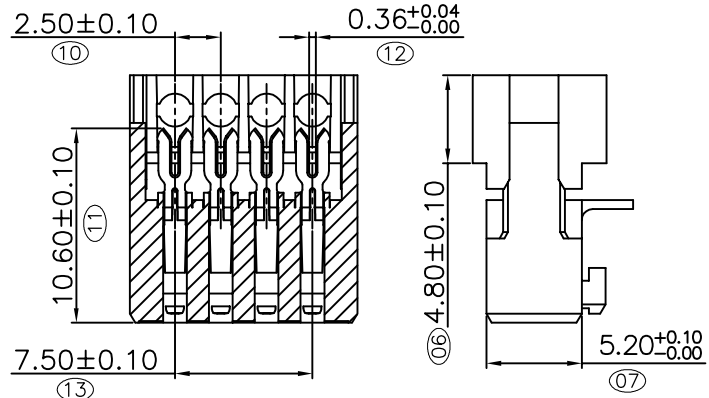
RASTLink 2.5mm
Single Row
Female Connector



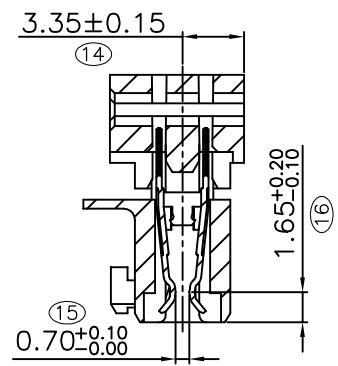
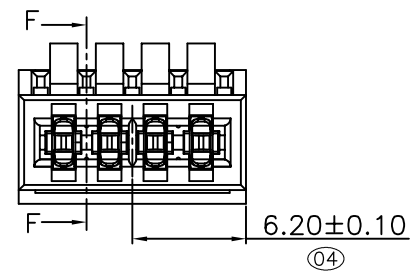
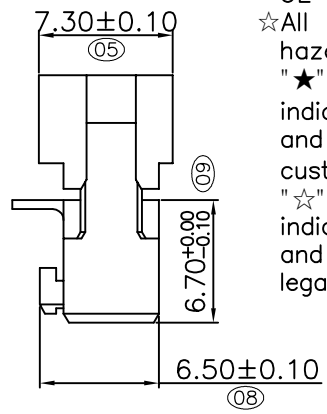
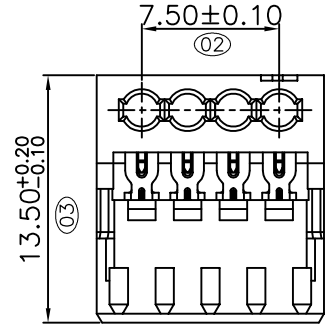
Shipping Arrangement: 50 sets per strip
Shipped in carton box



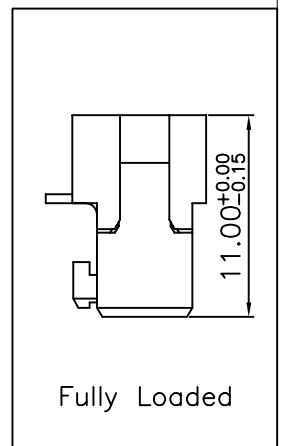
Specifications
 Current Rating: 2.0Amp
 Insulation Resistance: 1000MΩMin.
 Dielectric Withstanding Voltage: 500VAC
 Contact Resistance: 10mΩMax.
 Operating Temperature: -40°C to +130°C
 Materials
 Contact Material: Phosphor Bronze
 Insulator Material: Thermoplastic, UL 94V-0 PBT or the equivalent material
 ☆ All materials must meet Greenconn hazardous substances control standards.
 "★": Critical Characteristics.
 indicates product characteristics, functionalities, and manufacturing processes regarding to customer's specifications
 "☆": Safety Features
 indicates product characteristics, functionalities, and manufacturing processes complying to legal regulations stated by local government



SECTION E-E



SECTION F-F



Fully Loaded

Ordering Information

C SGA106 - XX XX A 003 A 4 N X

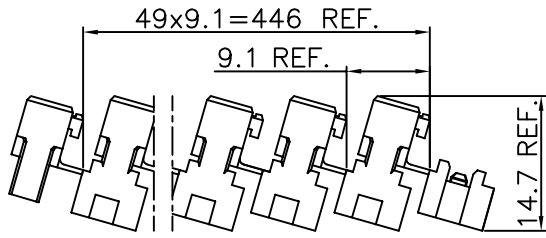
No. Of Pins Per Row: 04
 Standard Plating: 97=100~200u" Bright tin over 50~100u" Ni underplate overall.
 Color: 4=Natural
 Standard Packing: B=Tray

3RD.ANG PROJ.		GENERAL TOLERANCE	
X.*±5.0'	X.±0.30	.X.*±3.0'	.X±0.25
.XX.*±2.0'	.XX±0.15	.XXX.*±1.0'	.XXX±0.10

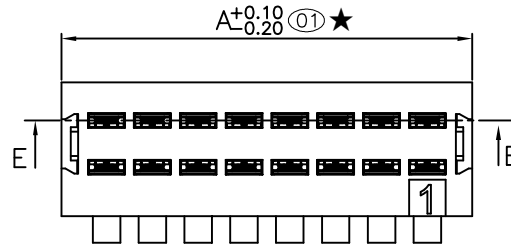
DESIGNED:	DATE:
CHECKED:	DATE:
APPROVED:	DATE:

DWG. NO.	CSGA106-CA3AN
PART NO.	CSGA106-04XXA003A4NX

TITLE.	RASTLink 2.5mm Single Row Female Connector
--------	--



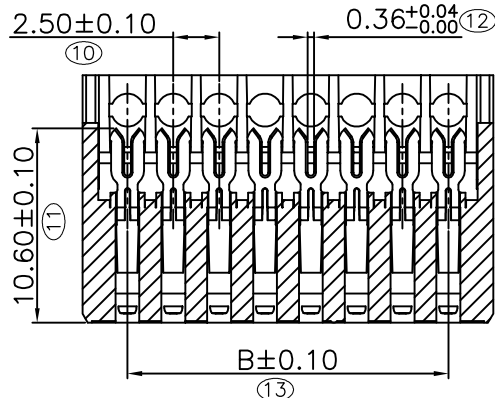
Shipping Arrangement: 50 sets per strip
Shipped in carton box



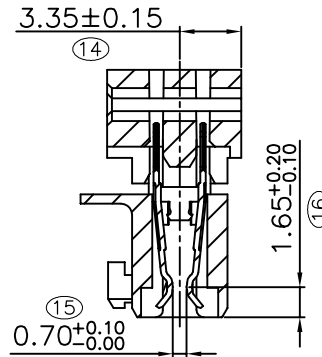
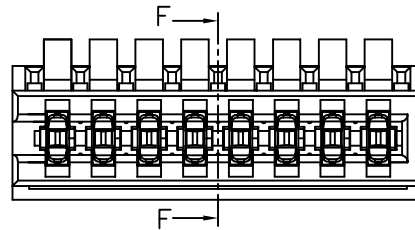
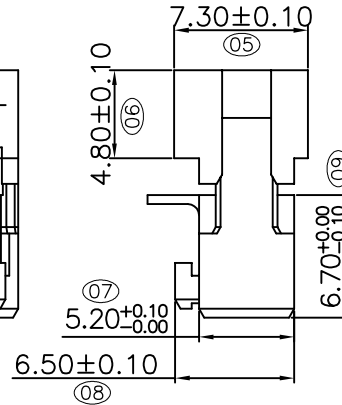
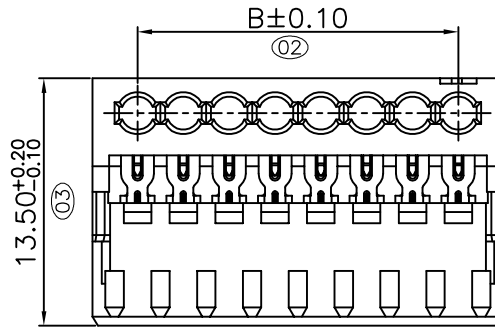
Specifications
 Current Rating:2.0Amp
 Insulation Resistance:1000MΩMin.
 Dielectric Withstanding Voltage:500VAC
 Contact Resistance:10mΩMax.
 Operating Temperature:-40°C to +130°C
 Materials

Contact Material:Phosphor Bronze
 Insulator Material:Thermoplastic,
 UL 94V-0 PBT or the equivalent material
 ☆All materials must meet Greenconn
 hazardous substances control standards.
 "★": Critical Characteristics.

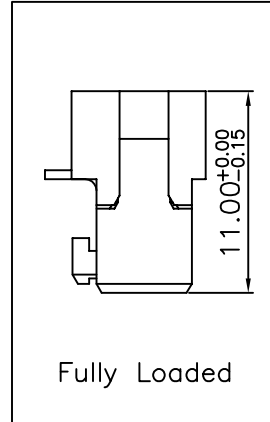
indicates product characteristics, functionalities,
 and manufacturing processes regarding to
 customer's specifications
 "☆": Safety Features
 indicates product characteristics, functionalities,
 and manufacturing processes complying to
 legal regulations stated by local government



SECTION E-E



SECTION F-F



Fully Loaded

Pin NO.	A	B
02	7.40	2.50
03	9.90	5.00
04	12.40	7.50
05	14.90	10.00
06	17.40	12.50
07	19.90	15.00
08	22.40	17.50
09	24.90	20.00
10	27.40	22.50
11	29.90	25.00
12	32.40	27.50
13	34.90	30.00
14	37.40	32.50
15	39.90	35.00

Ordering Information

C SGA106 - XX XX A 004 A 4 N X

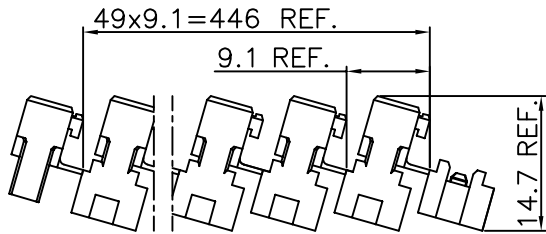
No. Of Pins Per Row: 02~15
 Standard Plating: 97=100~200u" Bright tin over
 50~100u" Ni underplate overall.
 Color: 4=Natural
 Standard Packing: B=Tray

3RD.ANG PROJ.		GENERAL TOLERANCE	
X.*±5.0'	X.±0.30	.X.*±3.0'	.X.±0.25
.XX.*±2.0'	.XX.±0.15	.XXX.*±1.0'	.XXX.±0.10

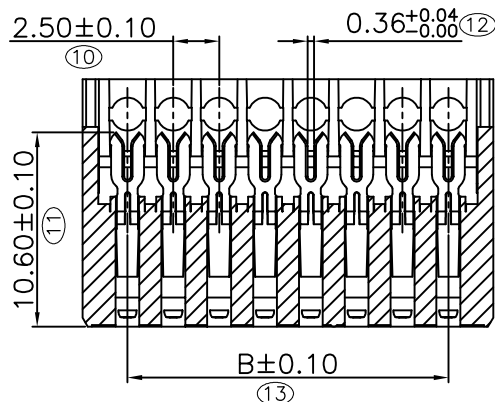
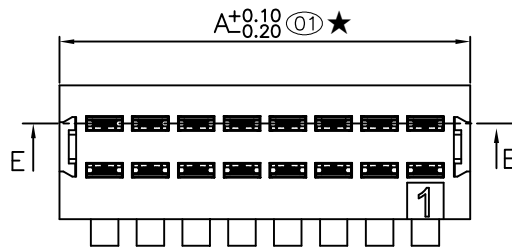
DESIGNED:	DATE:
CHECKED:	DATE:
APPROVED:	DATE:

DWG. NO. CSGA106-CA4AN
 PART NO. CSGA106-XXXXA004A4NX

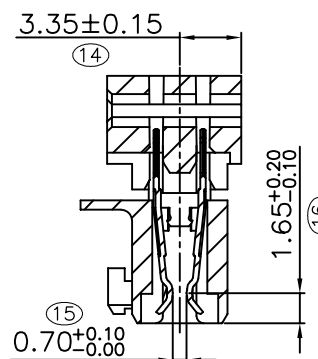
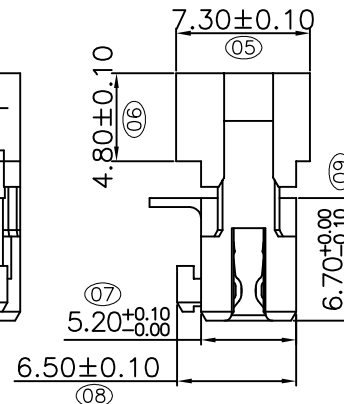
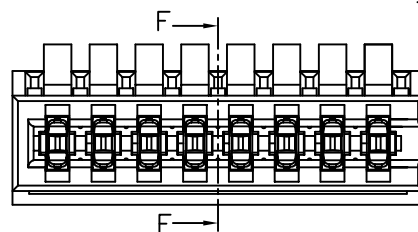
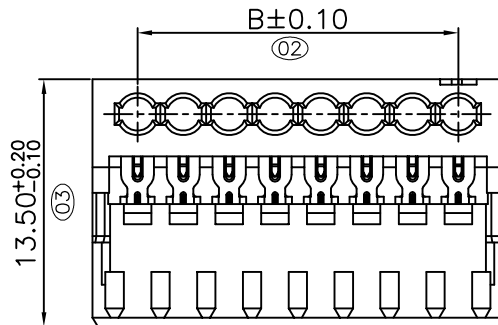
TITLE. RASTLink 2.5mm Single Row Female Connector



Shipping Arrangement: 50 sets per strip
Shipped in carton box



SECTION E-E



SECTION F-F

Specifications
Current Rating:2.0Amp
Insulation Resistance:1000MΩMin.
Dielectric Withstanding Voltage:500VAC
Contact Resistance:10mΩMax.
Operating Temperature:-40°C to +130°C
Materials

Contact Material:Phosphor Bronze
Insulator Material:Thermoplastic,
UL 94V-0 PBT or the equivalent material

★All materials must meet Greenconn hazardous substances control standards.
"★": Critical Characteristics.

indicates product characteristics, functionalities, and manufacturing processes regarding to customer's specifications

"☆": Safety Features
indicates product characteristics, functionalities, and manufacturing processes complying to legal regulations stated by local government

Ordering Information

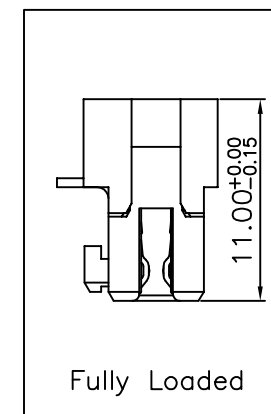
C SGA106 - XX XX A 005 A 4 N X

No. Of Pins Per Row
02~15

Standard Plating
97=100~200u" Bright tin over
50~100u" Ni underplate overall.

Color
4=Natural

Standard Packing
B=Tray



Fully Loaded

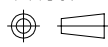
Pin NO.	A	B
02	7.40	2.50
03	9.90	5.00
04	12.40	7.50
05	14.90	10.00
06	17.40	12.50
07	19.90	15.00
08	22.40	17.50
09	24.90	20.00
10	27.40	22.50
11	29.90	25.00
12	32.40	27.50
13	34.90	30.00
14	37.40	32.50
15	39.90	35.00



Website:www.greenconn.com
E-mail:sales@greenconn.com

REV. A UNIT. mm SCALE. 5:2

3RD.ANG PROJ.



PAGE. 1/1

GENERAL TOLERANCE

X.*±5.0'	X.±0.30
.X*±3.0'	.X±0.25
.XX*±2.0'	.XX±0.15
.XXX*±1.0'	.XXX±0.10

DESIGNED:

DATE:

CHECKED:

DATE:

APPROVED:

DATE:

DWG. NO.

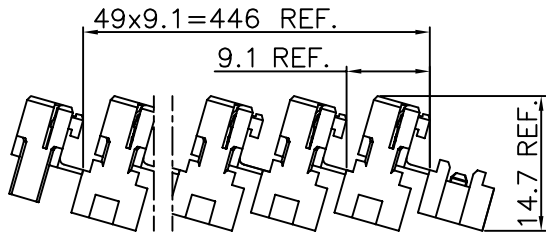
CSGA106-CA5AN

PART NO.

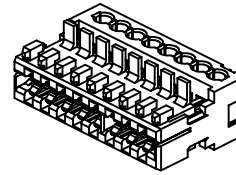
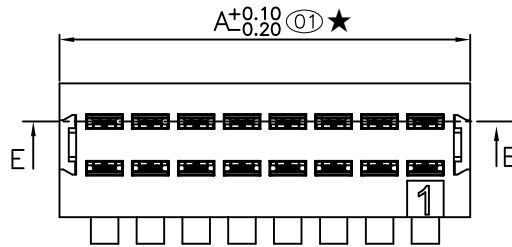
CSGA106-XXXXA005A4NX

TITLE.

RASTLink 2.5mm
Single Row
Female Connector



Shipping Arrangement: 50 sets per strip
Shipped in carton box



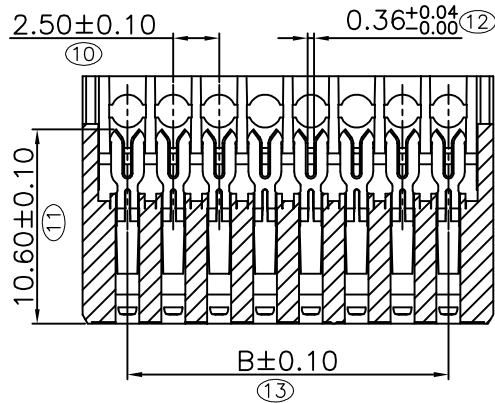
Specifications
Current Rating:2.0Amp
Insulation Resistance:1000MΩMin.
Dielectric Withstanding Voltage:500VAC
Contact Resistance:10mΩMax.
Operating Temperature:-40°C to +130°C
Materials

Contact Material:Phosphor Bronze
Insulator Material:Thermoplastic,
UL 94V-0 PBT or the equivalent material

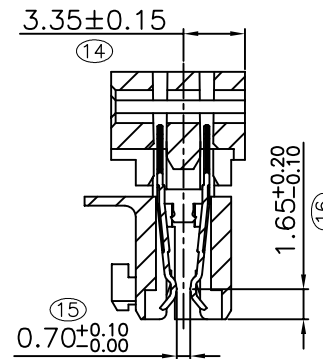
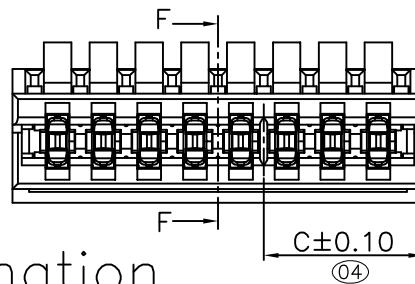
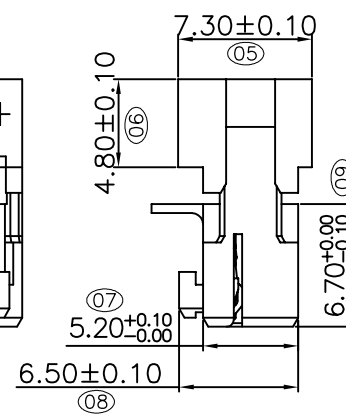
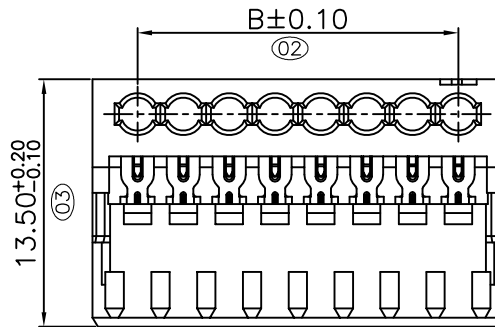
☆All materials must meet Greenconn
hazardous substances control standards.
"★": Critical Characteristics.

indicates product characteristics, functionalities,
and manufacturing processes regarding to
customer's specifications

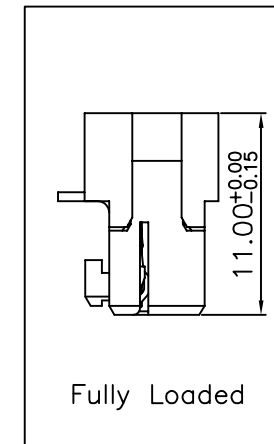
"☆": Safety Features
indicates product characteristics, functionalities,
and manufacturing processes complying to
legal regulations stated by local government



SECTION E-E



SECTION F-F



Fully Loaded

Pin NO.	A	B	C
03	9.90	5.00	3.70
08	22.40	17.50	6.20

Ordering Information

C SGA106 - XX XX A 006 A 4 N X

No. Of Pins Per Row
02~15

Standard Plating
97=100~200u" Bright tin over
50~100u" Ni underplate overall.

Color
4=Natural

Standard Packing
B=Tray

Greenconn
Website:www.greenconn.com
E-mail:sales@greenconn.com

3RD.ANG
PROJ.
PAGE. 1/1

GENERAL TOLERANCE	
X.*±5.0'	X.±0.30
.X*±3.0'	.X±0.25
.XX*±2.0'	.XX±0.15
.XXX*±1.0'	.XXX±0.10

DESIGNED:
CHECKED:
APPROVED:

DATE:
DATE:
DATE:

DWG. NO.
CSGA106-CA6AN
PART NO.
CSGA106-XXXXA006A4NX

TITLE.
RASTLink 2.5mm
Single Row
Female Connector