

## Data sheet

### Modul wall outlet AP 1 port pure white unequipped

Page 1/5

P/N

1309140002-E

EAN 4250184105879

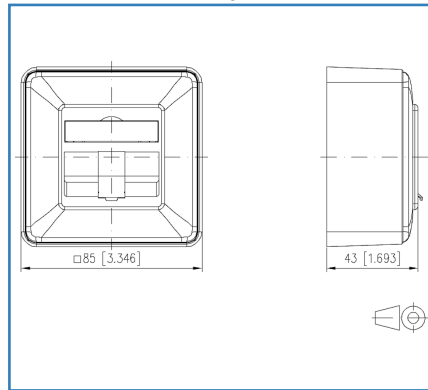
2019/06/19

Version: Q

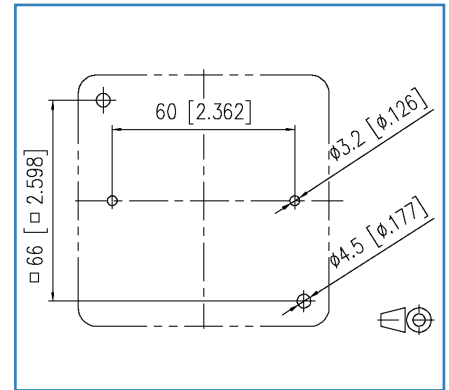
## Illustrations



Dimensional drawing



Cut-out



See enlarged drawings at the end of document

## Product specification

- surface-mounted termination unit 85 x 85 x 35 mm for individual modules with "modul" design (please note: C6<sub>A</sub>modul and E-DAT modul coupler 8(8) do not fit)
- module plug direction 45° downwards
- strain relief on module
- with label window for enclosed identification labels
- label sheet 209 x 294 mm see accessory
- integrated dust protection covers (also colored)
- cover parts in pure white RAL 9010 or pearl white RAL 1013; structured surface with matt finish
- variants: 1 port, 2 ports, 3 ports - color variants: pure white and pearl white



## Modul wall outlet AP 1 port pure white unequipped

P/N

1309140002-E

EAN 4250184105879

2019/06/19

Version: Q

### Technical Data

#### General Data

Fields of application	Office
Design	wall outlet
Mounting style	surface mount
Color	Pure white
Dimensions	
Dimension	43 mm x 85 mm x 85 mm
Dimension	1.693 in. x 3.346 in. x 3.346 in.
Modularity	yes
Labeling option	label window with identification label
Marking option	by dust protection

#### Connections/interfaces

Number of ports interface 2	1
Number of ports interface 2 equipped	0
Module plug-in direction	45° downwards

#### Mechanical characteristics

Cut-out	module
strain relief	attached to module

#### Materials and material properties

Material - Supporting frame	GD-Zn (zinc die-cast)
Material - Surface mount frame	ABS, impact resistant
Material - Label window	ABS, transparent
RoHS	compliant

#### Classifications

ETIM 5.0	EC001264
ETIM 6.0	EC001264
ETIM 7.0	EC001264

## Modul wall outlet AP 1 port pure white unequipped

P/N

1309140002-E

EAN 4250184105879

2019/06/19

Version: Q

### Technical Data

#### Packing details

Type of packaging	10 pc(s) / box
Packaging unit - Weight (gram)	1110 g
Packaging unit - Weight (pound)	2.45 lb
Packaging dimension	340 mm x 266 mm x 126 mm
Packaging dimension	13.386 in. x 10.472 in. x 4.961 in.

**Modul wall outlet AP 1 port pure white unequipped**

P/N

1309140002-E

EAN 4250184105879

2019/06/19

Version: Q

**Accessories**

P/N	Designation
130829-02-I	Surface mount frame 85 x 85 mm - Single, pure white
130910-I	E-DAT modul Cat.6 <sub>A</sub> 8(8) jack, T568A
130910-I-B1	E-DAT modul Cat.6 <sub>A</sub> 8(8) jack, T568B
130910-Z	E-DAT modul Cat.6 <sub>A</sub> 8(8) jack, T568A (12 pcs)
820394-0105-I	Dust protection covers for wall outlets yellow
820394-0106-I	Dust protection covers for wall outlets blue
820394-0107-I	Dust protection covers for wall outlets green
820394-0108-I	Dust protection covers for wall outlets red
820395-0102-I	Cover plate for E-DAT modul and E-DAT design (matt) wall outlets, pure white
899650-01	Label sheet for wall outlets



