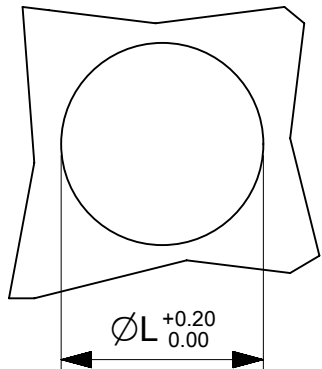
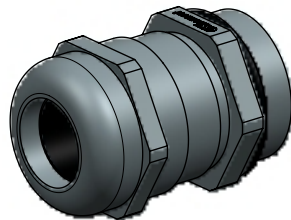


FORATURA PANNELLO
PANEL DRILLING



ØL
mm
20.7



SCALE 1:1

SYMBOLS	THIS DRAWING CONTAINS INFORMATION THAT IS PROPRIETARY TO MOLEX ELECTRONIC TECHNOLOGIES, LLC AND SHOULD NOT BE USED WITHOUT WRITTEN PERMISSION																
	DIMENSION UNITS		SCALE		CURRENT REV DESC:												
∇ = 0	mm	2:1		EC NO: 170943						7000.6826.0							
∇ = 0	GENERAL TOLERANCES (UNLESS SPECIFIED)			DRWN: AKHEMIRI 2018/01/17						METAL CABLE GLAND IP68 5 BAR WITH GASKET							
∇ = 0	ANGULAR TOL ± °			CHK'D: DMERONI 2018/01/17						PG13.5							
∇ = 0	4 PLACES ±			APPR: AMELZI 2018/01/19						PRODUCT CUSTOMER DRAWING							
∇ = 0	3 PLACES ±			INITIAL REVISION:						DOCUMENT NUMBER							
∇ = 0	2 PLACES ±			DRWN: AKHEMIRI 2018/01/11						936000014							
∇ = 0	1 PLACE ±			APPR: AMELZI 2018/01/19						PSD 000 A							
∇ = 0	0 PLACES ±			DRAFT WHERE APPLICABLE MUST REMAIN WITHIN DIMENSIONS		FIRST ANGLE PROJECTION		DRAWING		SERIES		MATERIAL NUMBER		CUSTOMER		SHEET NUMBER	
∇ = 0					A4-SIZE		93600		936000014		GENERAL MARKET		1 OF 1				

DOCUMENT STATUS	P1	RELEASE DATE	2018/01/19	12:05:46
-----------------	----	--------------	------------	----------