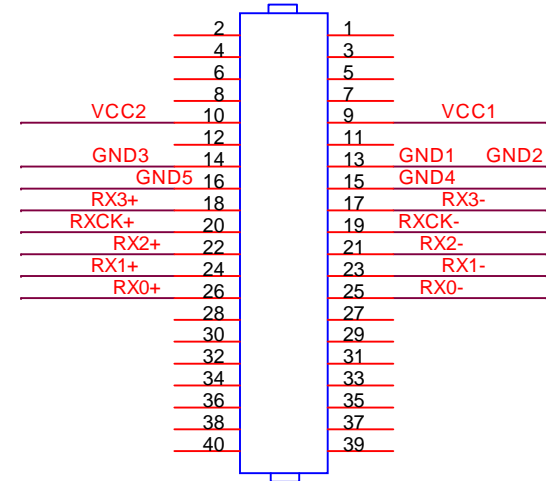
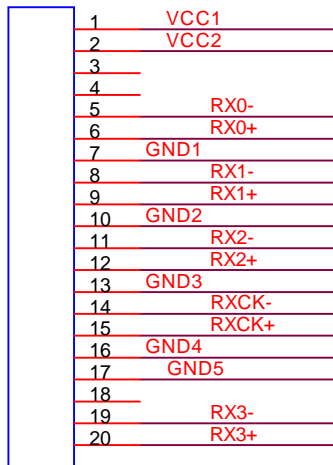


STM-P24013P20  
(DF19)

P= 2.0 20X2 PIN header (杜邦)



L : 300 MM

PN # AUG084G1042RTD

pin40 (20X2)



pin1 (20X2)

Title		
<Title>		
Size	Document Number	Rev
A	<Doc>	<RevCode>
Date:	Friday, July 15, 2016	Sheet 1 of 1