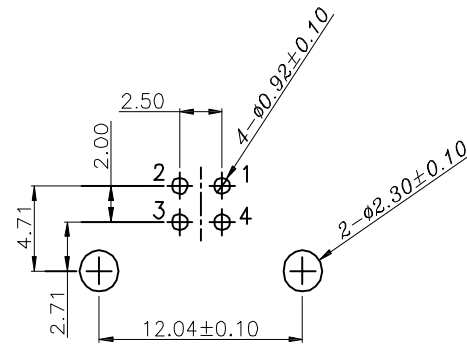
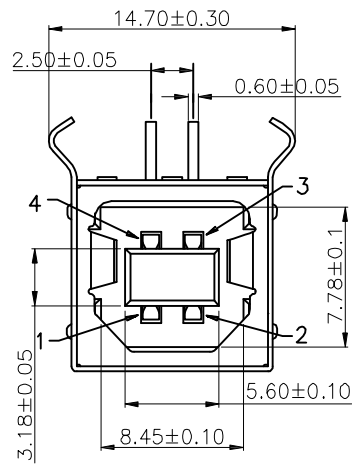
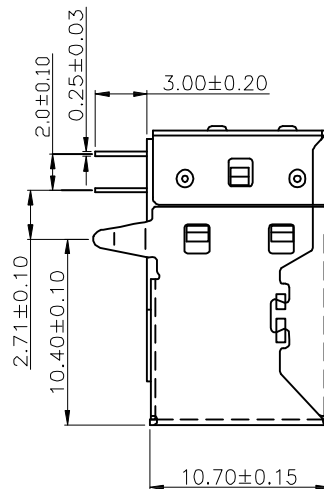
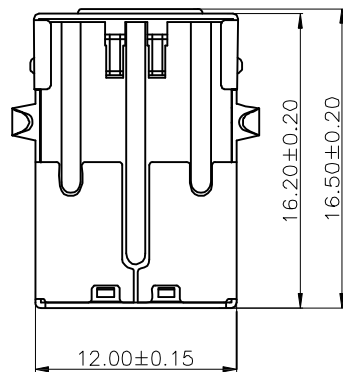


REV.	LOCAS.	DESCRIPTION	DATE	DRAWN
A	NEW	INTERIM INITIAL RELEASE.	2020.11.20	钟建虾



PCB LAYOUT



MATERIAL

1. INSULATOR: PBT(UL94V-0),
2. CONTACT: BRASS, PLATING SEE PART NUMBER
3. SHELL: BRASS&SPCC
4. COVER: SPCC,

SPECIFICATIONS:

1. CURRENT RATING: 1.5A AC,DC.
2. VOLTAGE RATING: 30V AC,DC.
3. CONTACT RESISTANCE:30MΩ MAX.
4. INSULATION RESISTANCE:1000Ω MIN.
5. WITHSTANDING VOLTAGE:500V AC/MINUTE.
6. TEMPERATURE RANGE: -50°C ~ +85°C.

Ordering Information

C UGB203 - 04 XX A 001 A X Z X-Y4

No.of Pins
04

Standard Plating
05=Gold Flash/Tin
Selective Plating
64=Gold 3u"/Tin
.....

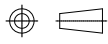
Color
1=Black
2=White
...

Standard Packing
B=Tray



Website:www.greenconn.com
E-mail:sales@greenconn.com

3RD.ANG
PROJ.



PAGE. 1/1

GENERAL TOLERANCE

X.*±5.0°	X.±0.30
.X*±3.0°	.X±0.25
.XX*±2.0°	.XX±0.15
.XXX*±1.0°	.XXX±/

DESIGNED: 钟建虾

DATE: 2020.11.20

CHECKED:

DATE:

APPROVED:

DATE:

DWG. NO.

CUGB203-CA1AZ

PART NO.

CUGB203-04XXA001AXZX-Y4

TITLE.

USB BF 90°插板有後蓋
(改後後蓋)

REV.	UNIT.	SCALE.
A	mm	1:1