

BTP-MCW Product Series

Technical Datasheet

Product Name: Touch Foil, 21.5 inch

- Technical Specifications:

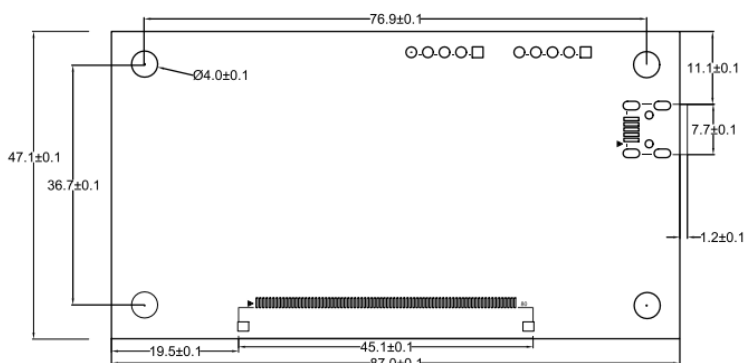
Part No.:	BTP-MCW-TFS-19-STM (SNT-MCW-TFS-19-STM)
BOM Code:	1.11.190.01.0000
Project Code:	M190S
Structure:	Film+Micro Copper Wire+Film
Copper Wire Diameter:	15 microns
Base Material:	PET Film
Controller IC:	STM
Driver Type:	Driver-free, plug-n-play
Communication Interface:	USB2.0/3.0
Working Voltage:	5V
Standard USB Cable Length:	1,500mm
Thru-Glass Capability:	Max. 10mm
Screen Ratio:	5:4
Foil Size:	402*324mm
Active Area:	379*303mm
Controller Size:	87*47mm
FPC direction:	Short side
Light Transmittance	≥89%
Lamination Method:	Wet Lamination (OCA)
Lamination Substrate:	Glass/Acrylic/PMMA or other non-metallic material
Inductive method	Improved projected capacitive technology
Touch accuracy	±1mm
Touch Points	1~10 points (adjustable)
Calibration method	Automatic
Response time	<10ms
Frame scan frequency	120FPS
Lifetime	9 Years

Touch the World
让触摸感动世界

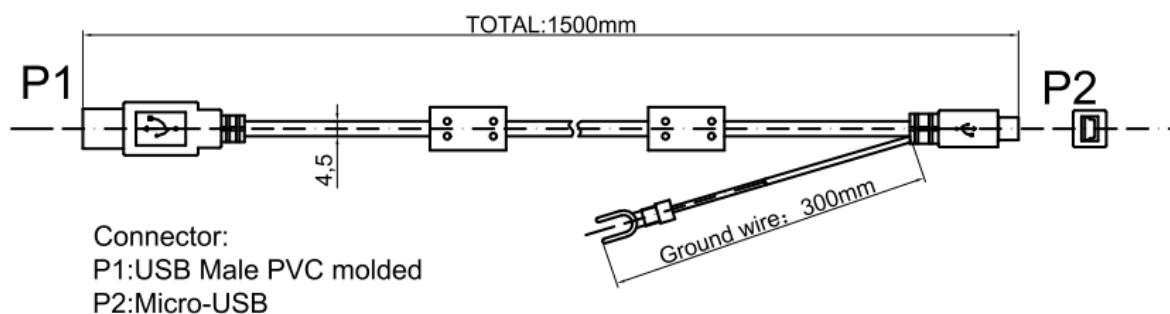
Temperature Range	-15°C to +75°C
Working Environment	0~95%RH (Unaffected by condensation)
OS compatibility	Windows XP ,Windows 7,Windows 8 Windows10(32 / 64)
	MAC OS X Lion
	Linux (Kernel version above 3.8)
	Above Android 4.0 (Kernel version above 3.1)
EMC	EN 61000-6-1:2007, EN 61000-6-3:2007+A1:2011
Power Consumption	<0.5W

*This device complies with Part 15 of the FCC Rules Operation is subject to the following two conditions:(1)this device may not cause harmful interference, and (2)this device must accept any interference received, including interference that may cause undesired operation.

- Controller:
STM



- USB Cable:



Remarks:

All datasheets are drafted by SINOTELECTRONICS BTP product team, in case of any technical support needed, please feel free to contact our service team or sales in charge, or you can directly email us:

service@sinotronics.com

info@sinotronics.com

www.sinotronics.com

