

FEATURES

1. AC input 180~264VAC
2. Withstand 300VAC surge input for 5 second
3. Protections:Short circuit /Overload /Over voltage/Over temperature
4. Built-in cooling Fan ON-OFF control
5. 1U low profile 40.5mm
6. Forced air cooling by built-in DC fan
7. 100% full load burn-in test
8. LED indicator for power on
9. High reliability
10. 3 years warranty



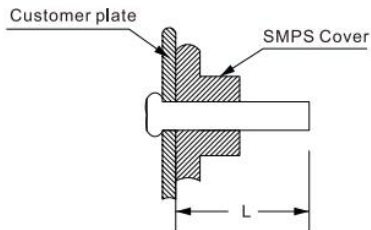
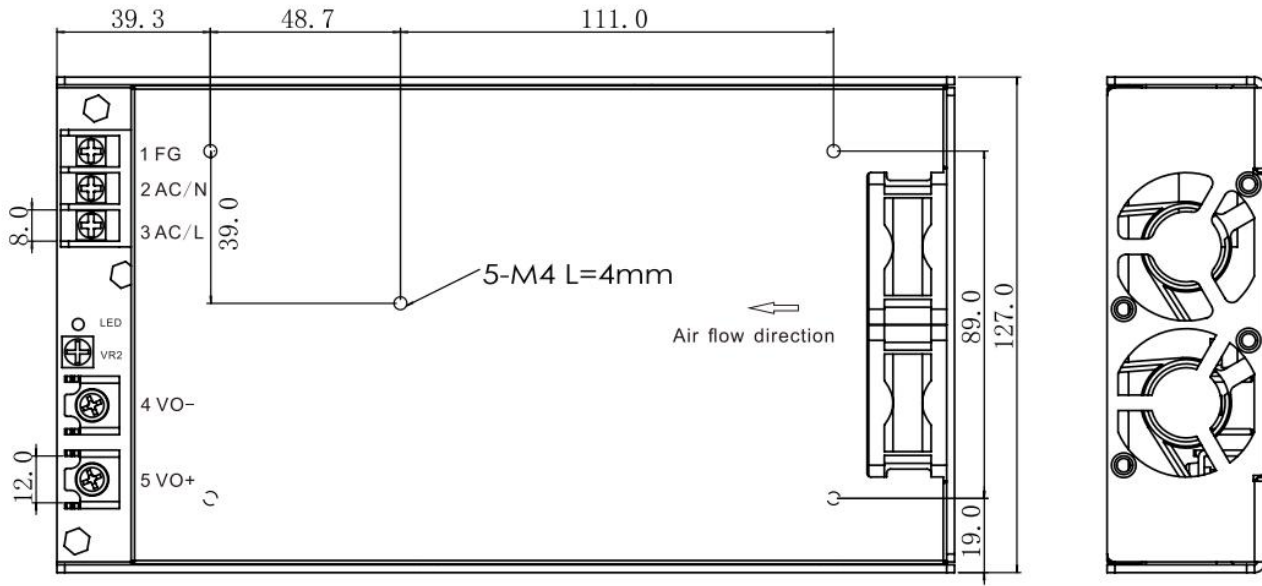
**3 years
Warranty**

Specification

MODEL		RAM1000-24	RAM1000-36	RAM1000-48
INPUT	VOLTAGE RANGE	180~264VAC 240~370Vdc(refer to 'static characteristic')		
	FREQUENCY RANGE	47~63Hz		
	EFFICIENCY(Typ.)	89.5%	90%	91%
	AC CURRENT(Typ.)	11A/230VAC		
	INRUSH CURRENT(Typ.)	20A/230VAC (cold start)		
	LEAKAGE CURRENT	<2mA/240VAC		
OUTPUT	DC VOLTAGE	24V	36V	48V
	RATED CURRENT	41.6A	27.7A	20.8A
	CURRENT RANGE	0~41.6A	0-27.7A	0~20.8A
	RATED POWER	998.4W	997.2W	998.4W
	RIPPLE&NOISE(max.)	240mVp-p	300mVp-p	360mVp-p
	VOLTAGE ADJ.RANGE	22.8~30V	34.2~39.6V	45.6~52.8V
	VOLTAGE TOLERANCE	±1%	±1%	±1%
	LINE REGULATION	±0.5%	±0.5%	±0.5%
	LOAD REGULATION	±1%	±1%	±0.5%
	SETUP.RISE TIME	1500ms,150ms/230VAC		
	HOLD UP TIME(Typ.)	14ms/230VAC		
PROTECTION	OVER LOAD	105%~140% rated output power Protection type:constant current>3S,shutdown,recovers automatically after repower on		
	OVER VOLTAGE	27.6~36V	42~54V	56.6~66.2V
	OVER TEMPERATURE	Protection type:Shutdown,recovers automatically after temperature goes down		
FUNCTION	FAN ON/OFF CONTROL(Typ.)	RTH2≥50°C FAN ON,≤40°C FAN OFF		
ENVIRONMENT	WORKING TEMP,HUMIDITY	-20~+70°C(Refer to"Derating curve"),20~90%RH non-condensing		
	STORAGE TEMP,HUMIDITY	-40~+85°C,10~95%RH		
	TEMP.COEFFICIENT	±0.03%/°C(0~50°C)		
	VIBRATION	10~500Hz,2G 10min./1 cycle,each along X、Y、Z axes		

Safety and electromagnetic compatibility	Safety standards	Refer to UL62368-1,TUV EN62368-1,CCC GB4943.1			
	Withstand voltage and isolation resistance	I/P-O/P:3KVac;100MΩ/500Vdc		/25°C/70%RH	
		I/P-FG:2KVac;100MΩ/500Vdc		/25°C/70%RH	
		O/P-FG:0.5KVac;100MΩ/500Vdc		/25°C/70%RH	
	Electromagnetic	Parameter	Standard	Test Level /Note	
		Conducted emission	BS EN/EN55032(CISPR32),FCC PART 15/CISPR22,GB9254.1		Class A
		Radiated emission	BSEN/EN55032(CISPR32),FCC PART 15/CISPR22,GB9254.1		Class A
		Harmonic current	BS EN/EN61000-3-2,GB17625.1		Dos not meet
		Voltage flicker	BS EN/EN61000-3-3		
	Electromagnetic compatibility immunity	BS EN/EN55035			
		Parameter	Standard	Test Level /Note	
		ESD	BS EN/EN61000-4-2		Level 4,8KV air,Level 2,4KV contact,criteria A
		RF field susceptibility	BS EN/EN61000-4-3		Level 3,criteria A
		EFT bursts	BS EN/EN61000-4-4		Level 3,criteria A
		Surge susceptibility	BS EN/EN61000-4-5		Level 3,1KV/L-N,2KV/L/N-FG criteria A
Conducted susceptibility		BS EN/EN61000-4-6		Level 3,criteria A	
Magnetic field immunity		BS EN/EN61000-4-8		Level 4,criteria A	
	Voltage dips and interruptions	BS EN/EN61000-4-11		>95% dip 0.5 periods,30% dip 25 periods,>95% interruptions 250 periods	
OTHERS	MTBF	≥200Khrs MIL-HDBK-217F(25°C)			
	DIMENSION	230*127*40.5mm(L*W*H)			
	PACKING	1.3Kg;9pcs/12.7Kg/0.66CUFT			
NOTE	<ol style="list-style-type: none"> All parameters NOT specially mentioned are measured at 230VAC input,rated load and 25°C of ambient temperature Ripple & noise are measured at 20MHz of bandwidth by using a 12"twisted pair-wire terminated with a 0.1uF&47uF parallel capacitor Tolerance:includes set up tolerance,line regulation and load regulation. Line regulation is measured from low line to high line at rated load. Load regulation is measured from 0% to 100% rated load Length of set up time is measured at cold first start,Turning ON/OFF the power supply very quickly may lead to increase of the set up time. The ambient temperature derating of 5°C/1000m is needed for operating altitude great than 2000m(6500ft) The power supply is considered a component which will be installed into a final equipment. All the EMC tests are been executed by mounting the unit on a 360mm*360mm metal plate with 1mm of thickness.The final equipment must be re-confirmed that it still meets EMC directives 				

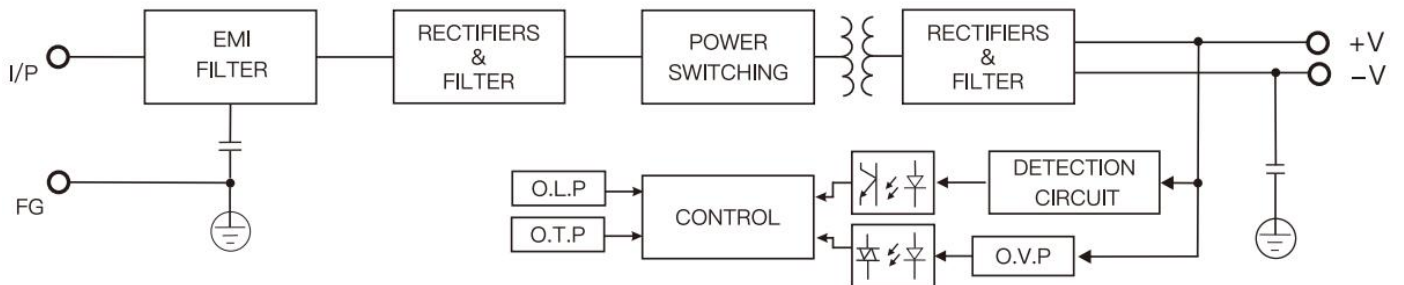
Mechanical specification



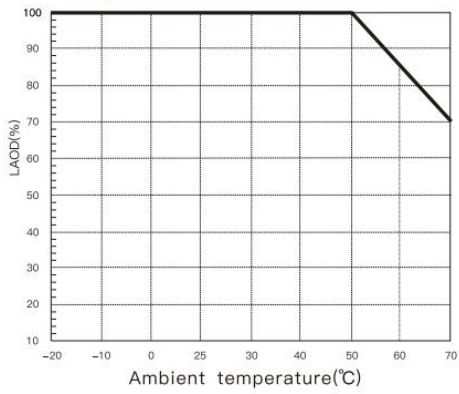
NOTE:
Unit: mm
ADJ: Output adjustable resistor
Torque: M3.5, 0.8N · m Max
TOL: ±1.00

Pin No.	Assignment
1	FG
2	AC/N
3	AC/L
4	DC output -V
5	DC output +V

Block diagram



Derating curve



Static characteristics

