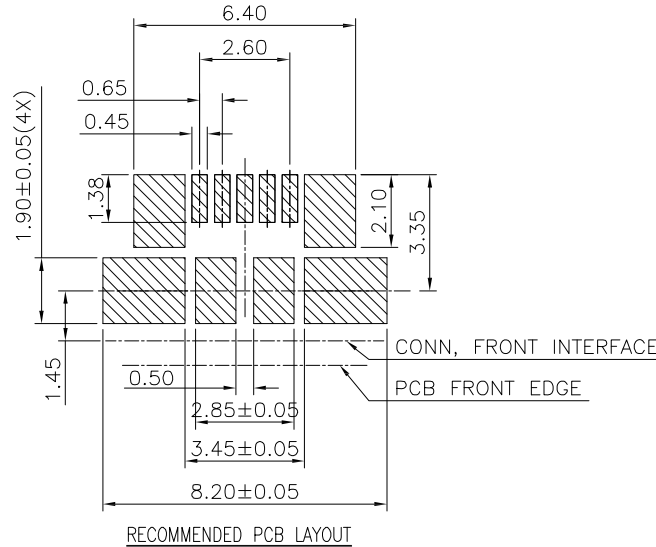
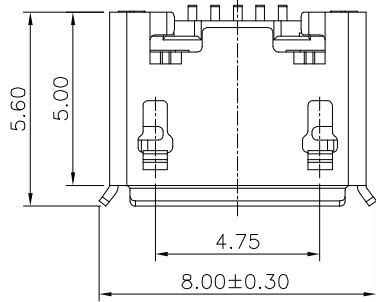
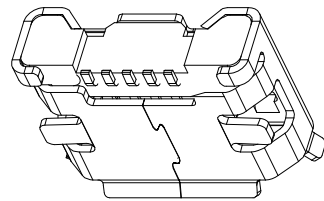
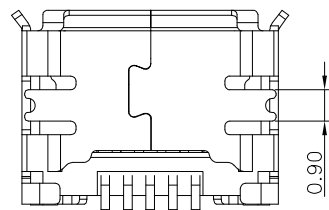
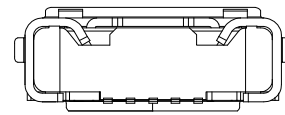
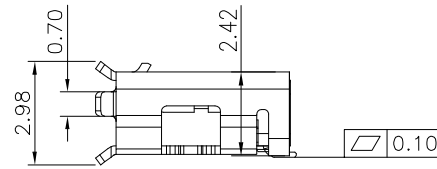
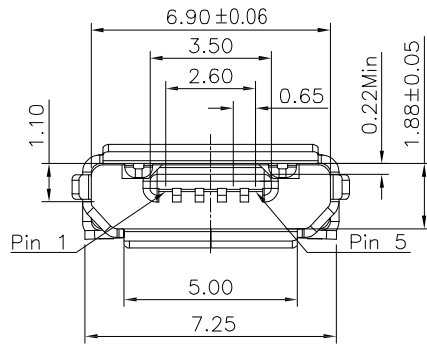


REV.	LOCAS.	DESCRIPTION	DATE	DRAWN
01	NEW	BATCH PRODUCTION INITIAL RELEASE.	2020.12.23	钟建虾



SPECIFICATION:
 CURRENT RATING: VBUS & GND PINS:1.8A MAX.
 OTHER PINS: 0.5A MAX.
 INSULATION RESISTANCE: 100MΩ MIN
 CONTACT RESISTANCE: 30 MILLIONHM MAX
 DIELECTRIC WITHSTAND VOLTAGE,AC 100V FOR 1 MINUTE.
 Contact Material: Brass
 Insulator Material:High Temperature Thermoplastic, UL 94V-0 LCP or the equivalent material
 All materials must meet GREENCONN hazardous substances control standards .



Ordering Information

C UZD182 - 05 XX A 001 C X Z X -C8

No. of Pins: 05
 Standard Plating: 02=Gold Flash, Selective Plating, 05=Gold Flash/Tin
 Color: 1=Black
 Standard Packing: D=Tape&Reel



3RD.ANG PROJ.

 PAGE. 1/1

GENERAL TOLERANCE	
X'±3.0'	X.±/
.X'±2.0'	.X±0.30
.XX'±1.5'	.XX±0.25
.XXX'±1.0'	.XXX±/

DESIGNED: 钟建虾 DATE: 2020.12.23
 CHECKED: 李全蔡 DATE: 2020.12.23
 APPROVED: 方秋香 DATE: 2020.12.23

DWG. NO. CUZD182-CA1CZ
 PART NO. CUZD182-05XXA001CXZX-C8

TITLE. MICRO USB 5P 四脚平
 贴无柱有卷边

REV.	UNIT.	SCALE.
01	mm	1:1