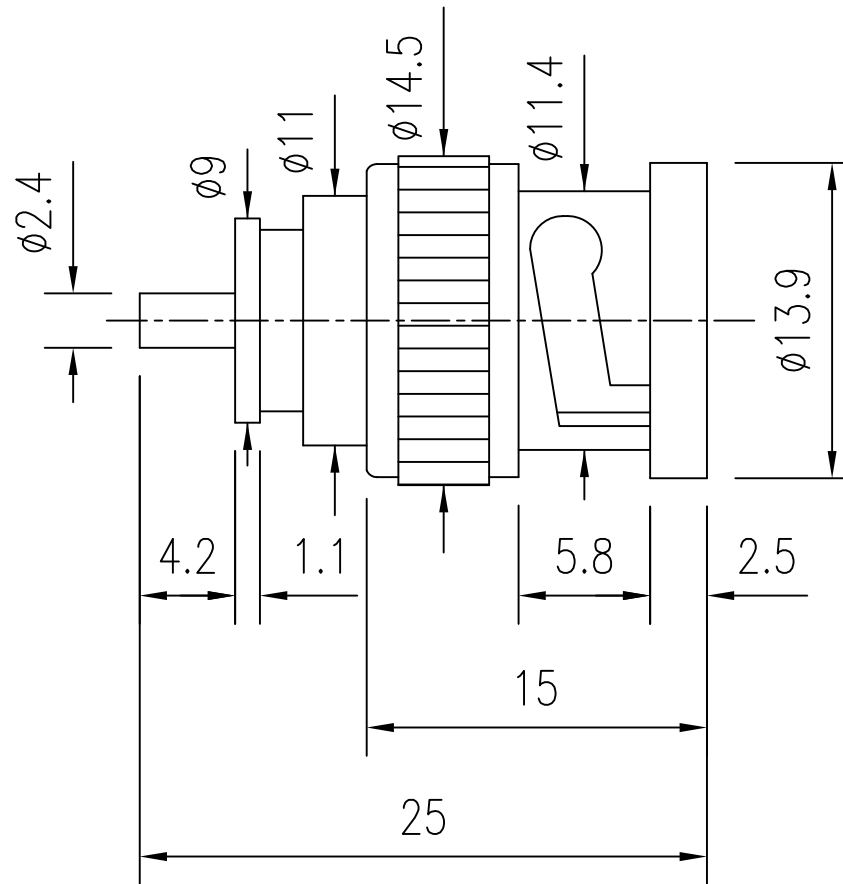
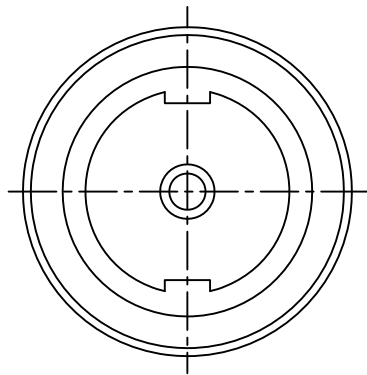


TL4288-BDNG: BNC MALE MOLDED



UNLESS OTHERWISE SPECIFIED
 GENERAL TOLERANCES
 0.5~6 = ± 0.3
 >6~30 = ± 0.6
 >30~120 = ± 0.8

同利企業有限公司
TELE LONG ENTERPRISE CO.,LTD.
 益城企業有限公司
YEE-CHENG ENTERPRISE CO.,LTD.

E-mail: rayyang@seed.net.tw

NO.	DESCRIPTION		QTY	MATERIAL	SPECIFICATION	REMARK
DRAW BY	CHUN	102511	SCALE	3 : 1	PROJ	ITEM NO. TL4288-BDNG
DEGN BY	YANG		UNIT	MM		TITLE BNC MALE MOLDED
APPD BY	RAY					DWG NO. TL4288-BDNG-TNS01-A1